



AMD SB820M Southbridge Databook

Publication # **47283** Revision: **2.10**

Issue Date: **Dec 2010**

© 2010 Advanced Micro Devices, Inc. All rights reserved.

The contents of this document are provided in connection with Advanced Micro Devices, Inc. (“AMD”) products. AMD makes no representations or warranties with respect to the accuracy or completeness of the contents of this publication and reserves the right to make changes to specifications and product descriptions at any time without notice. The information contained herein may be of a preliminary or advance nature and is subject to change without notice. No license, whether express, implied, arising by estoppel, or otherwise, to any intellectual property rights are granted by this publication. Except as set forth in AMD’s Standard Terms and Conditions of Sale, AMD assumes no liability whatsoever, and disclaims any express or implied warranty, relating to its products including, but not limited to, the implied warranty of merchantability, fitness for a particular purpose, or infringement of any intellectual property right.

AMD’s products are not designed, intended, authorized or warranted for use as components in systems intended for surgical implant into the body, or in other applications intended to support or sustain life, or in any other application in which the failure of AMD’s product could create a situation where personal injury, death, or severe property or environmental damage may occur. AMD reserves the right to discontinue or make changes to its products at any time without notice.

Trademarks

AMD, the AMD Arrow logo, and combinations thereof are trademarks of Advanced Micro Devices, Inc.

Microsoft is a registered trademark of Microsoft Corporation.

PCI Express and PCIe are registered trademarks of PCI-SIG.

Other product names used in this publication are for identification purposes only and may be trademarks of their respective companies.

Contents

Chapter 1	Introduction.....	12
1.1	Features of the SB820M Southbridge.....	12
1.2	Part Numbers and Brandings	15
1.3	SB820M Southbridge Block Diagram.....	18
1.4	Conventions and Notations.....	19
1.4.1	Pin Names	19
1.4.2	Pin Types	19
1.4.3	Numeric Representation.....	19
1.4.4	Register Field.....	20
1.4.5	Acronyms and Abbreviations	20
Chapter 2	Functional Description	22
2.1	EHCI USB 2.0 and OHCI USB 1.1 Controllers.....	22
2.1.1	USB Power Management.....	24
2.2	SMI/SCI Generation	26
2.2.1	Event Sources for SCI.....	26
2.2.2	SMI Events.....	27
2.2.3	SMI/SCI Work Flow.....	27
2.3	LPC ISA Bridge.....	29
2.3.1	LPC Interface Overview	29
2.3.2	LPC Module Block Diagram	31
2.4	Real Time Clock.....	31
2.4.1	Functional Blocks of RTC	31
2.5	Serial ATA Controller	32
2.6	PCI Bridge	33
2.7	High Definition Audio	34
2.7.1	HD Audio Codec Connections.....	34
2.8	Clock Generation	34
2.9	Power Management/ACPI	36
Chapter 3	Ballout Assignment	37
Chapter 4	Pin Descriptions	39
4.1	CPU Interface Pin Descriptions.....	39

4.2	LPC Interface Pin Descriptions	40
4.3	A-Link Express II Interface Pin Descriptions.....	40
4.4	General Purpose PCI Express® Ports Interface.....	41
4.5	PCI Interface (PCI Host Bus and Internal PCI/PCI Bridge).....	41
4.6	USB Interface	44
4.7	Flash Interface.....	45
4.8	Serial ATA Interface.....	46
4.9	HD Audio Interface	47
4.10	Real Time Clock Interface	48
4.11	SPI ROM Interface	48
4.12	Power Management Interface	49
4.13	SMBus Interface	52
4.14	Reset / Clocks / ATE / JTAG.....	53
4.15	General Purpose I/O and General Event.....	58
4.16	Keyboard and PS/2 Controller.....	68
4.17	Gigabit Ethernet Media Access Controller (GbE MAC).....	69
4.18	Infrared Interface	71
4.19	Power and Ground	71
4.20	Integrated Resistors.....	73
4.21	Strap Information.....	74
Chapter 5	Power Sequence and Timing.....	79
5.1	Power Sequence.....	79
5.2	Reset Timing.....	85
5.2.1	ROMRST#	85
5.2.2	System Reset.....	86
5.2.3	PCIe® Reset.....	87
5.3	Power Button Timing.....	89
5.4	ACPI Timing.....	90
5.4.1	S-State Timing	90
5.4.2	S4 and S5 Timing.....	92
5.4.3	C-State Timing.....	93
5.4.4	VID/FID Change Timing.....	95

5.4.5	Timing Definitions and Descriptions.....	97
5.4.6	Registers for S-State and C-State Timing.....	99
Chapter 6	Electrical Characteristics	102
6.1	Absolute Ratings.....	102
6.2	Functional Operating Range	102
6.3	DC Characteristics	102
6.4	RTC Battery Current Consumption	104
6.5	States of Power Rails during ACPI S1 to S5 States	105
6.6	System Clock Specifications	106
6.6.1	System Clock Descriptions	106
6.6.2	System Clock Input Frequency Specifications	106
6.6.3	System Clock Output AC and DC Specifications.....	106
Chapter 7	Package Information	110
7.1	Physical Dimensions.....	110
7.2	Pressure Specification.....	111
7.3	Thermal Information.....	111
7.4	Reflow Profile.....	113
Chapter 8	Testability	115
8.1	XOR Chain Test Mode	115
8.2	Test Control Signals.....	115
8.2.1	Brief Description of an XOR Chain.....	117
8.2.2	Description of the SB820M XOR Chain	118
Appendix A	Pin Listing.....	124

List of Figures

Figure 1: SB820M Branding Diagrams for (a) Engineer Sample, (b) Production ASIC A12, (c) Production ASIC A13	16
Figure 2. Block Diagram Showing the Internal PCI Devices and Major Function Blocks	18
Figure 3. USB Controllers Block Diagram.....	23
Figure 4. SMI/SCI Logic of the SB820M.....	28
Figure 5. SB820M LPC Bus System	29
Figure 6. Block Diagram of LPC Module	31
Figure 7. Block Diagram of Internal RTC	32
Figure 8. Block Diagram for the SATA Module	33
Figure 9. HD Audio Codec Connections	34
Figure 10. System Clock Generation	35
Figure 11: SB820M Ballout Assignment (Left)	37
Figure 12: SB820M Ballout Assignment (Right).....	38
Figure 13. Straps Capture Timing.....	75
Figure 14. Power-on Sequence (S5 → S0 → S5).....	79
Figure 15. Power-on Sequence (S3 → S0 → S3).....	80
Figure 16. Timing for SB PWR_GOOD De-asserted to RSMRST# De-asserted.....	84
Figure 17. Measurement for RSMRST# Timing (T2A).....	84
Figure 18. LDT_STP# Timing at First power-up, G3G5, or after RSMRST# Assertion.....	85
Figure 19. ROM Reset Timing	86
Figure 20. System Reset Timing.....	87
Figure 21. PCIe [®] Reset Timing	88
Figure 22. Power Button Timing	89
Figure 23. S1-State Timing.....	90
Figure 24. S3 State Timing	91
Figure 25. S4 and S5 State Timing	92
Figure 26. C2/C3-State Timing.....	93
Figure 27. C3 Stutter Mode Timing.....	94
Figure 28. VID/FID Change Timing	95
Figure 29. C-State and VID/FID Change Flow Diagram	96
Figure 30. SB820M 23 mm x 23 mm 0.8 mm Pitch 605-FCBGA Package Outline.....	110

Figure 31. RoHS/Lead-Free Solder (SAC305/405 Tin-Silver-Copper) Reflow Profile.....	114
Figure 32. Test Mode Capturing Sequence Timing.....	116
Figure 33. A Generic XOR Chain.....	117
Figure 34. On-chip XOR Chain connectivity	118

List of Tables

Table 1. Pin Type Codes.....	19
Table 2. Acronyms and Abbreviations	20
Table 3. EHCI Support for Power Management States	24
Table 4. EHCI Power State Summary	25
Table 5. SCI Event Sources and Mapping into ACPI EventStatus.....	26
Table 6. LPC Cycle List and Data Direction	30
Table 7. CPU Interface Pin Descriptions	39
Table 8. LPC Interface Pin Descriptions	40
Table 9. A-Link Express II Interface Pin Descriptions.....	40
Table 10. General Purpose PCI Express® Ports Interface Pin Descriptions	41
Table 11. PCI Interface (PCI Host Bus and Internal PCI/PCI Bridge) Pin Description.....	41
Table 12. USB Interface Pin Descriptions	44
Table 13. Flash Interface Pin Descriptions.....	45
Table 14. Serial ATA Interface Pin Descriptions	46
Table 15. HD Audio Interface Pin Descriptions.....	47
Table 16. Real Time Clock Interface	48
Table 17. SPI ROM Interface Pin Descriptions.....	48
Table 18. Power Management Interface Pin Descriptions.....	49
Table 19. SMBus Interface Pin Descriptions.....	52
Table 20. Reset/Clocks/ATE/JTAG Interface Pin Descriptions.....	53
Table 21. General Purpose I/O and General Event Pin Descriptions	58
Table 22. Keyboard and PS/2 Controller Interface Pin Descriptions	69
Table 23. RGMII/MII Pin Descriptions.....	70
Table 24. Gigabit Ethernet PHY Pin Descriptions	70
Table 25. Infrared Interface Pin Descriptions.....	71
Table 26. Power and Ground Pin Descriptions.....	72
Table 27. Integrated Resistors.....	74
Table 28. Standard Straps	75
Table 29. Debug Straps.....	77
Table 30. Power Sequence Timing.....	81

Table 31. Power Sequence SB PWRGOOD, NB_PWRGOOD, and System Clock Timing (For Internal Clock Mode Only).....	82
Table 32. Power Sequence SB PWRGOOD, NB_PWRGD, and System Clock Timing (For External Clock Mode Only).....	82
Table 33. Rom Reset Timing for Various Platform Configurations.....	86
Table 34. System Reset Timing	87
Table 35. PCIe [®] Reset Timing.....	88
Table 36. Timing Definitions and Descriptions.....	97
Table 37. C3 Enter (Shaded)/Exit.....	98
Table 38. C3 Stutter Enter (Shaded)/Exit	98
Table 39. LdtCmd Enter (Shaded)/Exit	98
Table 40. S1 Enter (Shaded)/Exit	99
Table 41. S3 Enter (Shaded)/Exit	99
Table 42. S4 Enter (Shaded)/Exit	99
Table 43. Registers for Programming Sx and Cx-State Timing	100
Table 44. Recommend Values for Programming Sx and Cx-State Timing.....	100
Table 45. DC Characteristics of the GPIO pins.....	102
Table 46. DC Characteristics of the PCI Interface	102
Table 47. DC Characteristics of the CPU Interface	103
Table 48. DC Characteristics of RSMRST#.....	103
Table 49. DC Characteristics of SBPWRGD	103
Table 50. DC Characteristics of the LPC Interface	104
Table 51. RTC Battery Current Consumption (Preliminary Estimates).....	104
Table 52. States of Power Rails during ACPI S1 to S5 States	105
Table 53. System Clock Input Source Descriptions	106
Table 54. System Clock Input Frequency Specifications	106
Table 55. NB_DISP_CLKP/N AC Specifications: (Non-Spread Clock).....	107
Table 56. CPU_HT_CLKP/N AC Specifications.....	107
Table 57. 14-MHz/25-MHz/48-MHz Auxiliary Clock AC Specifications:	108
Table 58. PCI Clock AC Specifications	108
Table 59. SB820M 23 mm x 23 mm 0.8 mm Pitch 605-FCBGA Physical Dimensions.....	110
Table 60. SB820M Thermal Limits.....	111
Table 61. SB820M Thermal Design Power for Different Platform Configurations.....	112

Table 62. Recommended Board Solder Reflow Profile - RoHS/Lead-Free Solder	113
Table 63. Signals for the Test Controller of the SB820M	115
Table 64. Test Mode Signals	115
Table 65. TEST0 Bit Sequence.....	116
Table 66. Truth Table for an XOR Chain	117
Table 67. List of Pins on the SB820M XOR Chain and the Order of Connection.....	118
Table 68. Signals that are not part of the XOR chain	123
Table 69. Pin Listing by Interface.....	124
Table 70. Pin List by Signal Name	134

Revision History

Date	Revision	Description
Dec 2010	2.10	<ul style="list-style-type: none">• Update Section 5.1, “Power Sequence”: Added timing label T2B and revised T3’s minimum value.• Added Section 5.3, “Power Button Timing.”• Updated Table 21, “General Purpose I/O and General Event Pin Descriptions”: Updated voltage level for LPC_SMI#/GEVENT23#.
Oct 2010	2.00	<ul style="list-style-type: none">• First release of the public version.

Chapter 1 Introduction

The AMD SB820M Southbridge integrates key I/O, communications, and audio features required in a state-of-the-art PC into a single device. It is specifically designed to operate with AMD's integrated graphics processors (IGPs) and Northbridges (NBs) in mobile PCs.

1.1 Features of the SB820M Southbridge

Processor Interface

- Supports AMD mobile processors code-named “Champlain,” and “Geneva.”

A-Link Express II interface to Northbridges

- 1-, 2-, or 4-lane A-Link Express II interface
- Automatic detection of lane configuration on boot-up
- Supports transfer rate of up to 2.5 GT/s per lane.

PCI Express® Controller

- Two-lane PCI Express® (PCIe®) 1.x interface, supporting up to two general purpose devices. Supported configurations include:
 - 1x2
 - 2x1

PCI Host Bus Controller

- Supports PCI bus at 33MHz
- Supports PCI Rev. 2.3 specification
- Supports up to 4 bus master devices
- Supports 40-bit addressing

- Interrupt steering supported for plug-n-play devices
- Supports concurrent PCI operations
- BIOS/hardware support to hide PCI device
- Supports spread spectrum

USB Controllers

- 4 OHCI and 3 EHCI host controllers to support 14 USB 2.0 ports and 2 dedicated USB 1.1 ports
- Supports ACPI S1 ~ S5
- Supports USB keyboard/mouse functionality for legacy Operating Systems
- USB debug port
- Supports individual port disable capability

SMBus Controller

- Supports SMBALERT # signal

Interrupt Controller

- Supports IOAPIC/X-IO APIC mode for 24 channels of interrupts
- Supports 8259 legacy mode for 15 interrupts

- Supports programmable level/edge triggering on each channels
- Supports serial interrupt on quiet and continuous modes

DMA Controller

- Two cascaded 8237 DMA controllers
- Supports LPC DMA
- Supports type F DMA

LPC host bus Controller

- Supports LPC-based super I/O and flash devices
- Supports two master/DMA devices
- Supports TPM version 1.1/1.2 devices for enhanced security
- Supports SPI devices
- Supports a maximum SPI ROM size of 16MB

SATA Controller

- Supports six Third generation SATA ports (backward compatible with Second and First generation devices)
- Complies with SATA 2.6 specification
- Supports two modes of operation:
 - IDE emulation mode
 - AHCI mode (compliant with AHCI specification revision 1.2)

- RAID 0 and RAID 1 support
- NCQ support
- Device or Host Initiated Power Management (DIPM /HIPM) support
- Hot plug support
- e-SATA support

Notes:

- RAID is supported on all SIX SATA ports.
- Any of the six ports can be configured to a lower transfer rate of 3 or 1.5 Gbit/s for saving power.
- Any of the six SATA ports can be used as e-SATA ports to support Second and First Generation devices. (Third generation SATA devices are not supported as per the SATA 3.0 Specification).

High Definition Audio

- Four independent output streams (DMA)
- Four independent input streams (DMA)
- Multiple channels of audio output per stream
- Supports up to 4 codecs
- Up to 192kHz sample rate and 32-bit audio
- 64-bit addressing capability for DMA bus master and MSI
- Unified Audio Architecture (UAA) compatible
- HD Audio registers can be located anywhere in the 64-bit address space

- Supports 3.3V/1.5V dual-voltage interface for power saving

Timers

- 8254-compatible timer
- Microsoft® High Precision Event Timer (HPET)
- ACPI power management timer
- Watchdog timer

Real Time Clock (RTC)

- 256-byte battery-backed CMOS RAM
- Hardware supported century rollover
- Hardware supported day-light saving feature
- RTC battery monitoring feature

Power Management

- ACPI specification 3.0 compliant power management schemes
 - Supports CPU C1e, C2, C3, C3 pop-up, C4, and C5 states
 - Supports system S0, S1, S3, S4, and S5 states
- Wakeup events for S1, S3, S4, and S5 generated by:
 - Any GEVENT pin
 - Any GPM pin
 - USB

- Power Button
- Internal RTC wakeup
- SMI event
- Consumer IR
- CPU SMM support, generating SMI message upon power management events
- CLKRUN# support for PCI power management
- Provides clock generator and CPU STPCLK# control
- ALPM (HIPM) on SATA
- DIPM on SATA

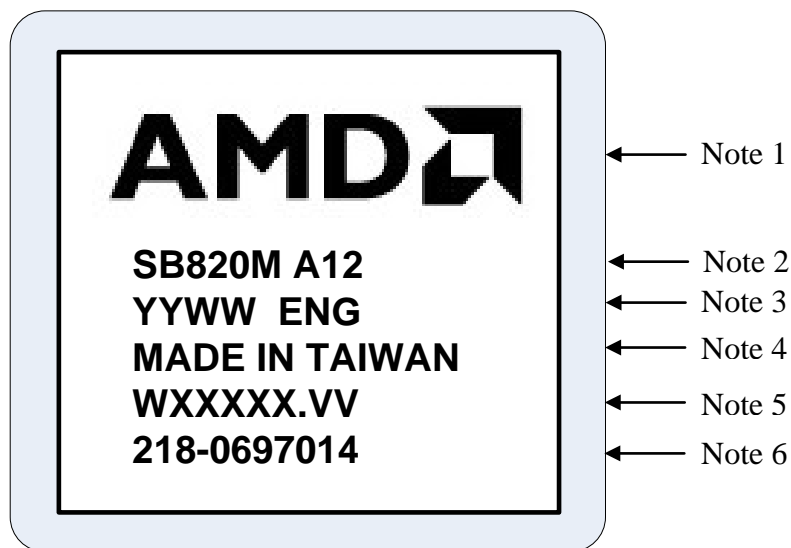
Consumer IR

- Media center infrared with wake from all states
 - Two transmitters
 - IR receiver and wideband learning receiver

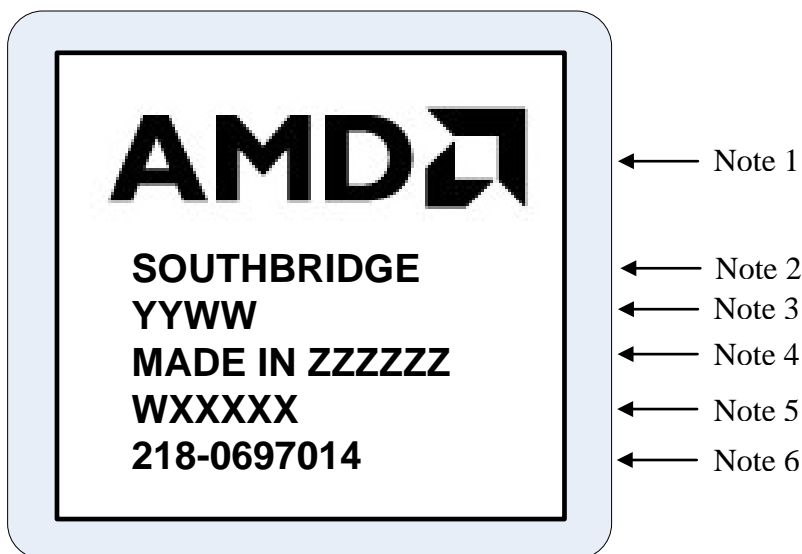
Integrated Clock Function

- Provides two auxiliary clocks, which can be configured to 25MHz, 14.318MHz, or 48MHz
- Provides system clocks for CPU and NB HT link
- Provides PCIe® clocks for A-Link Express II, graphics (integrated or external) and up to nine GPP ports

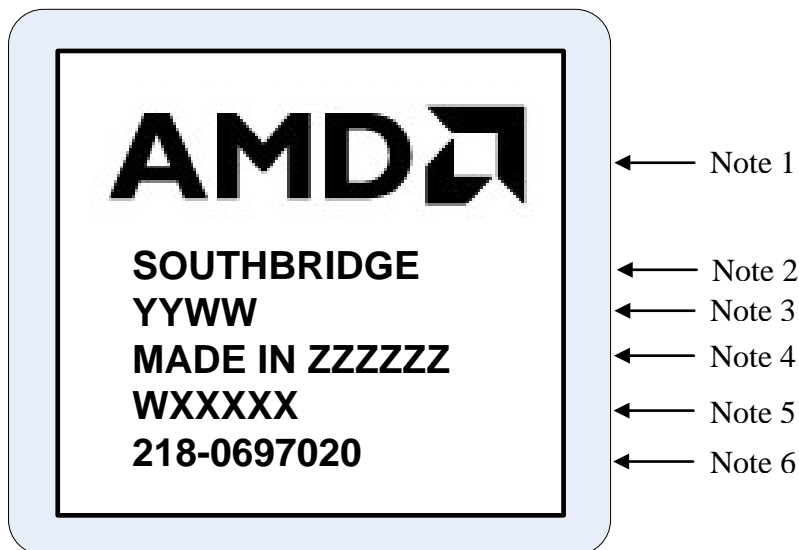
1.2 Part Numbers and Brandings



(a)



(b)



(c)

Note: Brandings can be in laser, ink, or mixed laser-and-ink marking.

See Notes below.

Figure 1: SB820M Branding Diagrams for (a) Engineer Sample, (b) Production ASIC A12, (c) Production ASIC A13

Note 1: Marketing Logo

Note 2: Product Name

Note 3: Date Code (YYWW)

This is the date code where YY-assembly start year, WW-assembly start week.

Note 4: Country of Origin (ZZZZZZ).

COO → Country of origin (Assembly site)

Note 5: Wafer foundry lot number (WXXXXX) (Wafer ID (VV))

Note 6: AMD PART NUMBER (See Table 2 Below)

Table 2: SB800-Series Southbridges Part Numbers

ASIC	ASIC Revision	AMD Part Number
SB810	A12	218-0697012
	A13	218-0697018
SB820M	A12	218-0697014
	A13	218-0697020
SB850	A12	218-0697010
	A13	218-0697016

1.3 SB820M Southbridge Block Diagram

Figure 2 is a block diagram showing the internal PCI devices and major blocks of the SB820M Southbridge.

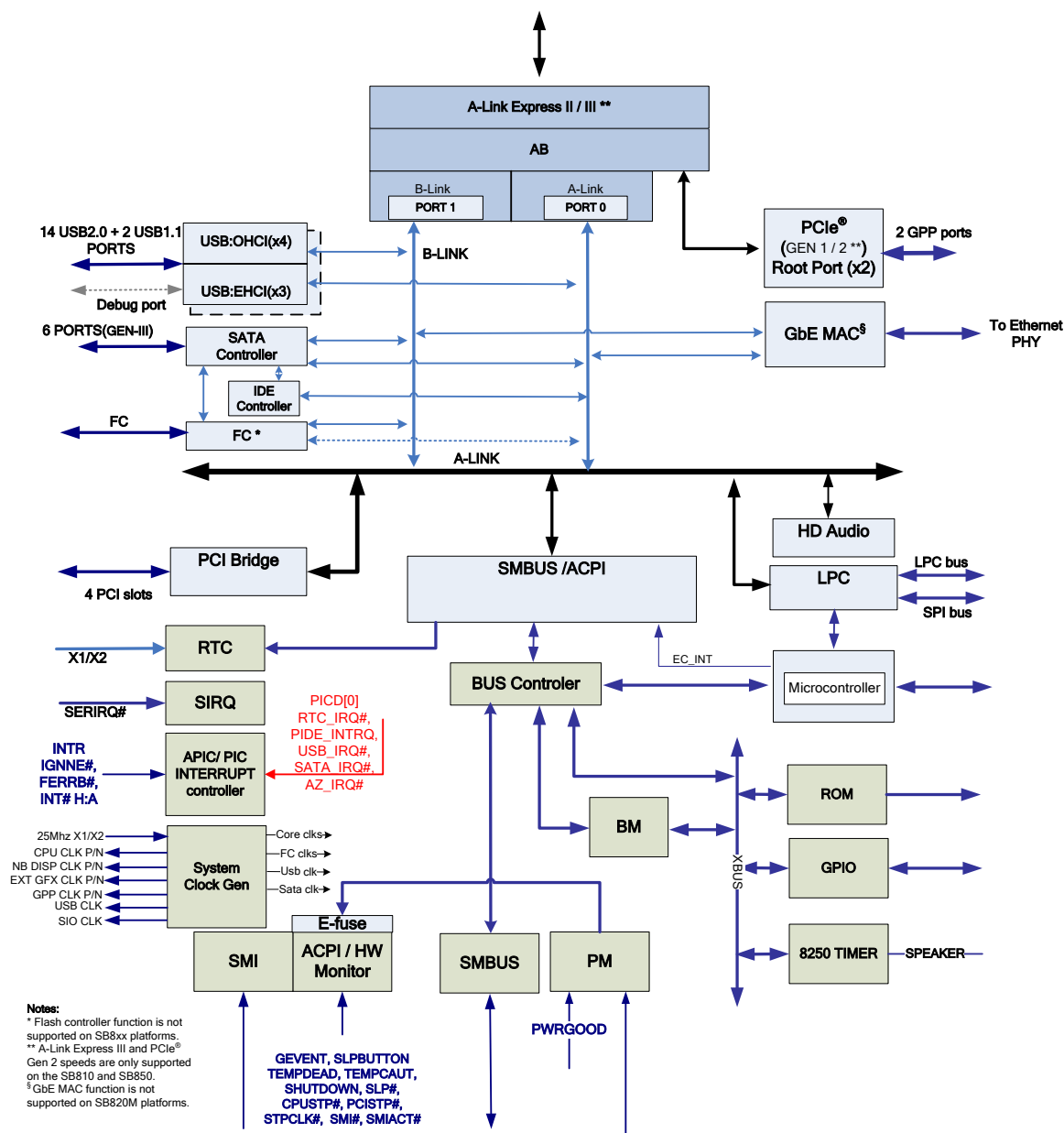


Figure 2. Block Diagram Showing the Internal PCI Devices and Major Function Blocks

1.4 Conventions and Notations

The following conventions are used throughout this manual.

1.4.1 Pin Names

Pins are identified by their pin names or ball references. All active-low signals are identified by the suffix ‘#’ in their names (e.g., GNT0#).

1.4.2 Pin Types

The pins are assigned different codes according to their operational characteristics. These codes are listed in Table 1.

Table 1. Pin Type Codes

Code	Pin Type
I	Digital Input
O	Digital Output
OD	Open Drain
I/O	Bi-Directional Digital Input or Output
I/OD	Digital Input or Open Drain
M	Multifunctional
PWR	Power
GND	Ground
A-O	Analog Output
A-I	Analog Input
A-I/O	Analog Bi-Directional Input/Output
A-PWR	Analog Power
A-GND	Analog Ground
Other	Pin types not included in any of the categories above

1.4.3 Numeric Representation

Hexadecimal numbers are appended with “h” whenever there is a risk of ambiguity.

Other numbers are in decimal.

Pins of identical functions but different running integers (e.g., “LAD3,” “LAD2,” “LAD3”) are referred to collectively by specifying their integers in square brackets and with colons (i.e., “LAD[3:0]”). A similar short-hand notation is used to indicate bit occupation in a register. For example, Command[15:10] refers to the bit positions 10 through 15 of the Command register.

1.4.4 Register Field

A field of a register is referred to by the format of [Register Name].[Register Field]. For example, “Commad.Memory Space” is the “Memory Space” field of the register “Command.”

1.4.5 Acronyms and Abbreviations

The following is a list of the acronyms and abbreviations used in this manual.

Table 2. Acronyms and Abbreviations

Acronym	Full Expression
ACPI	Advanced Configuration and Power Interface
AHCI	Advanced Host Controller Interface
BGA	Ball Grid Array
BIOS	Basic Input Output System. Initialization code stored in a ROM or Flash RAM used to start up a system or expansion card.
DAC	Digital to Analog Converter
DIPM	Device Initiated Interface Power Management
DMA	Direct Memory Access
EHCI	Enhanced Host Controller Interface
EPROM	Erasable Programmable Read Only Memory
GbE	Gigabit Ethernet
GND	Ground
GPIO	General Purpose Input/Output
GPM	General Power Management
HD	High Definition Audio
HIPM	Host Initiated Interface Power Management
HPET	High Precision Event Timer

Acronym	Full Expression
I ² C	Inter-Integrated Circuit
IDE	Integrated Drive Electronics
IR	Infrared
ISA	Industry Standard Architecture
JTAG	Joint Test Access Group. An IEEE standard.
LPC	Low Pin Count
MAC	Medium Access Controller
MII	Media Independent Interface
NCQ	Native Command Queuing
OHCI	Open Host Controller Interface
PCI	Peripheral Component Interface
PCIe	PCI Express [®]
PLL	Phase Locked Loop
POST	Power On Self Test
PD	Pull-down Resistor
PU	Pull-up Resistor
RAID	Redundant Array of Inexpensive Disks
RGMII	Reduced Gigabit Media Independent Interface
RTC	Real Time Clock
SATA	Serial ATA
SB-TSI	Sideband Temperature Sensor Interface
SCI	System Controller Interrupt
SMBus	System Management Bus
SMI	System Management Interrupt
SPI	Serial Peripheral Interface
TPM	Trusted Platform Module
USB	Universal Serial Bus

Chapter 2 Functional Description

2.1 EHCI USB 2.0 and OHCI USB 1.1 Controllers

Figure 3 is an internal block diagram for the SB's USB controller.

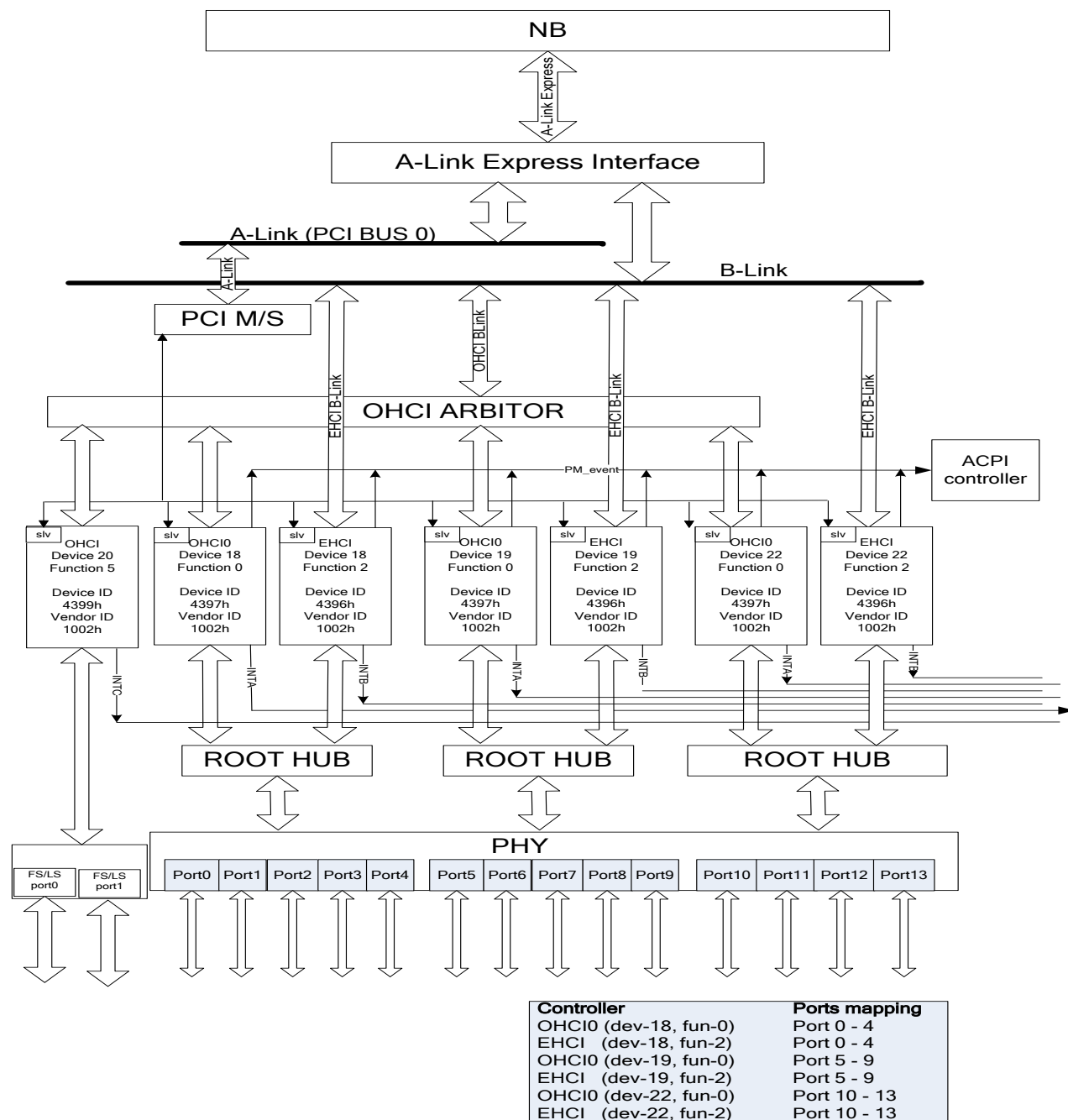


Figure 3. USB Controllers Block Diagram

2.1.1 USB Power Management

An advanced power management capability interface compliant with *PCI Bus Power Management Interface Specification Revision 1.1* is incorporated into the EHCI. This interface allows the EHCI to be placed in various power management states, offering a variety of power savings for a host system.

Table 3 highlights the EHCI support for power management states and features supported for each of the power management states. An EHCI implementation may internally gate-off USB clocks and suspend the USB transceivers (low power consumption mode) to provide these power savings.

Table 3. EHCI Support for Power Management States

PCI Power Management State	State Required/ Optional in Specification	Comments
D0	Required	Supported. Fully awake backward compatible state. All logic in full power mode.
D1	Optional	Not supported. USB Sleep state with EHCI bus master capabilities disabled. All USB ports in suspended state. All logic in low latency power savings mode because of low latency returning to D0 state.
D2	Optional	Not supported. USB Sleep state with EHCI bus master capabilities disabled. All USB ports in suspended state.
D3hot	Required	Supported. Deep USB Sleep state with EHCI bus master capabilities disabled. All USB ports in suspended state.
D3cold	Required	Supported. Fully asleep backward compatible state. All downstream devices are either suspended or disconnected based on the implementation's capability to supply downstream port power within the power budget.

The functional and wake-up characteristics for the EHCI power states are summarized in Table 4.

Table 4. EHCI Power State Summary

Power State	Functional Characteristics	Wake-up Characteristics*
D0	<ul style="list-style-type: none"> Fully functional EHCI device state Unmasked interrupts are fully functional 	<ul style="list-style-type: none"> Resume detected on suspended port Connect or Disconnect detected on port Over Current detected on port
D1	<ul style="list-style-type: none"> EHCI preserves PCI configuration EHCI preserves USB configuration Hardware masks functional interrupts All ports are disabled or suspended 	<ul style="list-style-type: none"> Resume detected on suspended port Connect or Disconnect detected on port Over Current detected on port
D2	<ul style="list-style-type: none"> EHCI shall preserve PCI configuration EHCI shall preserve USB configuration Hardware masks functional interrupts All ports are disabled or suspended 	<ul style="list-style-type: none"> Resume detected on suspended port Connect or Disconnect detected on port Over Current detected on port
D3hot	<ul style="list-style-type: none"> EHCI shall preserve PCI configuration EHCI shall preserve USB configuration Hardware masks functional interrupts All ports are disabled or suspended 	<ul style="list-style-type: none"> Resume detected on suspended port Connect or Disconnect detected on port Over Current detected on port
D3cold	<ul style="list-style-type: none"> PME Context in PCI Configuration space is preserved Wake Context in EHCI Memory Space is preserved All ports are disabled or suspended 	<ul style="list-style-type: none"> Resume detected on suspended port Connect or Disconnect detected on port Over Current detected on port

* **Note:** Associated enables must be set.

2.2 SMI/SCI Generation

Certain system events are routable between SMI or SCI. When an event is routed to SMI, an SMI assertion message will be sent by the SB to the processor and it will enter SMM space. The SMI status remains active until the EOS bit is set. When the EOS is set, an SMI de-assertion message will be sent to the processor. If the event is routed to SCI, BIOS can then route it to any of the legacy interrupts (except IRQ8) or INT21 in the case of IOAPIC.

2.2.1 Event Sources for SCI

There are 64 event sources below, which can be mapped into 32 event resources of ACPI EventStatus. The SCI event mapping are controlled through the SciMap registers in SMI_reg space. And the SCI Event enable/status are accessed through the EventEnable/EventStatus registers in SMI_reg space. Refer to *AMD SB800-Series Southbridges Register Reference Guide (PID# 45482)* for more details.

Table 5. SCI Event Sources and Mapping into ACPI EventStatus

Event Number	Event Source	Active Level
0 ~ 23	Gevent0 ~ 23	high/low
24	PME from USB device 18	high
25	PME from USB device 19	high
26	PME from USB device 20	high
27	PME from USB device 22	high
28	PME from GPP device 21, function 0	high
29	PME from GPP device 21, function 1	high
30	PME from GPP device 21, function 2	high
31	PME from GPP device 21, function 3	high
32	Hotplug event from GPP device 21, function 0	high
33	Hotplug event from GPP device 21, function 1	high
34	Hotplug event from GPP device 21, function 2	high
35	Hotplug event from GPP device 21, function 3	high
36	PME from HD Audio device	high
37	SATA Gevent 0	high
38	SATA Gevent 1	high
39	PME from Gec	high
40	EC Gevent	high
41	Reserved	high

Event Number	Event Source	Active Level
42	PME from CIR	high
43	Wake# pin	high
44	FanThermal Gevent	high
45	ASF Master Interrupt event	high
46	ASF Slave interrupt event	high
47	SMBUS0 interrupt	high
48	TWARN event	high
49	Traffic Monitor Gevent	high
50~ 63	Reserved	high

2.2.2 SMI Events

SB820M supports up to 160 sources to generate SMI. The SMI control/status are accessed through the registers defined in the SMI_Reg space. Refer to *AMD SB800-Series Southbridges Register Reference Guide (PID# 45482)* for more details.

2.2.3 SMI/SCI Work Flow

Figure 4 shows how the SMI/SCI logic works (SmiSciEn bit set to 1)

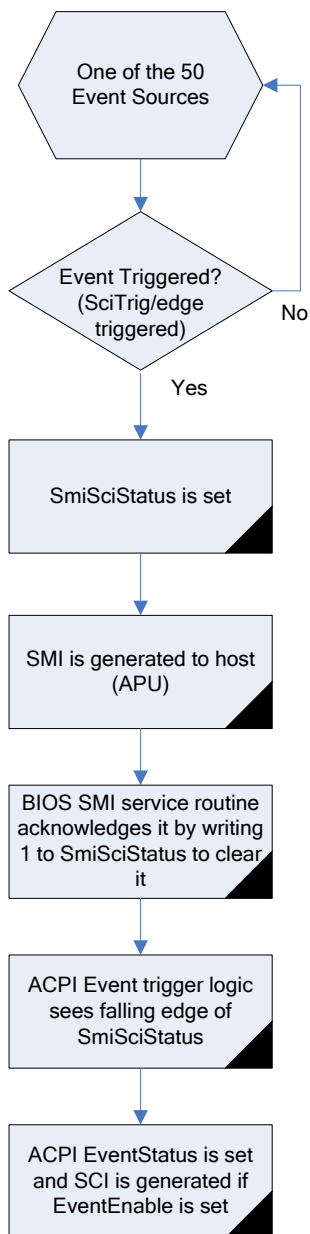


Figure 4. SMI/SCI Logic of the SB820M

2.3 LPC ISA Bridge

2.3.1 LPC Interface Overview

The Low Pin Count (LPC) bus interface is a cost-efficient, low-speed interface designed to support low-speed legacy (ISA, X-bus) devices. The LPC interface essentially eliminates the need of ISA and X-bus in the system. A typical setup of the system with LPC interface is shown in Figure 5. Here the ISA bus is internal to SB and is used for connecting to the legacy Direct Memory Access (DMA) logic. The LPC host controller is typically integrated into the Southbridge. It connects to the internal A-Link bus on one side and the LPC and Serial Peripheral Interface (SPI) buses on the other side.

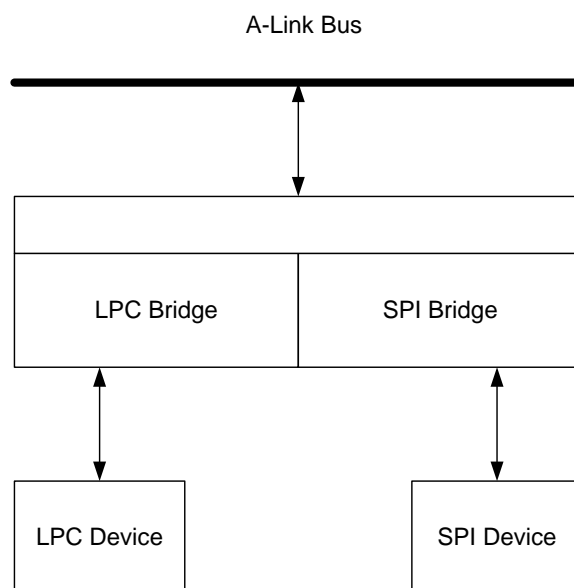


Figure 5. SB820M LPC Bus System

Examples of LPC devices include Super I/O (disk controller, keyboard controller), BIOS RAM, audio, Trusted Platform Module (TPM), and system management controller. A BIOS ROM can also be populated on the SPI interface. The SB820M Southbridge can support an LPC or SPI type BIOS ROM. The ROM selection is determined by two strap pins (refer to Table 28. Standard Straps) during RSMRST# assertion. In addition to the straps, software can change the ROM selection through programming in the PMIO registers.

The ISA interface is only used for legacy DMA operation. LPC host controller has the A-Link bus on one side and the LPC bus on the other. Some LPC signals are used for power management in mobile systems and are optional. A more detailed description of each signal is given later.

The host controller supports memory and I/O read/write, DMA read/write, and bus master memory I/O read/write. It supports up to two bus masters and seven DMA channels. A bus

master or DMA agent uses the LDRQ pin to assert bus master or DMA requests. The host controller uses LFRAME# to indicate the start or termination of a cycle. Table 6 shows a list of cycles supported by the host controller, initiator, data flow direction, and their PCI counterparts.

Table 6. LPC Cycle List and Data Direction

Cycle	Size (bytes)	Initiator	Data Direction	PCI counterpart
Memory read	1	Host	P-2-Host	MemRead to LPC range
Memory write	1	Host	Host-2-P	MemWrit to LPC range
I/O read	1	Host	P-2-Host	IORead to LPC range
I/O write	1	Host	Host-2-P	IOWrit to LPC range
DMA read	1, 2, 4	Peripheral	Host-2-P	DMA control setup; DMA data fetch
DMA write	1, 2, 4	Peripheral	P-2-Host	DMA control setup; DMA data store
BM Memory read	1, 2, 4	Peripheral	Host-2-P	DMA control setup; DMA data fetch
BM Memory write	1, 2, 4	Peripheral	P-2-Host	DMA control setup; DMA data store
BM I/O read	1, 2, 4	Peripheral	Host-2-P	DMA control setup; I/O data fetch
BM I/O write	1, 2, 4	Peripheral	P-2-Host	DMA control setup; I/O data store

The host controller has a SERIRQ (Serial IRQ) pin, which is used by peripherals that require interrupt support. All legacy interrupts are serialized on this pin, decoded by the host controller, and sent to the interrupt controller for processing. Refer to the *Serial IRQ Specification, Version 5.4*, for detailed description of the serial IRQ protocol.

2.3.2 LPC Module Block Diagram

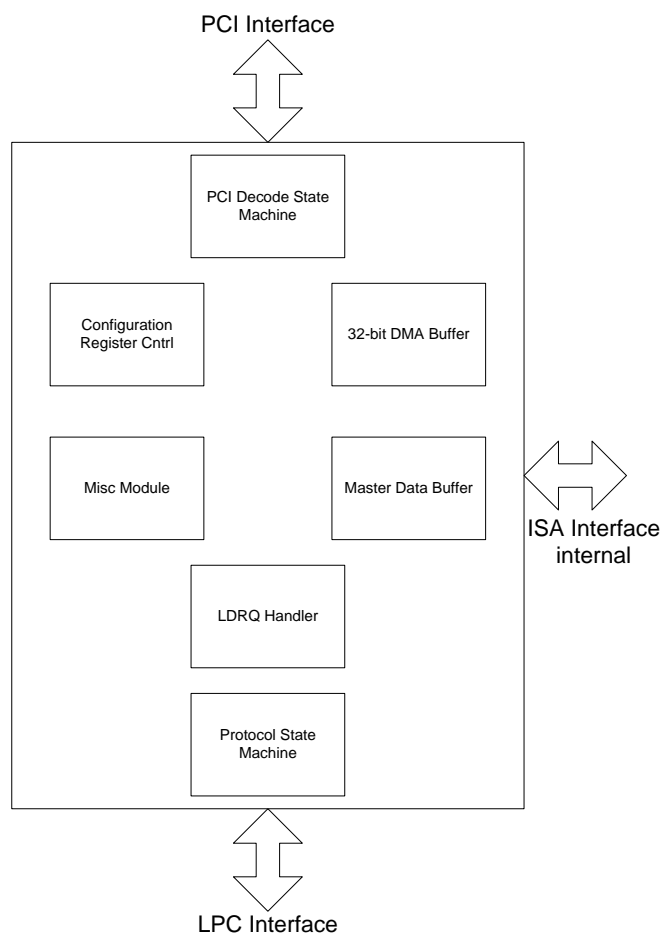


Figure 6. Block Diagram of LPC Module

2.4 Real Time Clock

The Real Time Clock (RTC) updates the computer's time and generates interrupts for periodic events and pre-set alarm. The RTC also makes hardware leap year corrections. The SB's RTC includes a 256-byte CMOS RAM, which is used to store the configuration of a computer such as the number and type of disk drive, graphics adapter, base memory, checksum value, etc.

2.4.1 Functional Blocks of RTC

The internal RTC is made of two parts—one part is an analog circuit, powered by a battery VBAT, and the other is a digital circuit, powered by a main power VDD. Figure 7 shows the block diagram of the internal RTC. The SB has added hardware-based daylight saving feature and makes adjustments (spring forward or fall back) at the designated dates/times. Both the date

and hour for the daylight and standard time are fully programmable, allowing for different daylight saving dates and hours for different parts of the world.

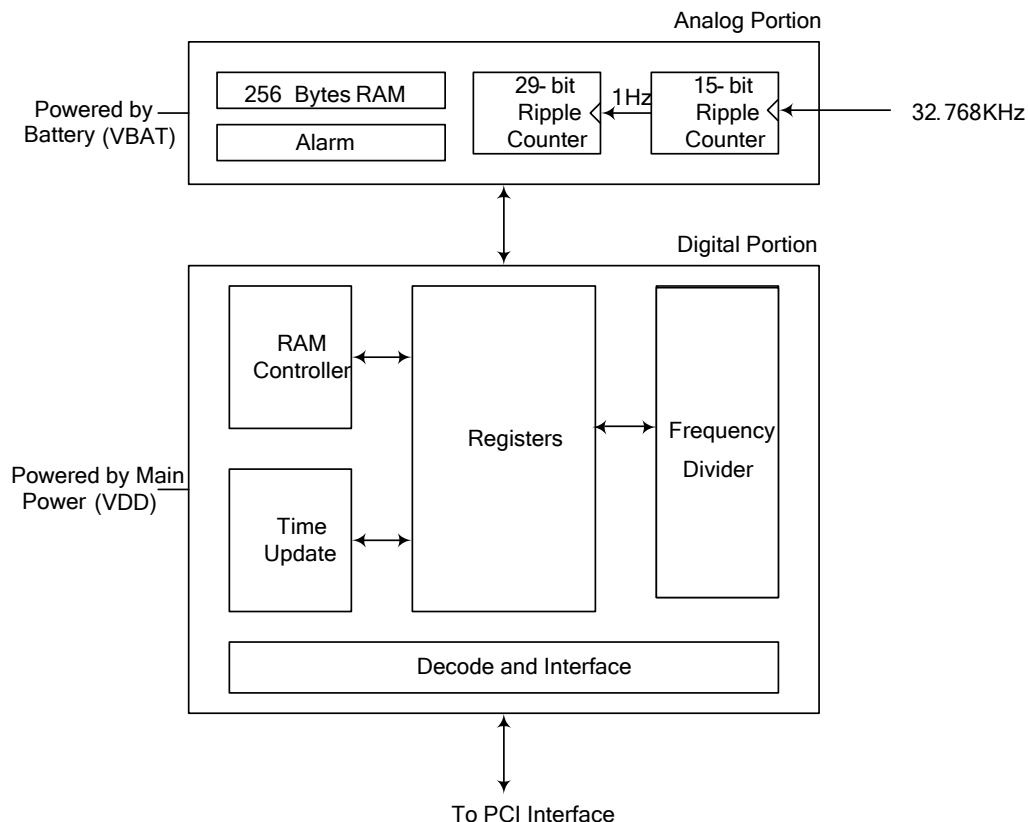


Figure 7. Block Diagram of Internal RTC

2.5 Serial ATA Controller

The integrated Serial ATA controller processes host commands and transfers data between the host and Serial ATA devices. It supports six independent Serial ATA channels. Each channel has its own Serial ATA bus and supports one Serial ATA device. With respect to the transfer rate, the integrated SATA controller supports First generation (1.5 Gbit/s), Second generation (3.0 Gbit/s), and Third generation (6.0 Gbit/s) SATA ports. Figure 8 is a diagram for the SATA block.

The SATA controller can operate in three modes:

- All six channels are configured as SATA AHCI mode.
- All six channels are configured as IDE mode. In this configuration, the SATA controller is configured into two IDE controllers, with the programming interface of channel 0 to 3 under the first IDE controller, and that of channel 4 and 5 under the second IDE controller.

- Four channels (channel 0 to 3) are configured as SATA AHCI and two channels (channel 4 and 5) are configured as IDE mode. In this configuration, the programming interface of channel 4 and 5 are under the IDE controller.

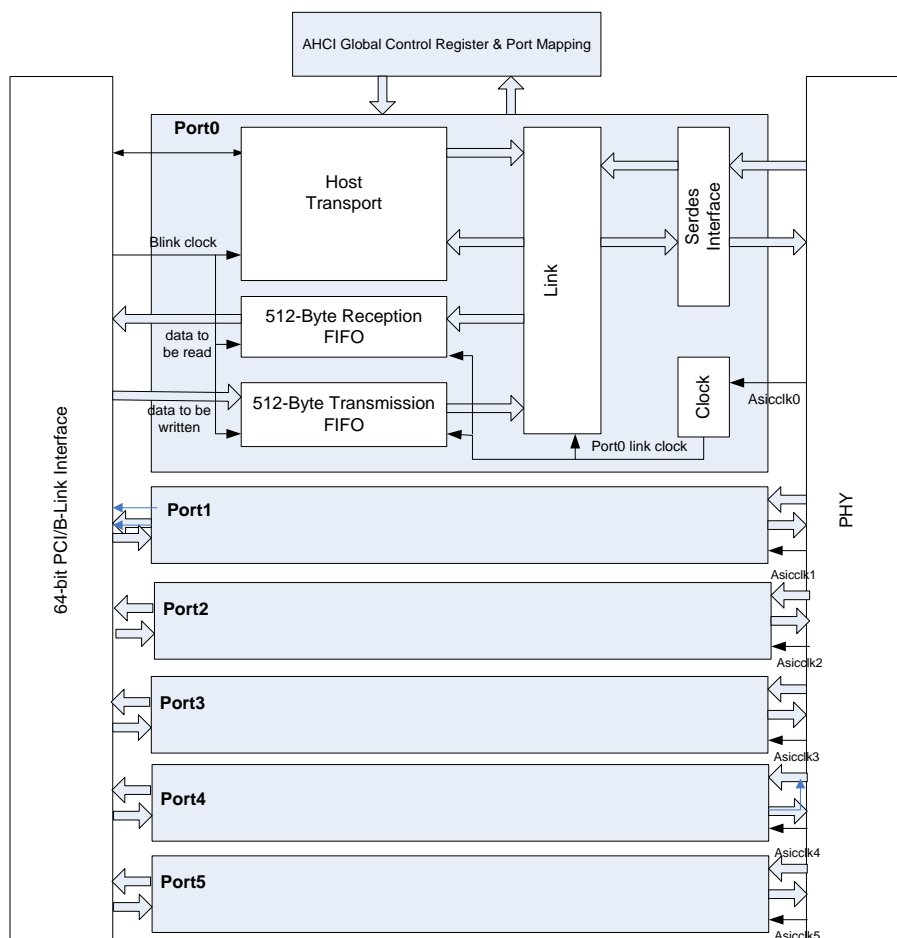


Figure 8. Block Diagram for the SATA Module

2.6 PCI Bridge

The PCI Bridge supports up to four PCI slots. The PCI bridge runs at 33 MHz and can support CLKRUN# function with individual clock override (option for not stopping specific PCICLK). In addition, it has the capability to hide individual PCI devices.

The SB has a strapping option that allows loading of the boot codes from the PCI bus on the very first boot (first boot after RSMRST#). Subsequent boots will revert back to the ROM selection determined by the ROM straps or PMIO programming. This allows system manufacturers to populate the motherboard with a blank flash device (for BIOS) and use this option to program it. This is particularly useful for systems built without a socket for the BIOS ROM.

2.7 High Definition Audio

The High Definition (HD) Audio Controller communicates with the external HD Audio codec(s) over the HD Audio Link. The SB820M HD Audio Controller consists of four independent output DMA engines and four independent input DMA engines that are used to move data between system memory and the external codec(s). The controller can support up to four audio or modem codec in any combinations.

2.7.1 HD Audio Codec Connections

Figure 9. shows the HD Audio interface connections to the HD Audio codecs. The SB can support up to four HD Audio codecs. Each codec will have its own AZ_SDIN (data input) for the HD Audio interface. Figure 9. shows the connection of a two-codec configuration.

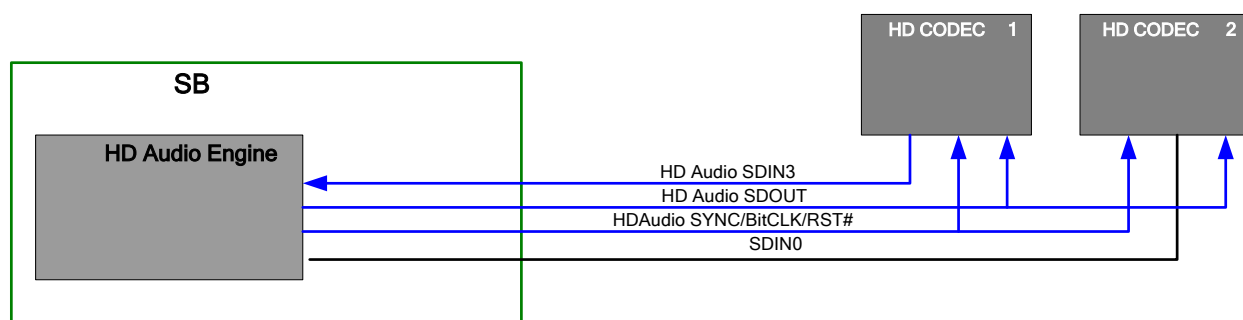


Figure 9. HD Audio Codec Connections

2.8 Clock Generation

The SB820M has an integrated system clock generator that can be used to generate the required system clocks, thus eliminating the need for an external clock generator. However, it does support a mode of operation that allows an external clock generator to be used in the system. The clock generator mode is selected by a power-on configuration strap pin (see Table 28). A simplified block diagram of the clock logic is shown in Figure 10.

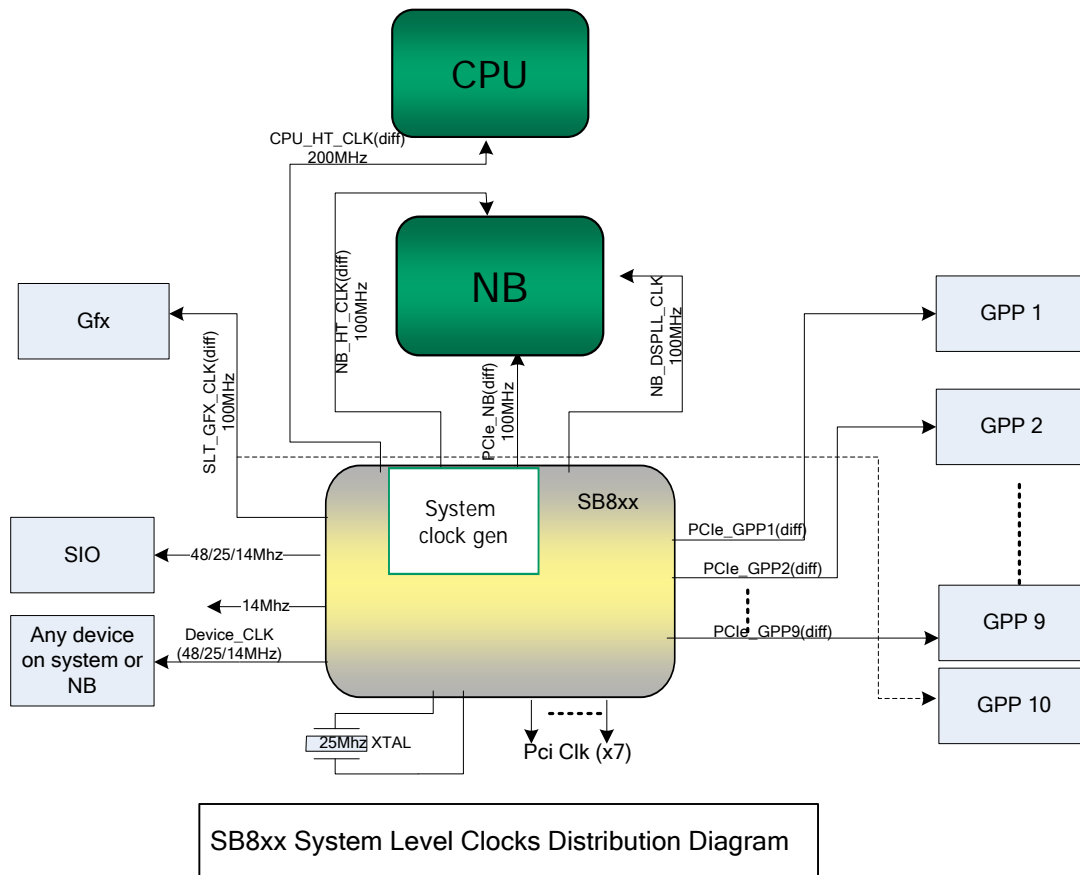


Figure 10. System Clock Generation

If the SB820M is in external clock mode, the clock sources it requires are a 25MHz crystal as internal PLL clock source, a 32-KHz crystal for the RTC, and a 100MHz differential clock pair for the PCIe reference clocks. In addition to the PCIe clocks, the SB820M also uses the 100 MHz clock to generate various internal clocks, including the PCI 33-MHz clocks.

If the SB820M is set to integrated clock mode, only a 25MHz crystal for master reference and a 32-KHz crystal for the RTC are required. The SB820M will then generate all of the system clocks needed, which include the CPU, NB, and graphics reference clocks, the 25MHz clock for SATA, the 48MHz clocks for USB, and so on. Overclocking is not supported in the internal clock mode.

The requirements for clock sources for both the internal and external modes are detailed in Table 53, "System Clock Input Source Descriptions."

2.9 Power Management/ACPI

The SB820M power management/ACPI logic is identical to that of the SB700. It supports C3/C1e and stutter mode and S states.

Chapter 3 Ballout Assignment

	1	2	3	4	5	6	7	8	9	10	11	12	13	14	15
A		VSS_3	VIN0/GPIO175	VIN2/GPIO177	TEMPIN2/GPIO173	TEMPIN1/GPIO172	VIN4/GPIO179	VIN7/GBE_LED3/GPIO182	VSSIO_USB_1	USBCLK14M_25M_48M_OSC	VDDCR_11_USB_S_1	USB_HSD13N	USB_HSD9P	USB_HSD4N	
B	VDDBT_RTC_G	INTRUDER_ALERT#	TEST0	VIN1/GPIO176	TEMPIN3/TALERT#/GPIO174	TEMPIN0/GPIO171	VIN5/GPIO180	VIN6/GBE_STAT3/GPIO181	VSSIO_USB_4	VSSIO_USB_5	VDDCR_11_USB_S_2	USB_HSD13P	USB_HSD9N	USB_HSD4P	
C	32K_X1	32K_X2		TEST1/TMS	VIN3/GPIO178		TEMP_COMM		VSSIO_USB_1_4		VDDAN_11_USB_S_1		USB_HSDN		
D	USB_OC6#/IR_TX1/GEVENT6#	RTCCLK	SPI_CS3#/GBE_STAT1/GEVENT21#	USB_OC4#/IR_RX0/GEVENT16#	GBE_LED0/GPIO183	VDDAN_33_HWM_S	GBE_LED1/GEVENT9#	VSSAN_HWM	VSSIO_USB_1_7	VSSIO_USB_5	VDDAN_11_USB_S_2	VSSIO_USB_6	USB_HSD6P	VSSIO_USB_7	
E	IR_LED#/LLB#/GPIO184	SPI_DO#/GPIO163		USB_OC5#/IR_TX0/GEVENT17#	VSS_4	VSS_7	USB_OC1#/TDI/GEVENT13#	VSSAN_OC3#/AC_PRES/TDO/GEVENT15#	VSSIO_USB_9		USB_HSD12N	USB_HSD11N		USB_HSD11P	
F	SLP_S3#	PWR_BTN#	IR_RX1/GEVENT20#	SDA11/GPIO228	SCL1/GPIO227	TEST2	USB_OC2#/TCK/GEVENT14#	USB_OC0#/TRST#/GEVENT12#	VSSIO_USB_1_0		USB_HSD12P	VSSIO_USB_1_1		VSSIO_USB_1_2	
G	RSMRST#	ROM_RST#/GPIO161		VSS_40	GBE_LED2/GEVENT10#	SUS_STAT#		VSS_42	VSS_43		VSSIO_USB_1_5	USB_HSD7P		USB_HSD7N	
H	SLP_S5#	GEVENT5#	BLINK/USB_OC7#/GEVENT18#	DDR3_RST#/GEVENT7#	PWR_GOOD	WAKE#/GEVENT8#	VSS_46		USB_FSD0#/GPIO185		USB_FSD1N	VSSIO_USB_1_8		VSSIO_USB_1_9	
J	SYS_RESET#/GEVENT19#	PCI_PME#/GEVENT4#		VSS_41	SPI_DIG#/GPIO164	THRMRIP#/SMBALERT#/GEVENT2#	VSS_21	USB_FSD0N	VDDIO_33_S_6	USB_FSD1P#/GPIO186	VSSIO_USB_2_2	USB_HSD10P		USB_HSD10N	
K	RH#/GEVENT22#	LPC_PME#/GEVENT3#	GBE_STAT0#/GEVENT11#	SPI_CLK#/GPIO162					SPL_CS1#/GPIO165	VDDIO_33_S_4	VSSIO_USB_3	VSSIO_USB_2_4		VSSIO_USB_2_5	
L	A_RST#	AZ_SDIN0#/GPIO167		VSS_51	GBE_MDIO	GBE_MDCK	VDDCR_11_GBE_S_1	VSS_52	VDDCR_11_GBE_S_2	VDDIO_33_S_5		VSS_19			
M	AZ_SDIN2#/GPIO169	AZ_SDIN1#/GPIO168	AZ_BITCLK	AZ_SDIN3#/GPIO170	GBE_TXD3	VDDIO_GBE_S_1	GBE_TXCTL/XEN	VDDIO_AZ_S	GBE_PHY_RST#	VDDIO_33_GBE_S	VSS_18	VSS_44			
N	AZ_SDOUT	AZ_SYNC		VSS_50									VDDCR_11_1		VSS_9
P	PCI_RST#	AZ_RST#	VSS_22	GBE_PHY_PD	GBE_TXCLK	VSS_49	GBE_TXD0	VDDIO_GBE_S_2	GBE_TXD2	VSS_13					
R													VSS_10		VDDCR_11_2
T	GBE_COL	GBE_RXD1		GBE_CRS	GBE_RXCTL/RXDV	VDDIO_33_S_7	GBE_TXD1	VDDIO_33_S_8	GBE_RXCLK	VSS_12					
U	GBE_RXD3	GBE_RXD0	GBE_RXD2	VSS_33									VDDCR_11_4		VSS_15
V	VDDRF_GBE_S	PCIRST#		VSS_23	GBE_RXERR	VDDIO_33_PCIGP_2	GBE_PHY_INT_R	VSS_28	FANIN1/GPIO57	VSS_48	VSS_14	VDDCR_11_6			
W	PCICLK1/GPIO36	PCICLK0	PCICLK2/GPIO37	PCICLK3/GPIO38	FANOUT0/GPIO52	FANOUT1/GPIO53	FANIN0/GPIO56	FANIN2/GPIO58	VSS_29	VSS_30		VDDCR_11_8			
Y	PCICLK4/14M_OSC/GPIO39	NC2		EFUSE					FANOUT2/GPIO54	VSS_35	VSS_37	VSS_36			VSSIO_SATA_1
AA	AD0/GPIO0	VDDIO_33_PCIGP_6	AD2/GPIO2	AD1/GPIO1	AD4/GPIO4	AD8/GPIO8	VDDIO_33_PCIGP_9	CBE#	VDDIO_33_PCIGP_10	CBE3#	VSS_38	VSS_39			SATA_CALRN
AB	AD3/GPIO3	AD5/GPIO5		VDDIO_33_PCIGP_7	AD7/GPIO7	AD6/GPIO6	VSS_26		DEVSEL#		CLKRUN#	GNT3#/CLK_REQ#/GPIO46			SATA_CALRP
AC	AD12/GPIO12	AD9/GPIO9	AD10/GPIO10	AD11/GPIO11	PAR	AD15/GPIO15		VDDIO_33_PCIGP_8	VSS_27		AD25/GPIO25	REQ3#/CLK_REQ5#/GPIO42			VSSIO_SATA_4
AD	AD13/GPIO13	AD14/GPIO14		VSS_25	CBE1#	VSS_24	LOCK#	CBE2#	AD24/GPIO24		SATA_ACT#/GPIO67	GNT0#			VDDPL_33_SATA
AE	AD17/GPIO17	AD16/GPIO16	AD19/GPIO19	SERR#	VDDIO_33_PCIGP_4	PERR#	TRDY#	FRAME#	AD23/GPIO23		REQ0#	VSSIO_SATA_5			VSSIO_SATA_6
AF	AD20/GPIO20	AD22/GPIO22	AD28/GPIO28	AD27/GPIO27	STOP#	AD26/GPIO26	VDDIO_33_PCIGP_11	AD18/GPIO18	VSSIO_SATA_7	SATA_RX1P	VSSIO_SATA_8	SATA_TX2N	VSSIO_SATA_9		SATA_RX3P
AG	AD21/GPIO21	AD30/GPIO30		INTG#/GPIO34		INTF#/GPIO33		VSSIO_SATA_11		SATA_RX1N		SATA_TX2P			SATA_RX3N
AH	VDDIO_33_PCIGP_1	AD29/GPIO29	AD31/GPIO31	REQ2#/CLK_REQ8#/GPIO41	REQ1#/GPIO40	GNT2#/GPIO45	VSSIO_SATA_12	SATA_RX0P	SATA_TX0P	SATA_TX1P	VSSIO_SATA_13	SATA_RX2P	VSSIO_SATA_14		SATA_TX3P
AJ		VSS_1	IRDY#	INTH#/GPIO35	GNT1#/GPIO44	INTE#/GPIO32	VSSIO_SATA_16	SATA_RX0N	SATA_TX0N	SATA_TX1N	VSSIO_SATA_17	SATA_RX2N	VSSIO_SATA_18		SATA_TX3N

Figure 11: SB820M Ballout Assignment (Left)

16	17	18	19	20	21	22	23	24	25	26	27	28	29	
USB_HSD0P	USB_HSD1N	VDDAN_33_U SB_S_1	VDDAN_33_U SB_S_2	VDDAN_33_U SB_S_3	VDDIO_33_S 1	KSO_16/GPIO 225	KSO_13/GPIO 222	KSO_6/GPIO2 15	KSO_8/GPIO2 17	KSO_4/GPIO2 13	KSO_1/GPIO2 10	VSS_2		A
USB_HSD0N	USB_HSD1P	VDDAN_33_U SB_S_4	VDDAN_33_U SB_S_5	VDDAN_33_U SB_S_6	VDDIO_33_S 3	KSO_17/GPIO 226	KSO_12/GPIO 221	KSO_10/GPIO 219	KSO_7/GPIO2 16	SCL3_LV/GPI O195	KSO_2/GPIO2 11	KSO_0/GPIO2 09	VSS_32	B
USB_HSD5N		VDDAN_33_U SB_S_7		VDDAN_33_U SB_S_8		KSO_15/GPIO 224		KSO_11/GPIO 220		KSO_5/GPIO2 14		KSI_7/GPIO20 8	KSI_6/GPIO20 7	C
USB_HSD5P	VSSIO_USB_8	VDDAN_33_U SB_S_9	VDDAN_33_U SB_S_10	VDDAN_33_U SB_S_11	VDDIO_33_S 2	KSO_14/GPIO 223	VSS_5	KSO_9/GPIO2 18	SCL2/GPIO193	KSO_3/GPIO2 12	PS2KB_DATA/G PIO198	KSI_5/GPIO20 6	KSI_4/GPIO20 5	D
USB_HSD3N		USB_HSD3P	VDDAN_33_U SB_S_12		EC_PWM3/EC TIMER3/GPI O200	EC_PWM1/EC TIMER1/GPI O198	RS2_DAT/SDA 4/GPIO187	PS2_CLK/SCL 4/GPIO188	VSS_6	SDA3_LV/GPI O196	PS2M_CLK/GP IO192	KSI_2/GPIO20 3	KSI_3/GPIO20 4	E
VSSIO_USB_1 3	VSSIO_USB_1 6	VDDPL_33_U B_S			SPI_CS2/IGB E_STAT2/GPI O186	EC_PWM2/EC TIMER2/GPI O199	SDA2/GPIO195	VSS_8	EC_PWM0/EC TIMER0/GPI O197	VDDCR_11_S _1		PS2KB_CLK/G PIO193	PS2M_DATA/G PIO191	F
USB_HSD6P	USB_HSD6N	USB_RCOMP			ALLOW_LDTS TP/DMA_ACTI VE#	LDT_STP#		KSI_0/GPIO20 1	KSI_1/GPIO20 2	VDDCR_11_S _2	NC1	LFRAME#	FC_RST#/GPO 160	G
VSSIO_USB_2 0	VSSIO_USB_2 1	VSSIO_USB_2 8			PROCHOT#		VSSIO_PCIEC LK_14	LPCLK0	LPCLK1	VSSIO_PCIEC LK_15		LAD3	LAD2	H
USB_HSD2P	USB_HSD2N	VSSIO_USB_2 3	VDDAN_11_C LK_6	VDDAN_11_C LK_5	VDDAN_11_C LK_8	VSSIO_PCIEC LK_13	LDT_RST#	LDRQ0#	LAD1	LAD0	VDDAN_11_C LK_3	LPC_SMI#/GE VENT23#		J
VSSIO_USB_2 6	VSSIO_USB_2 7	LDT_PG	VSSIO_PCIEC LK_27	VDDAN_11_C LK_7						VDDAN_11_C LK_4	VDDAN_11_C LK_1	VDDAN_11_C LK_2		K
	VSS_20	VDDXL_33_S	VSSIO_PCIEC LK_26	VDDPL_11_SY S_S	GPP_CLK4N	GPP_CLK4P	14M_25M_48M OSC	25M_X1	25M_X2	GPP_CLK0N	GPP_CLK0P			L
	VSS_16	VSSXL	VSSPL_SYS	VDDPL_33_SY S	VSSIO_PCIEC LK_3	VSSIO_PCIEC LK_4	GPP_CLK5N	VSSIO_PCIEC LK_5		GPP_CLK2N	GPP_CLK2P			M
VDDCR_11_3										GPP_CLK7P	GPP_CLK7N	GPP_CLK1N	GPP_CLK1P	N
VSS_11			VSSIO_PCIEC LK_2	VSSIO_PCIEC LK_1	VSSIO_PCIEC LK_6	PCIE_RCLKN/ NB_LNK_CLK N	VSSIO_PCIEC LK_7	GPP_CLK5P	VSSIO_PCIEC LK_8			GPP_CLK6N	GPP_CLK6P	P
														R
			VSSIO_PCIEC LK_9	GPU_HT_CLK N	VSSIO_PCIEC LK_10	SLT_GFX_CLK N	VSSIO_PCIEC LK_11	GPP_CLK3P	NB_HT_CLKP	NB_HT_CLKN	GPP_CLK8N	GPP_CLK8P		T
VDDCR_11_5									VDDAN_11_P CIE_1		NB_DISP_CLK N	NB_DISP_CLK P		U
	VDDCR_11_7	VSS_17	VSSIO_PCIEC LK_12	GPU_HT_CLK P	VDDAN_11_P CIE_2	SLT_GFX_CLK P	NC3	GPP_CLK3N	VDDAN_11_P CIE_3	VDDAN_11_P CIE_4	VDDAN_11_P CIE_5	VDDAN_11_P CIE_6		V
	VDDCR_11_9		VSSIO_PCIEC LK_24	VSSIO_PCIEC LK_23	VDDAN_11_P CIE_7	NC4	NC5	NC6	VDDAN_11_P CIE_8		NC7	NC8		W
VSSIO_SATA_2	VSS_34	VDDIO_33_PC IGP_3	VSSIO_PCIEC LK_22	GPP_RX0N						NC9	NC10	GPP_TX1N	GPP_TX1P	Y
CLK_REQ3#/S ATA_IS1#/GPI O63	LDRQ1#/CLK REQ6#/GPIO4 9	VDDIO_33_PC IGP_12	CLK_REQ6#/G PIO65/OSCI N	VSSIO_PCIEC LK_16	GPP_RX0P	VSSIO_PCIEC LK_17	GPP_RX1N	GPP_RX1P	VSSIO_PCIEC LK_20			GPP_TX0P	GPP_TX0N	AA
VSSIO_SATA_3	CLK_REQ1#/F ANOUT4/GPIO 61	SERIRQ/GPIO 48		SMARTVOLT1/ SATA_IS2#/GP IO50		VSSIO_PCIEC LK_18	A_RX3N	A_RX3P	A_TX3P	A_TX3N	A_TX2N	A_TX2P		AB
SATA_X2	CLK_REQ0#/S ATA_IS3#/GPI O60	NB_PWRGD	VDDIO_33_PC IGP_5	VDDIO_18_FC 4			A_RX2P	A_RX2N	VSSIO_PCIEC LK_21		A_TX1P	A_TX1N		AC
SATA_X1	VDDAN_11_S ATA_6	CLK_REQ4#/S ATA_IS0#/GPI O64		GA20IN/GEVE NT0#	SCL0/GPIO43	VSSIO_PCIEC LK_19	A_RX1N	A_RX1P	A_TX0P	A_TX0N	PCIE_CALRN	PCIE_CALRP		AD
VDDAN_11_S ATA_7	VDDAN_11_S ATA_5	SATA_IS5#/FA NIN3/GPIO59		KBRSTW/GEVE NT1#	SDA0/GPIO47	A_RX0N	A_RX0P	VDDIO_18_FC 2	VSSIO_PCIEC LK_25		VDDPL_33_PC IE	FC_CE2#/GPI OD150		AE
VSSIO_SATA_10	SATA_TX4N	VDDAN_11_S ATA_4	SATA_IS4#/FA NOUT3/GPIO5 5	FC_ADO8/GPI OD136	VDDIO_18_FC 1	FC_ADO11/GP IOD139	VDDIO_18_FC 3	VSS_46	FC_FBCLKIN	FC_CE1#/GPI OD149	FC_OE#/GPI D145	FC_INT1/GPIO D144		AF
	SATA_TX4P	VDDAN_11_S ATA_3		FC_ADO7/GPI OD135		FC_ADO4/GPI OD132		FC_ADO14/GP IOD142	FC_WE#/GPI D148			FC_AVB#/GPI OD146		AG
VSSIO_SATA_15	SATA_RX4P	SATA_TX5N	SATA_RX5N	VDDAN_11_S ATA_2	CLK_REQ2#/F ANIN4/GPIO62	FC_ADO5/GPI OD133	FC_ADO3/GPI OD131	FC_ADO2/GPI OD130	FC_ADO15/GP IOD143	FC_INT2/GPIO D147	FC_CLK	VSS_47		AH
VSSIO_SATA_19	SATA_RX4N	SATA_TX5P	SATA_RX5P	VDDAN_11_S ATA_1	SMARTVOLT2/ SHUTDOWN#/G PIO51	FC_ADO6/GPI OD134	FC_ADO10/GP IOD138	FC_ADO12/GP IOD140	FC_ADO13/GP IOD141	FC_ADO1/GPI OD129	FC_ADO0/GPI OD128	VSS_31		AJ
16	17	18	19	20	21	22	23	24	25	26	27	28	29	

Figure 12: SB820M Ballout Assignment (Right)

Chapter 4 Pin Descriptions

Note: For multi-functional pins, go to the relevant section for description of a specific function (e.g., for USB_FSD1P/GPIO186, the USB_FSD1P function is described in Section 4.6, "USB Interface," and the GPIO186 function is described in Section 4.15, "General Purpose I/O").

4.1 CPU Interface Pin Descriptions

Table 7. CPU Interface Pin Descriptions

Pin name	Type	Voltage	Functional Description
ALLOW_LDTSTP/ DMA_ACTIVE#	In/ OD	VDDIO_33_S (0.8V threshold)	See Table 18, "Table 18. Power Management Interface Pin Descriptions."
LDT_PG	OD	VDDIO_33_S (0.8V threshold)	LDT Power Good
LDT_RST#	OD	VDDIO_33_S (0.8V threshold)	See Table 20, Reset/Clocks/ATE/JTAG Interface Pin Descriptions.
LDT_STP#	OD	VDDIO_33_S (0.8V threshold)	<p>Assertion of LDTSTOP# on the CPU causes it to enter C3, or S1/S2/S3/S4/S5. Assertion takes place:</p> <ul style="list-style-type: none"> (a) for S1/S2/S3/S4/S5: after SUS_STAT# is asserted; (b) for C3: after the STPGNT message is received by the system. <p>Deassertion of LDTSTOP_L causes the CPU to return to C0 or S0 state. Deassertion takes place following a wake-up event:</p> <ul style="list-style-type: none"> (a) in S1: at an interval (programmed by an SB register) after deassertion of CPU_STP#; (b) in S3/S4/S5: after SB PWR_GOOD is asserted; (c) in C3: at an interval (programmed by an SB register) <p>Both the NB and SB can control the LDT_STP# during C state.</p>
PROCHOT#	I	VDDIO_33_S (0.8V threshold)	Processor Hot: Similar to TALERT#. When it is asserted, it can generate SCI or SMI to OS/BIOS

4.2 LPC Interface Pin Descriptions

Table 8. LPC Interface Pin Descriptions

Pin Name	Type	Voltage	Functional Description
GA20IN/GEVENT0#	I	3.3V (5-V tolerance)	A20 Gate Input from SIO / General Event 0
KBRST#/ GEVENT1#	I	3.3V (5-V tolerance)	Keyboard reset# / General Event 1
LAD[3:0]	I/O	VDDIO_33_S	Multiplexed Command / Address/Data [3:0]
LDRQ0#	I	VDDIO_33_S	Encoded DMA Bus Master Request 0
LDRQ1#/ CLK_REQ6#/ GPIO49	I/O	3.3V (5-V tolerance)	Encoded DMA Bus Master Request 1 / Clock Request 6 / GPIO 49
LFRAME#	O	VDDIO_33_S	LPC Bus Frame. Indicates start of a new cycle or termination of a broken cycle.
LPCCLK0	O	VDDIO_33_S	33MHz LPCCLK for LPC device such as flash ROM
LPCCLK1	O	VDDIO_33_S	33MHz LPCCLK for LPC device such as SIO device
LPC_SMI#/ GEVNT23#	I	VDDIO_33_S	LPC SMI / General Event 23
SERIRQ/GPIO48	I/O	3.3V (5-V tolerance)	Serial IRQ / GPIO 48

Note: LPCCLK0 can be assigned to any LPC device. This clock is active during S2 – S5 states. LPCCLK1 and PCI Clock can be used for additional LPC devices that do not require clock in S2 –S5 states.

4.3 A-Link Express II Interface Pin Descriptions

Table 9. A-Link Express II Interface Pin Descriptions

Pin Name	Type	Voltage	Functional Description
A_TX[3:0]P	O	1.1V (Filtered)	A-Link Express II Lane 3-0 Transmit Positive
A_TX[3:0]N	O		A-Link Express II Lane 3-0 Transmit Negative
A_RX[3:0]P	I		A-Link Express II Lane 3-0 Receive Positive
A_RX[3:0]N	I		A-Link Express II Lane 3-0 Receive Negative

Pin Name	Type	Voltage	Functional Description
PCIE_CALRP	I/O		Pad connection to an external resistor to VSS_PCIE on board. For TX impedance calibration.
PCIE_CALRN	I/O		Pad connection to an external resistor to VDDAN_11_PCIE on board. For RX impedance calibration.
PCIE_RCLKP/ NB_LNK_CLKP	I/O		Internal clock mode: NB_LINK_CLKP. Positive phase 100MHz reference clock output for A-Link Express II External clock mode: PCEI_RCLKP. Positive phase 100MHz reference clock input
PCIE_RCLKN/ NB_LNK_CLKN	I/O		Internal clock mode: NB_LINK_CLKN. Negative phase 100MHz reference clock output for A-Link Express II External clock mode: PCEI_RCLKN. Negative phase 100MHz reference clock input

4.4 General Purpose PCI Express® Ports Interface

Table 10. General Purpose PCI Express® Ports Interface Pin Descriptions

Pin Name	Type	Voltage	Functional Description
GPP_TX[1:0]P	O		Transmit positive for general purpose PCIe® ports lane 1 and 0
GPP_TX[1:0]N	O		Transmit negative for general purpose PCIe ports lane 1 and 0
GPP_RX[1:0]P	I	1.1V (Filtered)	Receive positive for general purpose PCIe ports lane 1 and 0 Receive Positive
GPP_RX[1:0]N	I		Receive negative for general purpose PCIe ports lane 1 and 0 Receive Positive

4.5 PCI Interface (PCI Host Bus and Internal PCI/PCI Bridge)

Table 11. PCI Interface (PCI Host Bus and Internal PCI/PCI Bridge) Pin Description

Pin Name	Type	Voltage	Functional Description
AD[31:0]/ GPIO[31:0]	I/O	3.3V (5-V tolerance)	PCI Bus Address/Data [31:0] / GPIO[31:0]

Pin Name	Type	Voltage	Functional Description
CBE[3:0]#	I/O	3.3V (5-V tolerance)	Command/Byte Enable[3:0]
CLKRUN#	I/O	3.3V (5-V tolerance)	Clock running is deasserted by the clock provider to indicate the system is about to shut down the PCI clock. When it is driven low by other agents, it means the agent is requesting the clock provider not to deactivate the clock.
DEVSEL#	I/O	3.3V (5-V tolerance)	Device Select. Driven by target to indicate it has decoded its address as the target of the current access.
FRAME#	I/O	3.3V (5-V tolerance)	Cycle Frame. Driven by the current master to indicate the beginning and duration of an access.
GNT0#	O	3.3V (5-V tolerance)	PCI Bus Grant 0 from the SB. Indicates to the agent that access to the bus has been granted.
GNT1#/GPO44	O	3.3V (5-V tolerance)	PCI Bus Grant1/ GPO44 PCI Bus Grant 1 from the SB: indicates to the agent that access to the bus has been granted. Pin muxed with GPIO44
GNT2#/GPO45	O	3.3V (5-V tolerance)	PCI Bus Grant2/ GPO45 PCI Bus Grant 2 from the SB: indicates to the agent that access to the bus has been granted. Pin muxed with GPIO45
GNT3#/CLK_REQ7# /GPIO46	I/O	3.3V (5-V tolerance)	PCI Bus Grant 3 / CLK_REQ7# / GPIO46 PCI Bus Grant 3 from the SB: indicates to the agent that access to the bus has been granted. Pin muxed with GPIO46
INT[H:E]#/ GPIO[35:32]	I/O	3.3V (5-V tolerance)	PCI Interrupt [H:E] / GPIO [35:32]
IRDY#	I/O	3.3V (5-V tolerance)	Initiator Ready: indicates the initiating agent's ability to complete the current data phase of the transaction
LOCK#	I/OD	3.3V (5-V tolerance)	PCI Bus Lock
PAR	I/O	3.3V (5-V tolerance)	PCI Bus Parity
PCICLK0	O	3.3V (5-V tolerance)	33 MHz PCI clock 0
PCICLK1/GPO36	O	3.3V (5-V tolerance)	33 MHz PCI clock 1 / GPIO36
PCICLK2/GPO37	O	3.3V (5-V tolerance)	33 MHz PCI clock 2 / GPIO37

Pin Name	Type	Voltage	Functional Description
PCICLK3/GPO38	O	3.3V (5-V tolerance)	33 MHz PCI clock 3 / GPIO38
PCICLK4/14M_OSC /GPO39	O	3.3V (5-V tolerance)	33 MHz PCI clock 4 / 14M_OSC / GPO39
PCIRST#	O	3.3V (5-V tolerance)	Hardware Reset for PCI Slots Deassertion after SB_PWRGD assertion on power up or resume from S3 and S4. Asserted sometime after SB PWR_GOOD is deasserted during power off or during a transition into S4/S5.
PERR#	I/O	3.3V (5-V tolerance)	Parity Error. Reports data parity errors during all PCI transactions, except in a special cycle.
REQ0#	I	3.3V (5-V tolerance)	PCI Request 0 Input Request 0 Input. Indicates that the agent desires use of the bus.
REQ1#/GPIO40	I	3.3V (5-V tolerance)	PCI Request 1 Input / GPIO 40 Request 1 Input. Indicates that the agent desires use of the bus.
REQ2#/ CLK_REQ8#/ GPIO41	I	3.3V (5-V tolerance)	PCI Request 2 Input / CLK_REQ8# / GPIO 41 Request 2 Input. Indicates that the agent desires use of the bus
REQ3#/CLK_REQ5# /GPIO42	I	3.3V (5-V tolerance)	PCI Request 3 Input / CLK_REQ5# / GPIO 42 Request 3 Input. Indicates that the agent desires use of the bus.
SERR#	I/OD	3.3V (5-V tolerance)	System Error. For reporting address parity errors and data parity errors on the special cycle command, or any other system error where the result will be catastrophic.
STOP#	I/O	3.3V (5-V tolerance)	Stop. Indicates the current target is requesting the master to stop the current transaction
TRDY#	I/O	3.3V (5-V tolerance)	Target Ready. Indicates the target agent's ability to complete the current data phase of the transaction.

4.6 USB Interface

Table 12. USB Interface Pin Descriptions

Pin Name	Type	Voltage	Functional Description
USB_HSD[13:0]P	I/O	VDDAN_33_US B	USB Port 13 ~ 0 Positive I/O
USB_HSD[13:0]N	I/O	VDDAN_33_US B	USB Port 13 ~ 0 Negative I/O
USB_FSD1P/ GPIO186	I/O	VDDIO_33_S	USB port 1 (full/low speed) Positive I/O / GPIO 186
USB_FSD0P/ GPIO185	I/O	VDDIO_33_S	USB port 0 (full/low speed) Positive I/O / GPIO 185
USB_FSD[1:0]N	I/O	VDDIO_33_S	USB port 1:0 (full/low speed) Negative I/O
USBCLK/ 14M_25M_48M_O SC	I/O	VDDPL_33_USB	14, 25, or 48-MHz output clock (not used as USB clock on SB820M platforms)
USB_RCOMP	I	VDDPL_33_USB	Compensating resistors input.
USB_OC0#/TRST#/ GEVENT12#	I/O	VDDIO_33_S	USB Over Current 0# / JTAG Reset/ GEVENT12#
USB_OC1#/TDI/ GEVENT13#	I/O	VDDIO_33_S	USB Over Current 1# / JTAG Data In/ GEVENT13#
USB_OC2#/TCK/ GEVENT14#	I/O	VDDIO_33_S	USB Over Current 2# / JTAG Clock/ GEVENT14#
USB_OC3#/ AC_PRESENT/TDO/ GEVENT15#	I/O	VDDIO_33_S	USB Over Current 3# / AC Power Present/JTAG Data Out/ GEVENT15#
USB_OC4#/ IR_RX0/ GEVENT16#	I/O	VDDIO_33_S	USB Over Current 4# / IR_RX0 / GEVENT16#
USB_OC5#/ IR_TX0/ GEVENT17#	I/O	VDDIO_33_S	USB Over Current 5# / IR_TX0 / GEVENT17#
USB_OC6#/ IR_TX1/ GEVENT6#	I/O	VDDIO_33_S	USB Over Current 6# / IR TX1 / GEVENT6#

Pin Name	Type	Voltage	Functional Description
BLINK/USB_OC7#/GEVENT18#	I/O	VDDIO_33_S	BLINK / USB Over Current 7#/ GEVENT18#

Notes:

(1) The USB_HSD[13:0]P and USB_HSD[13:0]N signals are used for connecting internal or external USB devices through the USB Port connectors. These ports are handled by users and are subject directly to ESD events to either the connector, the device, or to the pins themselves. The USB_HSDP and USB_HSDN signals that may be exposed to the user through an USB port connection must have ESD protection.

(2) The USB_FSD[1:0]P and USB_FSD[1:0]N signals are used only for connecting to internal devices. They support only full or low, but not high speed devices.

(3) The USBCK/14M_25M_48M_OSC pin output a 14.318MHz clock on the first power up if the internal system clock generator mode strap is selected.

4.7 Flash Interface

Note: The flash controller function is **NOT** supported by the SB820M. The alternative functionality of these pins, such as GPIO, will still be supported. The pins on the flash interface should be connected as described in the *AMD SB800-Series Southbridges Schematic Review Checklist*.

Table 13. Flash Interface Pin Descriptions

Pin Name	Type	Voltage	Functional Description
FC_RST#/GPO160	OD	VDDIO_33_S (5-V tolerance)	Flash reset/General purpose output 160
FC_CLK	O	1.8V (3.3-V tolerance)	Flash clock
FC_FBCKIN	I	1.8V (3.3-V tolerance)	Flash feedback clock input
FC_FBCLKOUT	O	1.8V (3.3-V tolerance)	Flash feedback clock output
FC_ADQ[15:0]/ GPIO[143:128]	I/O	1.8V (3.3-V tolerance)	Flash data bus/ GPIO [143:128]
FC_OE#/GPIO145	I/O	1.8V (3.3-V tolerance)	Flash output enable / GPIO145
FC_AVD#/ GPIO146	I/O	1.8V (3.3-V tolerance)	Flash address valid detect / GPIO146
FC_INT1/ GPIO144	I/O	1.8V (3.3-V tolerance)	Flash interrupt 1 / GPIO144

Pin Name	Type	Voltage	Functional Description
FC_INT2/GPIOD147	I/O	1.8V (3.3-V tolerance)	Flash interrupt 2 / GPIOD147
FC_WE#/GPIOD148	I/O	1.8V (3.3-V tolerance)	Flash write enable / GPIOD148
FC_CE1#/GPIOD149	I/O	1.8V (3.3-V tolerance)	Flash chip enable 1 / GPIOD149
FC_CE2#/GPIOD150	I/O	1.8V (3.3-V tolerance)	Flash chip enable 2 / GPIOD150

Note: FC I/O is 1.8-V I/O with 3.3-V GPI (3.3-V input tolerance) or OD GPIO when FC is disabled.

4.8 Serial ATA Interface

Table 14. Serial ATA Interface Pin Descriptions

Pin Name	Type	Voltage	Functional Description
SATA_ACT#/GPIO67	OD	3.3V	SATA Channel Active / GPIO 67
SATA_CALRP	I	1.1V (Filtered)	Pad connection to an external resistor to VSS_SATA on the motherboard, for TX impedance calibration
SATA_CALRN	I	1.1V (Filtered)	Pad connection to an external resistor to VDD_SATA on the motherboard, for RX impedance calibration
SATA_RX[5:0]N	I	1.1V (Filtered)	SATA Channel[5:0] Receive Negative
SATA_RX[5:0]P	I	1.1V (Filtered)	SATA Channel[5:0] Receive Positive
SATA_TX[5:0]N	O	1.1V (Filtered)	SATA Channel[5:0] Transmit Negative
SATA_TX[5:0]P	O	1.1V (Filtered)	SATA Channel[5:0] Transmit Positive
SATA_X1	I	3.3V (Filtered)	SATA 25MHz crystal clock input (external clock chip mode)
SATA_X2	O	3.3V (Filtered)	SATA 25MHz crystal clock input (external clock chip mode)
CLK_REQ4#/SATA_IS0#/GPIO64	I/O	3.3V	PCIe® Clock Request 4#/ SATA Interlock Switch Port 0 (Input) / GPIO 64
CLKREQ3#/SATA_IS1#/GPIO63	I/O	3.3V	PCIe clock request 3#/ SATA Interlock Switch Port 1 (Input) / GPIO 63

Pin Name	Type	Voltage	Functional Description
SMARTVOLT1/ SATA_IS2#/ GPIO50	I/O	3.3V	Reduce system voltages / SATA Interlock Switch Port 2 (input) / GPIO 50
CLKREQ0#/ SATA_IS3#/ GPIO60	I/O	3.3V	PCIe clock request 0# / SATA Interlock Switch Port 3 (input) / GPIO 60
SATA_IS4#/ FANOUT3/ GPIO55	I/O	3.3V	SATA Interlock Switch Port 4 (input) / Fan control output3 / GPIO 55
SATA_IS5#/ FANIN3/ GPIO59	I/O	3.3V	SATA Interlock Switch Port 5 (input) / Fan Tach In3 / GPIO 59

Note: Each port has a pin (SATA_IS) for sensing the status of the external interlock switch. If the motherboard implements SATA interlock switches, it should connect the statuses of the switches to those pins. The SB can sense such statuses and, when they change, generate a PME or interrupt. Normally, an inter-lock switch is required for supporting hot plug.

4.9 HD Audio Interface

Table 15. HD Audio Interface Pin Descriptions

Pin Name	Type	Voltage	Functional description
AZ_BITCLK	O	VDDIO_33_S/ S5_1.5V	HD Audio Interface Bit Clock
AZ_RST#	O	VDDIO_33_S/ S5_1.5V	HD Audio Interface Reset
AZ_SDIN[3:0]/ GPIO[170:167]	I/O	VDDIO_33_S/ S5_1.5V	HD Audio Serial Data Input from Codec [3:0] / GPIO [170:167]
AZ_SDOUT	O	VDDIO_33_S/ S5_1.5V	HD Audio Serial Data Output to Codec
AZ_SYNC	O	VDDIO_33_S/ S5_1.5V	HD Audio Sync signal to Codec

4.10 Real Time Clock Interface

Table 16. Real Time Clock Interface

Pin Name	Type	Voltage	Functional Description
32K_X1	I	VDDIO_33_S/ VDDBT_RTC_G	RTC crystal oscillator input 1 (internal RTC)
32K_X2	O	VDDIO_33_S/ VDDBT_RTC_G	RTC crystal oscillator input 2 (internal RTC)
RTCCLK	I/O	VDDIO_33_S	32 kHz output for internal RTC
VDDBT_RTC_G	I	VDDBT_RTC_G	RTC battery supply
INTRUDER_ALER T#	I	VDDBT_RTC_G	Intruder alert sense input

4.11 SPI ROM Interface

SPI ROM is supported up to 33 MHz. The burst read and fast read cycles are not supported.

Table 17. SPI ROM Interface Pin Descriptions

Pin Name	Type	Voltage	Functional Description
SPI_CS#/GPIO165	I/O	VDDIO_33_S	SPI Chip Select# / GPIO 165
SPI_CS2#/ GBE_STAT2/ GPIO166	I/O	VDDIO_33_S	SPI Chip Select2#/ Gigabit LAN status2/ GPIO 166
SPI_CS3#/ GBE_STAT1/ GEVENT21#	I/O	VDDIO_33_S	SPI Chip Select3# / Gigabit LAN status1/GEVENT 21
SPI_CLK/GPIO162	I/O	VDDIO_33_S	SPI Clock / GPIO 162
SPI_DI/GPIO164	I/O	VDDIO_33_S	SPI Data In / GPIO 164
SPI_DO/GPIO163	I/O	VDDIO_33_S	SPI Data Output / GPIO 163

4.12 Power Management Interface

Table 18. Power Management Interface Pin Descriptions

Pin Name	Type	Voltage	Functional Description
ALLOW_LDTSTP/ DMA_ACTIVE#	In/OD	VDDIO_33_S (0.8V threshold)	ALLOW LDT STOP/DMA active ALLOW_LDT_STOP Input from NB to allow assertion of LDT_STP#. When ALLOW_LDTSTP is deasserted, SB cannot assert LDT_STP#. ALLOW_LDTSTP is used to implement stutter mode operation for the CPU. DMA active: In CLMC mode the SB will drive the ALLOW_LDTSTP/DMA_ACTIVE# to NB to inform NB when it can assert LDT_STP#.
LDT_PG	OD	VDDIO_33_S (0.8V threshold)	LDT Power Good
LDT_STP#	OD	VDDIO_33_S (0.8V threshold)	Assertion of LDTSTOP# on the CPU causes it to enter C3, or S1/S2/S3/S4/S5. Assertion takes place: (a) for S1/S2/S3/S4/S5: after SUS_STAT# is asserted; (b) for C3: after the STPGNT message is received by the system. Deassertion of LDTSTOP_L causes the CPU to return to C0 or S0 state. Deassertion takes place following a wake-up event: (a) in S1: at an interval (programmed by an SB register) after deassertion of CPU_STP#; (b) in S3/S4/S5: after SB PWR_GOOD is asserted; (c) in C3: at an interval (programmed by an SB register) Both the NB and SB can control the LDT_STP# during C state.
CLK_REQG#/ GPIO65/OSCIN/ IDLEEXIT#	I	3.3V (5-V tolerance)	PCI Express [®] Graphic Slot Clock Request / GPIO 65 / 14.318MHz OSC Input / IDLEEXIT# IDLEEXT#: This is used by CPU to cause a break event to SB to exit C3/C1e state.
LPC_PME#/ GEVENT3#	I/O	VDDIO_33_S	LPC PME# Power management signal for LPC interface. Can be used as input / General Event 3 if not used for LPC PME function.
LPC_SMI#/ GEVNT23#	I/O	VDDIO_33_S	LPC SMI Input / General Event 23

Pin Name	Type	Voltage	Functional Description
PCI_PME#/ GEVENT4#	I/O	VDDIO_33_S	PCI PME Input / General Event 4
PWR_BTN#	I	VDDIO_33_S	Power Button. The Power Button causes an SMI or SCI to indicate a system request to go to a sleep state. If the system is already in a sleep state, this signal will cause a wake event. If PWRBTN# is pressed for more than 4 seconds, it will cause an unconditional transition (power button override) to the S5 state with only the PWRBTN# available as a wake event. Override will occur even if the system is in the S1 state. This signal has an internal pull-up resistor.
PWR_GOOD	I	VDDIO_33_S	SB power good input Assertion of PWR_GOOD by the SB power good circuit on the motherboard indicates that power supplies to the SB are valid. Assertion takes place sometime after NB Power Good is asserted. Deassertion of PWR_GOOD by the SB power good circuit indicates that the power supplies to the SB are NOT valid. Deassertion takes place sometime after SLP_S3# or SLP_S5#'s assertion, or after Power Supply Power Good is deasserted.
RI#/GEVNT22#	I/O	VDDIO_33_S	Ring Indicator / General Event 22
SMARTVOLT2/ SHUTDOWN#/ GPIO51	I/O	3.3V (5-V tolerance)	Set system rails to lower voltage / System Shutdown / GPIO51 System Shutdown: Assertion will cause the SB to assert SLP_S3# and SLP_S5# to force system to transition to S5 immediately, without waiting for the STPGNT message from the processor.
SLP_S3#	O	VDDIO_33_S	S3 Sleep Power plane control Assertion of SLP_S3# shuts off power to non-critical components when system transitions to S3, S4, or S5 states. Assertion takes place sometime after CPU_STP# is asserted. Deassertion of SLP_S3# turns on power to non-critical components when system transitions from S3, S4, or S5 back to S0. Deassertion takes place sometime after a wake-up event has been triggered.

Pin Name	Type	Voltage	Functional Description
SLP_S5#	O	VDDIO_33_S	<p>S5 Sleep Power plane control -</p> <p>Assertion of SLP_S5# shuts power off to non-critical components when system transitions to S4 or S5 state. Assertion takes place sometime after CPU_STP# is asserted.</p> <p>Deassertion of SLP_S5# turns on power to non-critical components when transitioning from S4/S5 back to S0 state. Deassertion takes place sometime after a wake-up event is triggered.</p>
THRMTRIP#/ SMBALERT#/ GEVENT2#	I/O	VDDIO_33_S	<p>Thermal Trip / SMBus Alert / General Event 2</p> <p>Thermal Trip: Signal indicates to the SB that a thermal trip has occurred. Its assertion will cause the SB to transition the system to S5 immediately, without waiting for the STPGNT message from the processor.</p>
SUS_STAT#	OD	VDDIO_33_S	<p>Suspend Status –</p> <p>Assertion by the SB indicates that the system will be entering a low-power state soon. The signal is monitored by those devices with memory that needs to switch from normal refresh to suspend refresh mode when the system transitions to a low-power state. Assertion takes place after the Stop Grant message from the CPU is received by the system.</p> <p>Deassertion by the SB indicates that the system is exiting a low power state now and is returning to S0. Deassertion takes place after LDT_STP# is deasserted.</p>
TEMPIN3/ TALERT#/ GPIO174	I/O	VDDIO_33_S	<p>Temperature Monitor Input 3/ Thermal Alert / GPIO 174</p> <p>Thermal Alert: The signal is a thermal alert to the SB. SB can be programmed to generate an SMI, SCI, or IRQ13 through GPE, or generate an SMI without GPE in response to the signal's assertion. See the <i>AMD SB800-Series Southbridges Register Reference Guide (PID# 45482)</i> for details.</p>

Pin Name	Type	Voltage	Functional Description
WAKE#/ GEVENT8#	I/O	VDDIO_33_S	<p>PCI Express® Wake /General Event 8</p> <p>PCI Express Wake: On Power up this pin will function as WAKE# in legacy mode. Optionally, WAKE# in native mode can be enabled after power up, only by software. When the pin is asserted (active low) the Southbridge will generate the wake event. The WAKE# function is supported in S5 through S0, with the following restriction:</p> <p><i>Wake function in S5 state</i>—When transitioning from G3 to S5, the WAKE# function will not be enabled. However, after an initial transition from S5 to S0 and back to S5, the WAKE# function will be enabled. It will stay enabled for any subsequent transition from S0 to S5.</p> <p>Care must be taken when plugging in PCIe® devices. The system should be transitioned into the G3 state (S5 power off) before a PCIe device is installed. Plugging in a PCIe device when the system is in S5 state may cause the system to wake up, because the WAKE# signal driven by the PCIe device may transition momentarily to the active state when the device is installed but has not been initialized to drive the signal in an inactive state.</p>
NB_PWRGD	OD	3.3V	Northbridge Power good

4.13 SMBus Interface

Table 19. SMBus Interface Pin Descriptions

Pin Name	Type	Voltage	Functional Description
SCL0/GPIO43	I/OD	3.3V (5-V tolerance)	SMBus Clock 0 / GPIO 43 Note: Pin type is I/O when configured as GPIO.
SDA0/GPIO47	I/OD	3.3V (5-V tolerance)	SMBus Data 0 / GPIO 47 Note: Pin type is I/O when configured as GPIO.
SCL1/GPIO227	I/OD	VDDIO_33_S	SMBus Clock 1 / GPIO 227 This SMBus Clock is for supporting an ASF interface. Note: Pin type is I/O when configured as GPIO.
SDA1/GPIO228	I/OD	VDDIO_33_S	SMBus Data 1 / GPIO 228 This SMBus Data is for supporting an ASF interface. Note: Pin type is I/O when configured as GPIO.

Pin Name	Type	Voltage	Functional Description
SCL2/GPIO193	I/OD	VDDIO_33_S	SMBus Clock 2/GPIO 193 Note: Pin type is I/O when configured as GPIO.
SDA2/GPIO194	I/OD	VDDIO_33_S	SMBus Data 2/GPIO 194 Note: Pin type is I/O when configured as GPIO.
SCL3_LV/GPIO195	I/OD	VDDIO_33_S domain (0.8V threshold)	SMBus Clock 3/GPIO 195 Note: Pin type is I/O when configured as GPIO.
SDA3_LV/GPIO196	I/OD	VDDIO_33_S domain (0.8V threshold)	SMBus Data 3/GPIO 196 Note: Pin type is I/O when configured as GPIO.
PS2_CLK/SCL4/GPIO188	I/OD	VDDIO_33_S	Aux PS2 Clock / SMBus Clock 4/GPIO 188 Note: Pin type is I/O when configured as GPIO.
PS2_DAT/SDA4/GPIO187	I/OD	VDDIO_33_S	Aux PS2 Data / SMBus Data 4/GPIO 184 Note: Pin type is I/O when configured as GPIO.
THRMTRIP#/ SMBALERT#/ GEVENT2#	I/O	VDDIO_33_S	Thermal Trip / SMBus Alert# / General Event 2 SM Bus Alert: This signal is used to wake the system or generate an SMI. If not used for SMBALERT#, it can be used for thermal trip or as a GEVENT.

Note:

- (1) The SDA1 and SCL1 SMBus interface is dedicated for ASF devices only. It should not be used to connect to any other devices.
- (2) There are only two SMBus controllers. The SCL1/SDA1 pair is controlled by SMBus controller 1. SCL0/SDA0, SCL2/SDA2, SCL3/SDA3 and SCL4/SDA4 are multiplexed pins that are all controlled by SMBus controller 0, and only 1 pair of those pins can be active at any time.

4.14 Reset / Clocks / ATE / JTAG

Table 20. Reset/Clocks/ATE/JTAG Interface Pin Descriptions

Pin Name	Type	Voltage	Functional Description
A_RST#	O	VDDIO_33_S	PCI Host Bus Reset. Asserted during transition to S3/S4/S5 to reset all devices in the SB or connected to it, except the ACPI logic in the SB.
AZ_RST#	O	VDDIO_33_S/ S5_1.5V	HD Audio interface Reset
DDR3_RST#/ GEVENT7#	OD	VDDIO_33_S	System Memory Reset /General Event 7

Pin Name	Type	Voltage	Functional Description
FC_RST#/GPO160	OD	VDDIO_33_S	Flash Reset / General purpose output 160
GBE_PHY_RST#	O	VDDIO_33_S	Gigabit PHY Reset
LDT_RST#	OD	VDDIO_33_S (0.8V threshold)	LDT Reset#. Reset signal to the CPU. Assertion of LDT_RST# causes the CPU to transition into a low power state and to deassert MEMCLKEA/B and assert MEMREST_L. Assertion of LDT_RST# takes place sometime after SB PWRGOOD has been deasserted. Deassertion of LDT_RST# allows MEMRESET_L to be deasserted and MEMCLK to be enabled. Deassertion of LDT_RST# takes place sometime after SB PWR_GOOD has been asserted.
PCIE_RST#	O	VDDIO_33_S	PCIe [®] Reset. Asserted during transition to S3/S4/S5.
PCIRST#	O	3.3 V (5-V Tolerance)	Hardware Reset for PCI Slots Assertion: (a) at power on, (b) sometime after CPU_STP#'s assertion in S0, (c) after the system has transitioned into S4/S5. Deassertion: sometime after SB PWR_GOOD is asserted during power on or during a transition from S4/S5 to S0.
ROM_RST#/ GPIO161	I/O	VDDIO_33_S	ROM Reset / GPIO 161 ROM Reset : Early version of system reset, the deassertion of which is ahead of other system reset signals such as A_RST#, PCIE_RST#, or PCIRST#. Used for resetting the system BIOS flash ROM.
RSMRST#	I	VDDIO_33_S	Resume Reset from Motherboard – Assertion of RSMRST# resets all SB registers to their default values. It also causes all reset signals originating from the SB (A_RST#, PCIRST#, PCIE_RST#, LDT_RST#, AZ_RST#, FC_RST#, GBE_PHY_RST#, ROM_RST# and, DDR3_RST#) to be issued. RSRMT# should be asserted when system power is being applied first time. RSMRST# should be deasserted sometime after S5 power is up, and should stay deasserted until system power is removed.

Pin Name	Type	Voltage	Functional Description
SYS_RESET#/ GEVENT19#	I/O	VDDIO_33_S	System Reset / General Event 19 System Reset: Signal coming from the power button circuit signaling a reset for the system. On receiving the signal, the SB asserts all reset signals that originate from the SB (A_RST#, PCIRST#, PCIE_RST#, LDT_RST#, AZ_RST#, FC_RST#, GBE_PHY_RST#, ROM_RST#, and DDR3_RST#). it also resets all SB registers to their default values.
25M_X1	I	3.3V (VDDXL_33_S)	25 MHz crystal clock Clock source for SB internal core PLLs.
25M_X2	O	3.3V (VDDXL_33_S)	25 MHz crystal clock output
14M_25M_48M_OS C	O	VDDIO_33_S	14.318MHz / 25MHz / 48MHz OSC for KBC, SIO, LAN, etc.
PCICLK4/ 14M_OSC/GPO39	O	3.3V	33 MHz PCI Clock 4 / 14.318M Clock Output / GPO 39 For external system clock generator mode: 33MHz PCI clock output. For integrated system clock generator mode: 14.318MHz clock output for internal system clock generator mode. The function is selected by the pin strap "CLKGEN" (pin LPCCLK1). Refer to Table 28.
USBCLK/ 14M_25M_48M_OS C	I/O	VDDIO_33_S	14.318M or 25M or 48MHz output
CPU_HT_CLKP	O	1.1V (VDDAN_11_ CLK)	Positive phase of 200MHz reference clock. Spread capable.
CPU_HT_CLKN	O	1.1V (VDDAN_11_ CLK)	Negative phase of 200MHz reference clock. Spread capable.
GPP_CLK[8:0]P	O	1.1V (VDDAN_11_ CLK)	Positive phase of 100MHz reference clock for PCIe device(s). Spread capable.
GPP_CLK[8:0]N	O	1.1V (VDDAN_11_ CLK)	Negative phase of 100MHz reference clock for PCIe device(s). Spread capable.

Pin Name	Type	Voltage	Functional Description
PCIE_RCLKP/ NB_LNK_CLKP	I/O	1.1V (VDDAN_11_ CLK)	For external system clock generator mode: Positive phase of 100MHz reference clock for the SB. Spread capable. For integrated system clock generator mode: Positive phase of NB ALINK III reference clock. Spread capable. The function is selected by the pin strap "CLKGEN" (pin LPCCLK1). Refer to Table 28
PCIE_RCLKN/ NB_LNK_CLKN	I/O	1.1V (VDDAN_11_ CLK)	For external system clock generator mode: Negative phase of 100MHz reference clock for the SB. Spread capable. For integrated system clock generator mode: Negative phase of NB ALINK III reference clock. Spread capable. The function is selected by the pin strap "CLKGEN" (pin LPCCLK1). Refer to Table 28
NB_DISP_CLKP	O	1.1V (VDDAN_11_ CLK)	Positive phase of 100MHz reference clock for NB's Display Engine. Non-spread.
NB_DISP_CLKN	O	1.1V (VDDAN_11_ CLK)	Negative phase of 100MHz reference clock for NB's Display Engine. Non-spread.
NB_HT_CLKP	O	1.1V (VDDAN_11_ CLK)	Positive phase of 100MHz reference clock. Spread capable.
NB_HT_CLKN	O	1.1V (VDDAN_11_ CLK)	Negative phase of 100MHz reference clock. Spread capable.
SLT_GFX_CLKP	O	1.1V (VDDAN_11_ CLK)	Positive phase of 100MHz reference clock for discrete graphics device. Spread capable.
SLT_GFX_CLKN	O	1.1V (VDDAN_11_ CLK)	Negative phase of 100MHz reference clock for discrete graphics device. Spread capable.
CLK_REQ0#/ SATA_IS3#/ GPIO60	I/O	3.3V (5-V tolerance)	Clock Request 0 / SATA Interlock Switch Port 3 (input) / GPIO 60
CLK_REQ1#/ FANOUT4/ GPIO61	I/O	3.3V (5-V tolerance)	Clock Request 1 / Fan Output 4 / GPIO 61

Pin Name	Type	Voltage	Functional Description
CLK_REQ2#/ FANIN4/GPIO62	I/O	3.3V (5-V tolerance)	Clock Request 2 / Fan Input 4 / GPIO 62
CLK_REQ3#/ SATA_IS1#/ GPIO63	I/O	3.3V (5-V tolerance)	Clock Request 3 / SATA Interlock Switch Port 1 (input) / GPIO 63
CLK_REQ4#/ SATA_IS0#/ GPIO64	I/O	3.3V (5-V tolerance)	Clock Request 4 / SATA Interlock Switch Port 0 (input) / GPIO 64
REQ3#/CLK_REQ5 #/GPIO42	I	3.3V (5-V tolerance)	PCI Request 3 / Clock Request 5 / GPIO 42
LDRQ1#/CLK_RE Q6#/GPIO49	I/O	3.3V (5-V tolerance)	Encoded DMA Bus Master Request 1/Clock Request 6 / GPIO 49
GNT3#/ CLK_REQ7#/ GPIO46	I/O	3.3V (5-V tolerance)	PCI Grant 3 / Clock Request 7 / GPIO 46
REQ2#/ CLK_REQ8#/ GPIO41	I	3.3V (5-V tolerance)	PCI Request 2 / Clock Request 8 / GPIO 41
CLK_REQG#/ GPIO65/OSCIN/ IDLEEXIT#	I	3.3V (5-V tolerance)	PCI Express® Graphic Slot Clock Request / GPIO 65 / 14.318MHz OSC Input / IDLEEXIT# 14.318MHz OSC clock input pin. For debug purpose only.
TEST0	I	VDDIO_33_S	ATE Test 0
TEST1/TMS	I	VDDIO_33_S	ATE Test 1/ JTAG TMS
TEST2	I	VDDIO_33_S	ATE Test 2
EFUSE	I	VDDIO_33_S	Efuse. Pull to GND on motherboard.
USB_OC0#/TRST#/ GEVENT12#	I/O	VDDIO_33_S	USB Over Current 0# / JTAG Reset/ GEVENT 12
USB_OC1#/TDI/ GEVENT13#	I/O	VDDIO_33_S	USB Over Current 1# / JTAG Data In/ GEVENT 13
USB_OC2#/TCK/ GEVENT14#	I/O	VDDIO_33_S	USB Over Current 2# / JTAG Clock/ GEVENT 14
USB_OC3#/ AC_PRES/TDO/ GEVENT15#	I/O	VDDIO_33_S	USB Over Current 3# / AC Power Present/JTAG Data Out/ GEVENT 15

4.15 General Purpose I/O and General Event

The GPIO and GEVENT pins of the SB are multiplexed with other functions. For information on how to configure the GPIO pins for the desired functions, see the *AMD SB800-Series Southbridges Register Reference Guide (PID# 45482)*.

Table 21 lists all the GPIO and GEVENT pins on the SB. The Default I/O State column shows the direction and the state of the pin after the core power has become stable ($VDDCR > \sim 0.8V$). The integrated resistor column shows the default status of the internal integrated pull-up/pull-down resistor on the pin after the PCI host bus reset ($A_RST\#$) is deasserted. The integrated resistor can be enabled/disabled by system BIOS after boot up.

Notes:

1. Certain GPIOs are multiplexed with pins on the flash controller, keyboard and PS/2 controller, or Gigabit Ethernet Media Access Controller (GbE MAC) interfaces. The flash controller, keyboard and PS/2 controller, and GbE MAC functions are NOT supported by the SB, and pin name prefixes like “FC,” “GbE,” or “PS2” do not imply availability of those functions.
2. The voltage monitor function is NOT supported by the SB. The “VIN” prefix of certain GPIOs does not imply availability of the VIN function.
3. GPIO[35:0] can only be used if the PCI interface is not used and is disabled by programming the PM register EAh bit 0 to 1.

Table 21. General Purpose I/O and General Event Pin Descriptions

System Pin Name	Type	Level	Default Muxed Function	Default I/O State	Integrated Resistor	Functional Descriptions
General Events						
GA20IN/GEVENT0#	I	3.3V (5-V tolerance)	null	Input, PU	8.2K PU	A20Gate input from SIO / General Event 0
KBRST#/ GEVENT1#	I	3.3V (5-V tolerance)	KBRST#	Input, PU	8.2K PU	Keyboard Reset / General Event 1 Note: On G3 to S5 transition, the BIOS will not be able to program this pin as Gevent1#. If the pin is used as Gevent1#, the design should ensure that the pin remains in logical high during the G3 → S5 → S0 transition. BIOS can then program this pin as Gevent1# when it is posting.

System Pin Name	Type	Level	Default Muxed Function	Default I/O State	Integrated Resistor	Functional Descriptions
THRMTRIP#/ SMBALERT#/ GEVENT2#	I/O	VDDIO_33_S	THRM TRIP#	Input, PU	10K PU	Thermal Trip# / SM Bus Alert# / General Event 2
LPC_PME#/ GEVENT3#	I/O	VDDIO_33_S	null	Input, PU	10K PU	LPC PME# Input / General Event 3
PCI_PME#/ GEVENT4#	I/O	VDDIO_33_S	null	Input, PU	10K PU	PCI PME# Input / General Event 4
GEVENT5#	I/O	VDDIO_33_S	null	Input, PU	10K PU	General Event 5
USB_OC6#/IR_TX1/ GEVENT6#	I/O	VDDIO_33_S	null	Input, PU	10K PU*	USB Over Current 6 / Infrared Transmit 1 / General Event 6 *Note: Integrated PU is not supported when the pin is configured for USB over current function.
DDR3_RST#/ GEVENT7#	I/O	VDDIO_33_S	DDR3_RST#	Output LOW	10K PU for GEVENT # (OD for DDR3_RST#)	DDR3 Reset# / General Event 7
WAKE#/GEVENT8#	I/O	VDDIO_33_S	null	Input, PU	10K PU	PCI Express® Wake / General Event 8
GBE_LED1/ GEVENT9#	I/O	VDDIO_33_S	null	Input, PU	10K PU	GbE LED 1 / General Event 9
GBE_LED2/ GEVENT10#	I/O	VDDIO_33_S	null	Input, PU	10K PU	GbE LED 2 / General Event 10
GBE_STAT0/ GEVENT11#	I/O	VDDIO_33_S	null	Input, PU	10K PU	GbE Status 0 / General Event 11
USB_OC0#/TRST#/ GEVENT12#	I/O	VDDIO_33_S	null	Input, PU	10K PU*	USB Over Current 0 / JTAG Reset# / General Event 12 *Note: Integrated PU is not supported when the pin is configured for USB over current function.

System Pin Name	Type	Level	Default Muxed Function	Default I/O State	Integrated Resistor	Functional Descriptions
USB_OC1#/TDI/ GEVENT13#	I/O	VDDIO_33_S	null	Input, PU	10K PU*	USB Over Current 1 / JTAG Test Data In / General Event 13 *Note: Integrated PU is not supported when the pin is configured for USB over current function.
USB_OC2#/TCK/ GEVENT14#	I/O	VDDIO_33_S	null	Input, PU	10K PU*	USB Over Current 2 / JTAG Test Clock / General Event 14 *Note: Integrated PU is not supported when the pin is configured for USB over current function.
USB_OC3#/AC_PRES/TDO/ GEVENT15#	I/O	VDDIO_33_S	null	Input, PU	10K PU*	USB Over Current 3 / AC Present / Test Data Out / General Event 15 *Note: Integrated PU is not supported when the pin is configured for USB over current function.
USB_OC4#/IR_RX0/ GEVENT16#	I/O	VDDIO_33_S	null	Input, PU	10K PU*	USB Over Current 4 / Infrared Receive 0 / General Event 16 *Note: Integrated PU is not supported when the pin is configured for USB over current function.
USB_OC5#/IR_TX0/ GEVENT17#	I/O	VDDIO_33_S	null	Input, PU	10K PU*	USB Over Current 5 / Infrared Transmit 0 / General Event 17 *Note: Integrated PU is not supported when the pin is configured for USB over current function.

System Pin Name	Type	Level	Default Muxed Function	Default I/O State	Integrated Resistor	Functional Descriptions
BLINK/USB_OC7#/GEVENT18#	I/O	VDDIO_33_S	null	Input, PU	10K PU*	LED Blink** / USB Over Current 7 / General Event 18 Notes: * Integrated PU is not supported when the pin is configured for USB over current function. ** LED Blink function is not supported.
SYS_RESET#/GEVENT19#	I/O	VDDIO_33_S	null	Input, PU	10K PU	System Reset Button / General Event 19
IR_RX1#/GEVENT20#	I/O	VDDIO_33_S	null	Input, PU	10K PU	Infrared Receive 1 / General Event 20
SPI_CS3#/GBE_STAT1#/GEVENT21#	I/O	VDDIO_33_S	null	Input, PU	10K PU	3rd SPI Chip Select# / GbE Status 1 / General Event 21
RI#/GEVENT22#	I/O	VDDIO_33_S	null	Input, PU	10K PU	Ring Indicator / General Event 22
LPC_SMI#/GEVENT23#	I/O	VDDIO_33_S	null	Input, PU	8.2K PU	LPC SMI Input / General Event 23
S0-domain General Purpose I/O						
AD[31:0]/GPIO[31:0]	I/O	3.3V (5-V tolerance)	PCI	Output HIGH	-	PCI Address/Data bit [31:00] / GPIO [31:0]
INTE#/GPIO32	I/O	3.3V (5-V tolerance)	PCI	Input, PU	8.2K PU	PCI interrupt E / GPIO 32
INTF#/GPIO33	I/O	3.3V (5-V tolerance)	PCI	Input, PU	8.2K PU	PCI interrupt F / GPIO 33
INTG#/GPIO34	I/O	3.3V (5-V tolerance)	PCI	Input, PU	8.2K PU	PCI interrupt G / GPIO 34
INTH#/GPIO35	I/O	3.3V (5-V tolerance)	PCI	Input, PU	8.2K PU	PCI interrupt H / GPIO 35

System Pin Name	Type	Level	Default Muxed Function	Default I/O State	Integrated Resistor	Functional Descriptions
PCICLK1/GPO36	O	3.3V (5-V tolerance)	PCICLK	Output 33MHz	-	33 MHz PCI Clock 1 / GPO 36
PCICLK2/GPO37	O	3.3V (5-V tolerance)	PCICLK	Output 33MHz	-	33 MHz PCI Clock 2 / GPO 37
PCICLK3/GPO38	O	3.3V (5-V tolerance)	PCICLK	Output 33MHz	-	33 MHz PCI Clock 3 / GPO 38
PCICLK4/14M_OSC /GPO39	O	3.3V (5-V tolerance)	PCICLK	Output 14MHz (internal CLKGEN) or 33MHz (external CLKGEN)	-	33 MHz PCI Clock 4 / 14M Clock Output / GPO 39
REQ1#/GPIO40	I	3.3V (5-V tolerance)	PCI	Input, PU	15K PU	PCI Request 1 Input / GPIO 40
REQ2#/CLK_REQ8# /GPIO41	I	3.3V (5-V tolerance)	PCI	Input, PU	15K PU	PCI Request 2 Input / CLKGEN CLK Req# 8 / GPIO 41
REQ3#/CLK_REQ5# /GPIO42	I	3.3V (5-V tolerance)	PCI	Input, PU	15K PU	PCI Request 3 Input PC/PCIDMA Request #0 / GPIO 42
SCL0/GPIO43	I/O	3.3V (5-V tolerance)	null	Input, Tri-State	-	SMBus Clk 0 / GPIO 43
GNT1#/GPO44	O	3.3V (5-V tolerance)	PCI	Output HIGH	-	PCI Grant 1 from SB / GPO 44
GNT2#/GPO45	O	3.3V (5-V tolerance)	PCI	Output HIGH	-	PCI Grant 2 from SB / GPO 45
GNT3#/CLK_REQ7# /GPIO46	I/O	3.3V (5-V tolerance)	null	Input, PU	8.2K PU	PCI Grant 3 from SB / CLKGEN CLK Req# 7 / GPIO 46

System Pin Name	Type	Level	Default Muxed Function	Default I/O State	Integrated Resistor	Functional Descriptions
SDA0/GPIO47	I/O	3.3V (5-V tolerance)	null	Input, Tri-State	-	SMBus Data 0 / GPIO 47
SERIRQ/GPIO48	I/O	3.3V (5-V tolerance)	null	Input, PU	8.2K PU	Serial IRQ for DDMA / GPIO 48
LDRQ1#/ CLK_REQ6#/ GPIO49	I	3.3V (5-V tolerance)	null	Input, PU	8.2K PU	Encoded DMA/Bus Master Request 1 / CLKGEN CLK Req# 6 / GPIO 49
SMARTVOLT1/ SATA_IS2#/ GPIO50	I/O	3.3V (5-V tolerance)	null	Input, PU	8.2K PU	Set system rails to lower voltage / SATA interlock detect / GPIO 50
SMARTVOLT2/ SHUTDOWN#/ GPIO51	I/O	3.3V (5-V tolerance)	null	Input, PU	8.2K PU	Set system rails to lower voltage / System shutdown / GPIO 51
FANOUT0/GPIO52	I/O	3.3V (5-V tolerance)	null	Input, PU	8.2K PU	Fan PWM Output 0 / GPIO 52
FANOUT1/GPIO53	I/O	3.3V	null	Input, PU	8.2K PU	Fan PWM Output 1 / GPIO 53
FANOUT2/GPIO54	I/O	3.3V	null	Input, PU	8.2K PU	Fan PWM Output 2 / GPIO 54
SATA_IS4#/ FANOUT3/GPIO55	I/O	3.3V (5-V tolerance)	null	Input, PU	8.2K PU	SATA Interlock Switch 4 (input) / Fan Output 3 / GPIO 55
FANIN[2:0]/ GPIO[58:56]	I/O	3.3V	null	Input, PU	8.2K PU	Fan Tach Input 0 / GPIO 56
SATA_IS5#/ FANIN3/GPIO59	I/O	3.3V (5-V tolerance)	null	Input, PU	8.2K PU	SATA Interlock Switch 5 (input) / Fan Input 3 / GPIO 59
CLK_REQ0#/ SATA_IS3#/ GPIO60	I/O	3.3V (5-V tolerance)	null	Input, PU	8.2K PU	Clock Request# 0 / SATA Interlock Switch 3 (input) / GPIO60
CLK_REQ1#/ FANOUT4/GPIO61	I/O	3.3V (5-V tolerance)	null	Input, PU	8.2K PU	CLKGEN CLK Req# 1 / Fan Output 4 / GPIO 61

System Pin Name	Type	Level	Default Muxed Function	Default I/O State	Integrated Resistor	Functional Descriptions
CLK_REQ2#/ FANIN4/GPIO62	I/O	3.3V (5-V tolerance)	null	Input, PU	8.2K PU	CLKGEN CLK Req# 2 / Fan Input 4 / GPIO 62
CLK_REQ3#/ SATA_IS1#/GPIO63	I/O	3.3V (5-V tolerance)	null	Input, PU	8.2K PU	Clock Request 3 / SATA Interlock Switch 1 (input) / GPIO 63
CLK_REQ4#/ SATA_IS0#/GPIO64	I/O	3.3V (5-V tolerance)	null	Input, PU	8.2K PU	CLKGEN CLK Req# 4 / SATA Interlock Switch 0 (input) / GPIO 64
CLK_REQG#/ GPIO65/OSCIN/ IDLEEXIT#	I	3.3V (5-V tolerance)	null	Input, PU	8.2K PU	PCI Express Graphic Slot CLKREQ# / GPIO 65 / 14.318MHz Clock Input / IDLEEXIT#
SPKR/GPIO66	I/O	3.3V (5-V tolerance)	null	Input, Tri-State	-	Speaker / GPIO 66
SATA_ACT#/ GPIO67	OD	3.3V	null	Input, Tri-State	-	Serial ATA Activity Indicator / GPIO 67
S5-domain General Purpose I/O						
FC_RST#/GPO160	I/O	VDDIO_ 33_S (5V tolerance)	FC_RST#	Output LOW	-	Flash memory reset / GPO 160
ROM_RST#/ GPIO161	I/O	VDDIO_ 33_S	ROM_RS T#	Output LOW	-	ROM Reset / GPIO 161
SPI_CLK/GPIO162	I/O	VDDIO_ 33_S	null or SPI (strap depend- ent)	Input, PD	10K PD	SPI Clock / GPIO 162
SPI_DO/GPIO163	I/O	VDDIO_ 33_S	null or SPI (strap depend- ent)	Input, PD	10K PD	SPI Data Out / GPIO 163

System Pin Name	Type	Level	Default Muxed Function	Default I/O State	Integrated Resistor	Functional Descriptions
SPI_DI/GPIO164	I/O	VDDIO_33_S	null or SPI (strap dependent)	Input, PD	10K PD	SPI Data In / GPIO 164
SPI_CS1#/GPIO165	I/O	VDDIO_33_S	null or SPI (strap dependent)	Input, PU	10K PU	SPI Chip Select# / GPIO 165
SPI_CS2#/ GBE_STAT2/ GPIO166	I/O	VDDIO_33_S	null or SPI (strap dependent)	Input, PU	10K PU	2nd SPI Chip Select# / GbE Status 2 / GPIO 166
AZ_SDIN[3:0]/ GPIO[170:167]	I/O	VDDIO_33_S/ S5_1.5V	AZ	Input, PD	50K PD	HD Audio Serial Data Channel [3:0] In from Codec / GPIO [17:167]
TEMPIN[2:0]/GPIO[173:171]	I/O	VDDIO_33_S	null	Input	-	Temperature Monitor Input [2:0] / GPIO [173:171]
TEMPIN3/TALERT#/ GPIO174	I/O	VDDIO_33_S	null	Input	-	Temperature Monitor Input 3 / Temperature has reached cautionary state / GPIO 174
VIN0/GPIO175	I/O	VDDIO_33_S	null	Input	-	Voltage Monitor Input 0 / GPIO 175
VIN1/GPIO176	I/O	VDDIO_33_S	null	Input	-	Voltage Monitor Input 1 / GPIO 176
VIN2/GPIO177	I/O	VDDIO_33_S	null	Input	-	Voltage Monitor Input 2 / GPIO 177
VIN3/GPIO178	I/O	VDDIO_33_S	null	Input	-	Voltage Monitor Input 3 / GPIO 178
VIN4/GPIO179	I/O	VDDIO_33_S	null	Input	-	Voltage Monitor Input 4 / GPIO 179
VIN5/GPIO180	I/O	VDDIO_33_S	null	Input	10K PU/PD	Voltage Monitor Input 5 / GPIO 180
VIN6/GBE_STAT3/ GPIO181	I/O	VDDIO_33_S	null	Input	10K PU/PD	Voltage Monitor Input 6 / GbE Status 3 / GPIO 181

System Pin Name	Type	Level	Default Muxed Function	Default I/O State	Integrated Resistor	Functional Descriptions
VIN7/GBE_LED3/ GPIO182	I/O	VDDIO_33_S	null	Input	-	Voltage Monitor Input 7 / GbE LED 3 / GPIO 182
GBE_LED0/ GPIO183	I/O	VDDIO_33_S	null	Input	10K PU	SPI HOLD# / GbE LED 0 / GPIO 183
IR_LED#/LLB#/ GPIO184	I/O	VDDIO_33_S	null	Input, PU	10K PU	Infrared LED / Low Low Battery / GPIO 184
USB_FSD0P/ GPIO185	I/O	VDDIO_33_S	USB	Input, PD	15K PD	USB 1.1 Port 0 Positive I/O / GPIO 185
USB_FSD1P/ GPIO186	I/O	VDDIO_33_S	USB	Input, PD	15K PD	USB 1.1 Port 1 Positive I/O / GPIO 186
PS2_DAT/SDA4/ GPIO187	I/O	VDDIO_33_S (5-V tolerance)	null	Input, PU	10K PU	Aux PS2 Data / GPIO 187
PS2_CLK/SCL4/ GPIO188	I/O	VDDIO_33_S (5-V tolerance)	null	Input, PU	10K PU	Aux PS2 Clock / GPIO 188
PS2KB_DAT/ GPIO189	I/O	VDDIO_33_S (5-V tolerance)	null	Input, PU	10K PU	PS2 Keyboard Data / GPIO 189
PS2KB_CLK/ GPIO190	I/O	VDDIO_33_S (5-V tolerance)	null	Input, PU	10K PU	PS2 Keyboard Clock / GPIO 190
PS2M_DAT/ GPIO191	I/O	VDDIO_33_S (5-V tolerance)	null	Input, PU	10K PU	PS2 Mouse Data / GPIO 191
PS2M_CLK/ GPIO192	I/O	VDDIO_33_S (5V tolerance)	null	Input, PU	10K PU	PS2 Mouse Clock / GPIO 192

System Pin Name	Type	Level	Default Muxed Function	Default I/O State	Integrated Resistor	Functional Descriptions
SCL2/GPIO193	I/O	VDDIO_33_S (5-V tolerance)	null	Input, Tri-State	-	SMBus Clk 2 / GPIO 193
SDA2/GPIO194	I/O	VDDIO_33_S (5-V tolerance)	null	Input, Tri-State	-	SMBus Data 2 / GPIO 194
SCL3_LV/GPIO195	I/O	0.8V threshold, VDDIO_33_S domain	null	Input, Tri-State	-	SMBus Clock 3 for CPU TSI / GPIO 195
SDA3_LV/GPIO196	I/O	0.8V threshold, VDDIO_33_S domain	null	Input, Tri-State	-	SMBus Data 3 for CPU TSI / GPIO 196
EC_PWM0/ EC_TIMER0/ GPIO197	I/O	VDDIO_33_S	null	Input, PU	10K PU	EC PWM 0 / EC Timer 0 / GPIO 197
EC_PWM1/ EC_TIMER1/ GPIO198	I/O	VDDIO_33_S	null	Input, PU	10K PU	EC PWM 1 / EC Timer 1 / GPIO 198
EC_PWM2/ EC_TIMER2/ GPIO199	I/O	VDDIO_33_S (5V tolerance)	null	Input, PU	10K PU	EC PWM 2 / EC Timer 2 / GPIO 199
EC_PWM3/ EC_TIMER3/ GPIO200	I/O	VDDIO_33_S (5-V tolerance)	null	Input, PU	10K PU	EC PWM 3 / EC Timer 3 / GPIO 200
KSI_[7:0]/ GPIO[208:201]	I/O	VDDIO_33_S	null	Input, PU	10K PU	Scan Matrix KDB Input [7:0] / GPIO [208:201]
KSO_[17:0]/ GPIO[226:209]	I/O	VDDIO_33_S	null	Input, PU	10K PU	Scan Matrix KDB Output [17:0] / GPIO [226:209]

System Pin Name	Type	Level	Default Muxed Function	Default I/O State	Integrated Resistor	Functional Descriptions
SCL1/GPIO227	I/O	VDDIO_33_S (5-V tolerance)	null	Input, Tri-State	-	SMBus Clk 1 / GPIO 227
SDA1/GPIO228	I/O	VDDIO_33_S (5-V tolerance)	null	Input, Tri-State	-	SMBus Data 1 / GPIO228
General Purpose I/OD (Muxed on Flash Interface)						
FC_ADQ[15:0]/GPIOD[143:128]	I/O	1.8V (3.3-V tolerance)	FC	Tri-State, PD	10K PD	Flash ADQ bit [15:00] / GPIOD [143:128]
FC_INT1/GPIOD144	I/O	1.8V (3.3-V tolerance)	FC	Input, PD	10K PD	Flash Interrupt 1 / GPIOD 144
FC_OE#/GPIOD145	I/O	1.8V (3.3-V tolerance)	FC	Output, Tri-State	-	Flash Output Enable# / GPIOD 145
FC_AVD#/GPIOD146	I/O	1.8V (3.3-V tolerance)	FC	Output, Tri-State	-	Flash AVD# / GPIOD 146
FC_INT2/GPIOD147	I/O	1.8V (3.3-V tolerance)	FC	Input, PD	10K PD	Flash Interrupt 2 / GPIOD 147
FC_WE#/GPIOD148	I/O	1.8V (3.3-V tolerance)	FC	Output, Tri-State	-	Flash Write Enable# / GPIOD 48
FC_CE1#/GPIOD149	I/O	1.8V (3.3-V tolerance)	FC	Output, Tri-State	-	Flash Chip Enable 1# / GPIOD 149
FC_CE2#/GPIOD150	I/O	1.8V (3.3-V tolerance)	FC	Output, Tri-State	-	Flash Chip Enable 2# / GPIOD 150

4.16 Keyboard and PS/2 Controller

Note: The keyboard and PS/2 controller functions are **NOT** supported by the SB820M. Keyboard and PS/2 controller pins listed below can only be used for their alternate functions.

Table 22. Keyboard and PS/2 Controller Interface Pin Descriptions

Pin Name	Type	Voltage	Functional Description
PS2_DAT/SDA4/ GPIO187	I/O	VDDIO_33_S	Aux PS2 Data / Embedded Controller (EC) GPIO 0
PS2_CLK/SCL4/ GPIO188	I/O	VDDIO_33_S	Aux PS2 Clock / EC GPIO 1
PS2KB_DAT/ GPIO189	I/O	VDDIO_33_S	PS2 Keyboard Data / EC GPIO 4
PS2KB_CLK/ GPIO190	I/O	VDDIO_33_S	PS2 Keyboard Clock / EC GPIO 5
PS2M_DAT/ GPIO191	I/O	VDDIO_33_S	PS2 Mouse Data / EC GPIO 6
PS2M_CLK/ GPIO191	I/O	VDDIO_33_S	PS2 Mouse Clock / EC GPIO 7
EC_PWM0/ EC_TIMER0/ GPIO197	I/O	VDDIO_33_S	EC PWM 0 / EC Timer 0 / GPIO 197
EC_PWM1/ EC_TIMER1/ GPIO198	I/O	VDDIO_33_S	EC PWM 1 / EC Timer 1 / GPIO 198
EC_PWM2/ EC_TIMER2/ GPIO199	I/O	VDDIO_33_S	EC PWM 2 / EC Timer 2 / GPIO 199
EC_PWM3/ EC_TIMER3/ GPIO200	I/O	VDDIO_33_S	EC PWM 3 / EC Timer 3 / GPIO 200
KSI_[7 :0]/ GPIO[208 :201]	I/O	VDDIO_33_S	Scan Matrix KDB Input [7 :0] / GPIO [208 : 201]
KSO_[17 :0]/ GPIO[226 :209]	I/O	VDDIO_33_S	Scan Matrix KDB Output [17 :0] / GPIO [226 : 209]

4.17 Gigabit Ethernet Media Access Controller (GbE MAC)

Note: The GbE Mac function is **NOT** supported by the SB820M. The alternative functionality of these pins, such as GPIO, will still be supported. The pins on the GbE Mac interface should be connected as described in the *AMD SB800-Series Southbridges Schematic Review Checklist*.

Table 23. RGMII/MII Pin Descriptions

Pin Name	Type	Voltage	Functional Description
GBE_COL	I	VDDIO_33_S	MII Collision
GBE_CRS	I	VDDIO_33_S	MII Carrier Sense
GBE_MDCK	O	VDDIO_33_S	PHY Serial Management Interface Clock
GBE_MDIO	I/O	VDDIO_33_S	PHY Serial Management Interface Data
GBE_RXCLK	I	GBE_VDDIO	RGMII or MII Receive Clock
GBE_RXD[3:0]	I	GBE_VDDIO	RGMII or MII Receive Data
GBE_RXCTL/ RXDV	I	GBE_VDDIO	RGMII Receive Control or MII Receive Data Valid
GBE_RXERR	I	VDDIO_33_S	MII Receive Error
GBE_TXCLK	I/O	GBE_VDDIO	RGMII or MII Transmit Clock (RGMII = Output, MII = Input)
GBE_TXD[3:0]	O	GBE_VDDIO	RGMII or MII Transmit Data
GBE_TXCTL/TXEN	O	GBE_VDDIO	RGMII Transmit Control or MII Transmit Enable

Table 24. Gigabit Ethernet PHY Pin Descriptions

Pin Name	Type	Voltage	Functional Description
GBE_PHY_PD	O	VDDIO_33_S	PHY Power Down
GBE_PHY_RST#	O	VDDIO_33_S	PHY Reset
GBE_PHY_INTR	I	VDDIO_33_S	PHY Interrupt
GBE_LED0/ GPIO183	O	VDDIO_33_S	LAN LED0 Control / GPIO 183
GBE_LED1/ GEVENT9#	O	VDDIO_33_S	LAN LED1 Control / General Event 9
GBE_LED2/ GEVENT10#	O	VDDIO_33_S	LAN LED2 Control / General Event 10
VIN7/GBE_LED3/ GPIO182	O	VDDIO_33_S	Voltage Monitor Input 7/ LAN LED3 Control/ GPIO 182
GBE_STAT0/ GEVENT11#	I	VDDIO_33_S	PHY status0/ General Event 11
SPI_CS3#/ GBE_STAT1/ GEVENT21#	I	VDDIO_33_S	SPI chip select2#/ PHY status2/ GPIO 166
SPI_CS2#/ GBE_STAT2/ GPIO166	I	VDDIO_33_S	SPI chip select3# / PHY status1/GEVENT 21

Pin Name	Type	Voltage	Functional Description
VIN6/GBE_STAT3/ GPIO181	I	VDDIO_33_S	Voltage Monitor Input 6 / PHY status 3/GPIO 181

4.18 Infrared Interface

Table 25. Infrared Interface Pin Descriptions

Pin Name	Type	Voltage	Functional Description
USB_OC4#/ IR_RX0/ GEVENT16#	I/O	VDDIO_33_S	USB Over Current 4# / Infrared Receive 0 / GEVENT16# Infrared Receive 0. Connection to wideband Consumer Infrared (CIR) receiver.
IR_RX1/ GEVENT20#	I/O	VDDIO_33_S	Infrared Receive 1 / General Event 20 Infrared Receive 1. Connection to long-range CIR receiver.
USB_OC5#/ IR_TX0/ GEVENT17#	I/O	VDDIO_33_S	USB Over Current 5# / Infrared Transmit 0 / GEVENT17#
USB_OC6#/ IR_TX1/ GEVENT6#	I/O	VDDIO_33_S	USB Over Current 6# / Infrared Transmit 1 / GEVENT6#
IR_LED#/LLB#/ GPIO184	I/O	VDDIO_33_S	Infrared LED / Low Low Battery / GPIO 184
The following are the possible configurations for CIR			
No CIR:		CIR not used	
CIR RX with TX0:		One RX pin used with TX0	
CIR RX with TX1:		One RX pin used with TX1	
CIR RX with TX0 and TX1:		One RX pin used with TX0 and TX1	
RX can be RX0 or RX1 except when using wideband CIR, in which case both RX pins need to be used.			

4.19 Power and Ground

See Table 52 for the states of the power rails during each ACPI state.

Table 26. Power and Ground Pin Descriptions

Signal Name	Voltage /GND	GND reference	Note	Description
VDDCR_11_[9:1]	1.1V	VSS	-	Core power
VDDIO_33_PCIGP [12:1]	3.3V	VSS	-	IO power
VDDIO_18_FC_[4:1]	1.8V	VSS	-	Flash Controller 1.8V IO power. Note: Flash controller function is not supported by the SB820M.
VDDIO_AZ_S	1.5V/ 3.3V	VSS	-	HD Audio Interface IO power
VDDIO_GBE_S[2:1]	-	-	-	Connect to ground
VDDIO_33_GBE_S	-	-	-	Connect to ground
VDDRF_GBE_S	-	-	-	Connect to ground
VDDCR_11_GBE_S [2:1]	-	-	-	Connect to ground
VDDCR_11_S_[2:1]	1.1V	VSS	-	S5 core power
VDDIO_33_S_[8:1]	3.3V	VSS	-	S5 IO power
VDDXL_33_S	3.3V	VSSXL	1	25MHz XTAL IO power
VDDPL_33_SYS	3.3V	VSSPLL_ SYS	2	System Clock Generator PLLs analog power
VDDPL_11_SYS_S	1.1V	VSSPL_ S YS	2	System Clock Generator PLLs analog power
VDDAN_11_CLK_ [8:1]	1.1V	VSSIO_P CIECLK	2	System Clock Generator analog/output power
VDDPL_33_PCIE	3.3V	VSSIO_P CIECLK	2	A-Link Express II /PCI Express® PLL power
VDDAN_11_PCIE_ [8:1]	1.1V	VSSIO_P CIECLK	2	A-Link Express II / PCI Express analog power
VDDPL_33_SATA	3.3V	VSSIO_S ATA	2	SATA PHY PLL power
VDDAN_11_SATA_ [7:1]	1.1V	VSSIO_S ATA	2	SATA PHY analog/IO power
VDDBT_RTC_G	2.5 - 3.6V BAT	VSS	-	RTC/CMOS backup power

Signal Name	Voltage /GND	GND reference	Note	Description
VDDPL_33_USB_S	3.3V	VSSIO_U SB	2, 3, 5	USB PHY PLL analog power
VDDAN_33_USB_S_ [12:1]	3.3V	VSSIO_U SB	2, 3, 5	USB PHY analog/IO power
VDDAN_11_USB_S_ [2:1]	1.1V	VSSIO_U SB	2, 3, 6	USB PHY DLL analog power
VDDCR_11_USB_S_ [2:1]	1.1V	VSSIO_U SB	3, 6	USB PHY core power
VDDAN_33_HWM_S	3.3V	VSSAN_ HWM	-	Hardware Monitor Interface analog/IO power
VSS_[52:1]	GND	-	-	Digital ground (plane)
VSSXL	GND			25MHz XTAL ground
VSSPL_SYS	GND	-	-	System Clock Generator PLLs common ground
VSSIO_PCIECLK_ [27:1]	A-GND	-	-	A-Link Express II / PCI Express/ System Clock Generator analog ground (plane)
VSSIO_SATA_[19:1]	A-GND	-	-	SATA analog ground (plane)
VSSIO_USB_[28:1]	A-GND	-	-	USB PHY analog ground (plane)

Note 1: These power rails can be tied to S0-S5 or S0-S3 (So-S2 in case of VDDXL_33) depending on whether WakeOnLan is supported.

Note 2: These power rails should be filtered.

Note 3: These power rails can be tied to S0-S5 or S0-S3 power depending on whether wake from S4/S5 is supported or not.

Note 5: VDDPL_33_USB_S and VDDAN_33_USB_S_[12:1] should be sourced from the same voltage regulator and have traces routed close together to minimize voltage droop difference.

Note 6: VDDAN_11_USB_S_[2:1] and VDDCR_11_USB_S_[2:1] should be sourced from the same voltage regulator and have traces routed close together to minimize voltage drop difference.

4.20 Integrated Resistors

Table 27 lists pins that have integrated resistors on their pads. The table does NOT include information for any GPIO or GEVENT pins, for which one should refer to Table 21 in Section 4.15, "General Purpose I/O and General Event." In general, the integrated resistors are enabled by default, but can be disabled by programming.

Table 27. Integrated Resistors

Interface	Pin	Resistor Type
LPC	LAD[3:0]	15-K pull-up
	LDRQ0#	15-K pull-up
	CLKRUN#	8.2-K pull-up
	DEVSEL#	8.2-K pull-up
	FRAME#	8.2-K pull-up
	GNT3#	8.2-K pull-up
	IRDY#	8.2-K pull-up
	LOCK#	8.2-K pull-up
	PERR#	8.2-K pull-up
	REQ0#	15-K pull-up
	SERR#	8.2-K pull-up
	STOP#	8.2-K pull-up
	TRDY#	8.2-K pull-up
RTC	RTCCLK	10-K pull-up
	INTRUDER_ALERT#	50-K pull-up
Power Management	PWR_BTN#	10-K pull-up
	PWR_GOOD	10-K pull-up
Reset	RSMRST#	10-K pull-up (cannot be disabled)
ATE/JTAG	TEST0	10-K pull-down
	TEST1/TMS	10-K pull-down
	TEST2	10-K pull-down

4.21 Strap Information

Two types of straps are captured on the rising edge of RSMRST# and PWR_GOOD—Type I and Type II. Type I straps become valid immediately after capture on the rising edge of RSMRST#. Modules in the S5 power well use this type of straps, which are captured only once when power is first applied to the chip. All other straps (type II) become valid after PWR_GOOD is asserted in order to prevent the strap logic that resides in the standby power well from being driven by un-powered logic. Type II straps are captured every time the system powers up from the S5 state. A transition from S3 to S0 does not trigger capture.

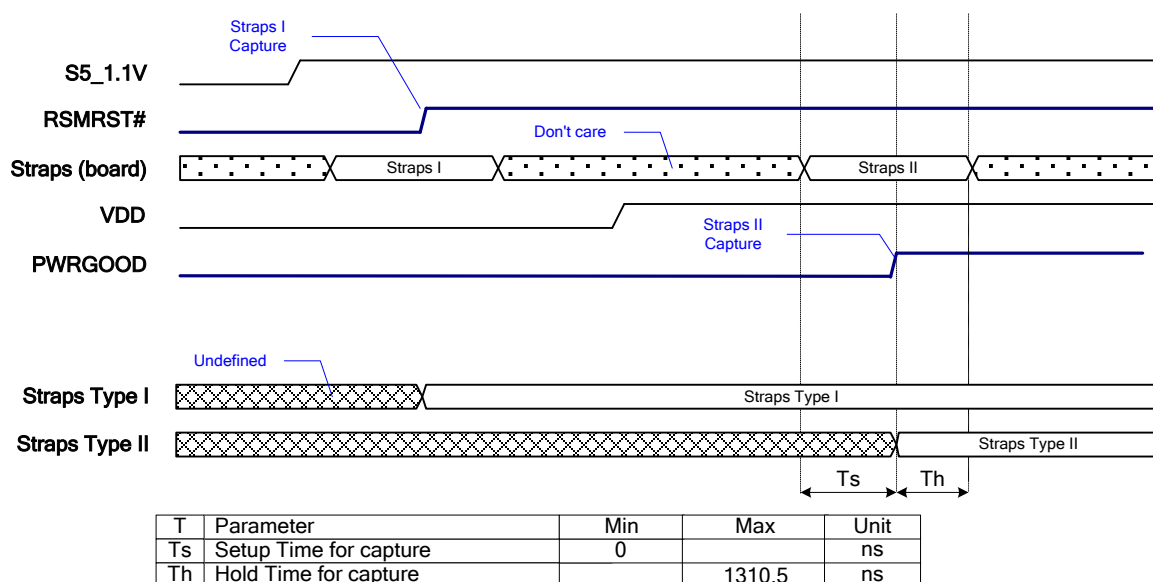


Figure 13. Straps Capture Timing

Straps are also classified into two groups—standard and debug. Standard straps are required for selecting different chip options at power-up. Debug straps are used for debugging purposes only and do not require population for production boards. However, provisions for connecting pull-ups or pull-downs on the debug strap signals should be made if they are not used for normal system operation.

Table 28 and Table 29 show the function of every strap signal in the design. All straps are defined such that in the most likely scenario of operation, they will be set to the recommended (or safest) values by default. The values shown in the Description column are the external board strap values, with 3.3V being a pull-up and 0V a pull-down.

Table 28. Standard Straps

Ball Name*	Strap Name	Type	Default Value	Description
LPCCLK0	ECEnableStrap	I	-	Embedded Controller (EC) 0V – Disabled 3.3V – Enabled

Ball Name*	Strap Name	Type	Default Value	Description															
EC_PWM3, EC_PWM2	{ROMTYPE_1, ROMTYPE_0 }	I	-	<table border="0"> <tr> <td>ROMTYPE_1</td> <td>ROMTYPE_0</td> <td>ROM Type</td> </tr> <tr> <td>3.3V</td> <td>0V</td> <td>SPI ROM</td> </tr> <tr> <td>3.3V</td> <td>3.3V</td> <td>Reserved</td> </tr> <tr> <td>0V</td> <td>0V</td> <td>Reserved</td> </tr> <tr> <td>0V</td> <td>3.3V</td> <td>LPC ROM (supports both LPC and PMC ROM types)</td> </tr> </table> <p>Configure these two strap pins to the corresponding state that matches the hardware ROM type installed.</p>	ROMTYPE_1	ROMTYPE_0	ROM Type	3.3V	0V	SPI ROM	3.3V	3.3V	Reserved	0V	0V	Reserved	0V	3.3V	LPC ROM (supports both LPC and PMC ROM types)
ROMTYPE_1	ROMTYPE_0	ROM Type																	
3.3V	0V	SPI ROM																	
3.3V	3.3V	Reserved																	
0V	0V	Reserved																	
0V	3.3V	LPC ROM (supports both LPC and PMC ROM types)																	
LPCCLK1	CLKGEN	II	-	<p>Defines clock generator.</p> <p>0V – External clock mode: Use 100MHz PCIe® clock as reference clock and generate internal clocks only.</p> <p>3.3V – Integrated clock mode: Use 25MHz crystal clock and generate both internal and external clocks.</p>															
PCICLK1	BIF_GEN2_COMPLIANCE_Strap	II	-	<p>Set PCIe to Gen II mode.</p> <p>0V – Force PCIe interface at Gen I mode.</p> <p>3.3V – PCIe interface is at Gen II mode.</p> <p>Not Applicable to SB820M – Leave provision for PD.</p>															
PCICLK2	BootFailTmrEn	II	-	<p>Watchdog function</p> <p>0V – Disable the boot fail timer function.</p> <p>3.3V – Enable the boot fail timer function.</p>															
PCICLK3	DefaultStrapMode	II	-	<p>Default Debug Straps</p> <p>0V – Disable Debug Straps.</p> <p>3.3V – Select external Debug Straps (see Table 29).</p>															
PCICLK4	CPUClkSel	II	-	<p>CPU/NB HT Clock Selection</p> <p>0V – Reserved</p> <p>3.3V – Required setting for integrated clock mode</p> <p>This strap is not used if the strap CLKGEN is configured for external clock generator mode.</p>															

Ball Name*	Strap Name	Type	Default Value	Description
AZ_SDOUT	CoreSpeedMode	II	-	Slow down core clock for low power platform. 0V – Required setting (performance mode) 3.3 V – Reserved (as low power mode is not supported)

* **Note:** For clarity's sake, ball names for strap pins given in this table are truncated to show only the beginning parts. Refer to the pins lists in Appendix A for the complete ball names.

Table 29. Debug Straps

Ball Name	Strap Name	Type	Default Value	Description
AD27	PciPllByP	II	3.3V (Internal PU of 15k Ω)	Bypass PCI PLL (used in functional test at tester) 0V – Bypass internal PLL clock. Use xSPciReqB_1_ as SPCI33 bypass clock. Use xSPciReqB_2_ as A-Link bypass clock. Use xSPciGntB_1_ as B-Link bypass clock. Use xSPciGntB_0_ as B-Link266 bypass clock. 3.3V – Use internal PLL-generated PLL CLK.
AD26	ILAAutorunEnB	II	3.3V (Internal PU of 15k Ω)	ILA auto run Enable 0V – ILA auto run enable 3.3V – ILA auto run disable
AD25	FCClkByP	II	-	Bypass FC CLK 0V – Bypass internal FC Clk (used in functional test at tester). Use xSPciReqB_0_ as FC 1xClk bypass clock. Use xSPciGntB_2_ as FC 2xClk bypass clock. 3.3V – Use internal PLL FC Clk.
AD24	I2CRomEn	II	3.3V (Internal PU of 15k Ω)	I ² C ROM enable. Load the settings for A-Link Express/PLL/ misc control from I ² C ROM. 0V – Getting the value from I ² C EPROM. I ² C EPROM ADDRESS set to all zeroes. Use REQ3# as SDA. Use GNT3# as SCL. 3.3V – Disable I2C ROM

Ball Name	Strap Name	Type	Default Value	Description
AD23	PCI_ROM_BOOT	II	3.3V (Internal PU of 15k Ω)	Enable ROM Straps to select ROM type 0V – Reserved ** 3.3V – Required setting (use ROMTYPE straps to determine the ROM type) **Note: Strap option was originally for booting from PCI memory; the feature is not supported, as it has not been productized.

Chapter 5 Power Sequence and Timing

This chapter describes the power-on sequence and other timing data, for the SB820M Southbridge.

5.1 Power Sequence

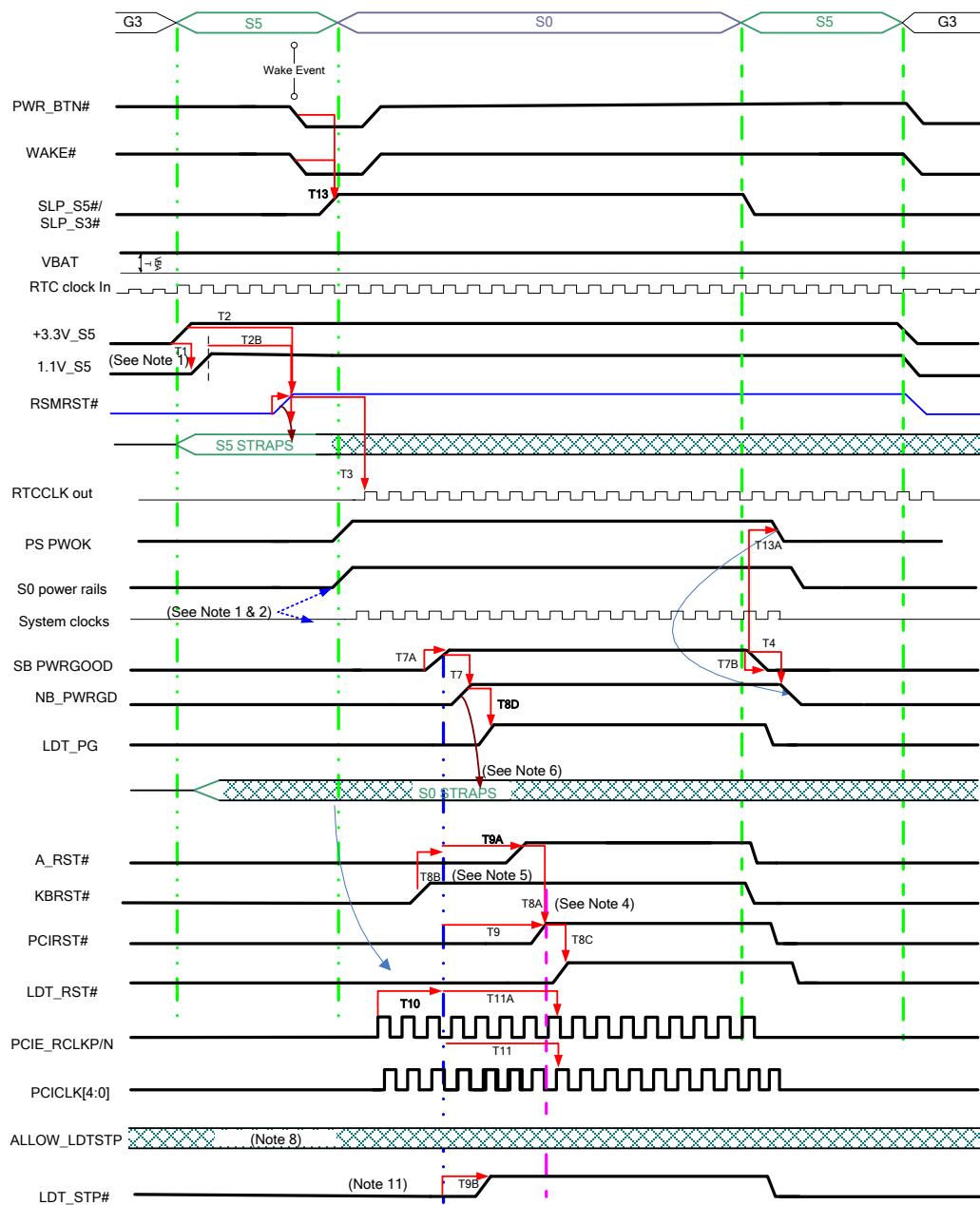


Figure 14. Power-on Sequence (S5 → S0 → S5)

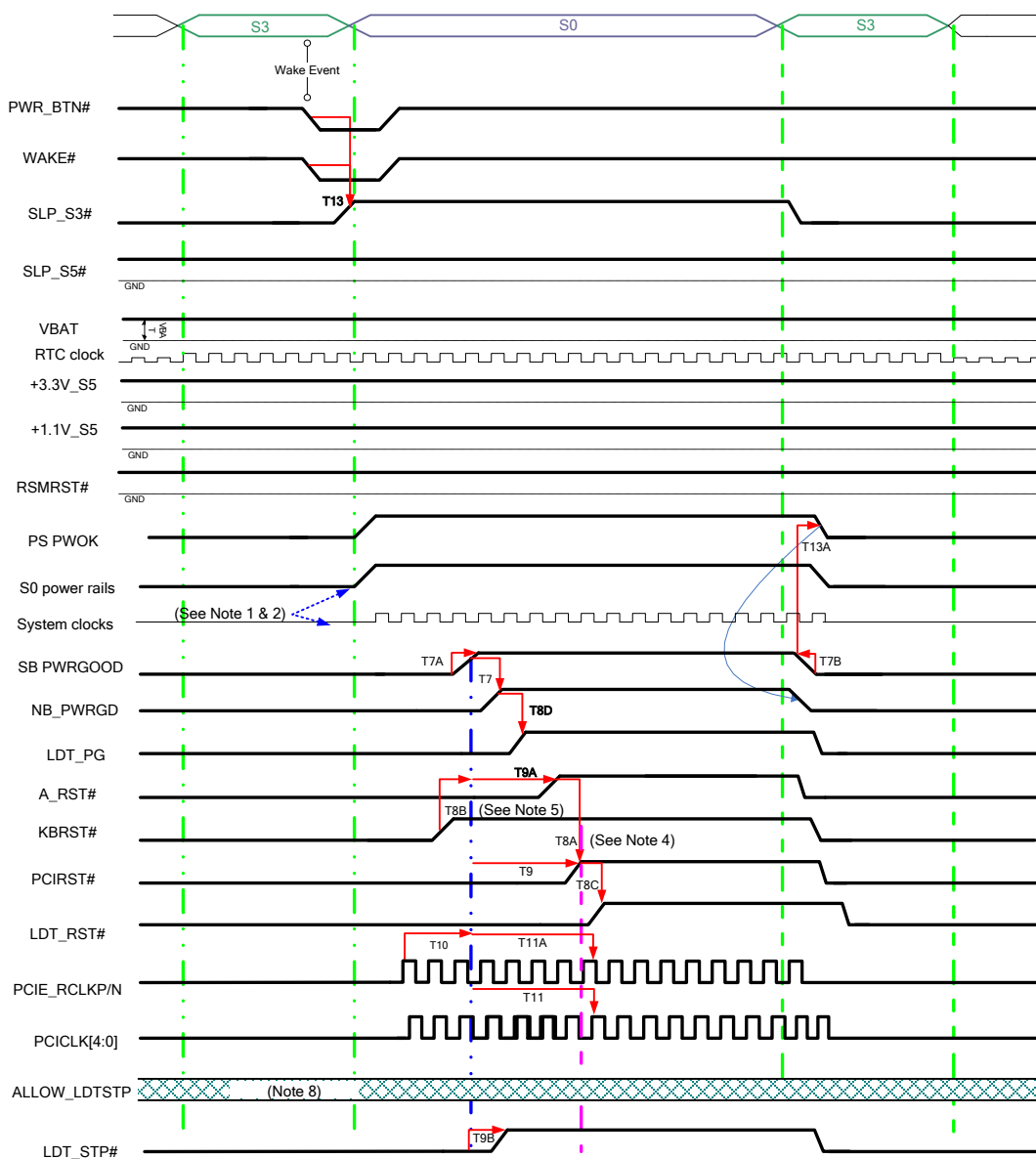


Figure 15. Power-on Sequence (S3 → S0→ S3)

Table 30. Power Sequence Timing

	Min.	Max.	Description
T1	Note 1		+3.3V_S5 to +1.1V_S5
T2	10 ms	–	+3.3V_S5 to resume reset (RSMRST#).
T2B	(See Description)		+1.1V_S5 should ramp up to nominal voltage before resume reset (RSMRST#) is de-asserted.
T2A	–	50 ms	Resume reset (RSMRST#) rise time (10% to 90%). See Note 11.
T3	16 ms	–	RSMRST# de-asserted to start of RTCCLK output from the SB.
T4	–	50 ns	SB PWR_GOOD de-assertion to NB_PWRGD de-assertion delay.
T7			See Table 31 and Table 32 below.
T7A	–	50 ms	SB PWR_GOOD rise time (10% to 90 %). See Note 3.
T7B	–	1 ms	SB PWR_GOOD fall time.
T8A	0 ns	100 ns	A_RST# (PCI host bus reset) to PCIRST#.
	Note 4		
T8B	–	Note 5	KBRST# to SB PWR_GOOD.
T8C	1.0 ms	2.3 ms	PCIRST# to LDT_RST#.
T8D	77 ms	108 ms	NB_PWRGD to LDT_PG.
T9	101 ms	113 ms	SB PWR_GOOD to PCIRST#.
T9A	101 ms	113 ms	SB PWR_GOOD to A_RST# (T9-T8A).
T9B	31 ms	–	SB PWR_GOOD to LDT_STP#. See Note 12.
T10	-31 ms	–	PCIE_CLKP/N stable time before SB PWRGOOD assertion (for external clock mode only).
T11	36 ms	41 ms	SB PWR_GOOD to stable PCICLK 33 MHz. See Note 8.
T13	–	15 ns	Wake Event (except PwrButton) to SLP_S3# / SLP_S5# de-assertion.
	200 ns	–	Wake Event (PwrButton) to SLP_S3# / SLP_S5# de-assertion (S5/S4/S3 → S0)
	8 ns	--	Wake Event (PwrButton) to SLP_S3# / SLP_S5# de-assertion (G3 → S5 → S0)
T13A	80 ns	–	SB PWR_GOOD must be de-asserted before VDD (PS PWOK) drops more than 5% off the nominal value. See Note 9.
T14	1 ns	–	SB PWR_GOOD de-assertion to Resume Reset (RSMRST#) assertion. See Note 10.
T15	5 s	–	[Not illustrated] VBAT to +3.3V_S5 to +1.1V_S5. Must be greater than 5 seconds to allow start time for the internal RTC.
T16A	40 μs	–	[Not illustrated] LDT_STP# assertion to LDT_RST# assertion.
T16B	4 μs	–	[Not illustrated] LDT_RST# assertion to SLP_S3# assertion.

Table 31. Power Sequence SB PWRGOOD, NB_PWRGOOD, and System Clock Timing (For Internal Clock Mode Only)

Symbol	Min.	Max.	Description
T7	40ms	42ms	SB PWRGOOD assertion to NB_PWRGD assertion delay. Note: This timing only applies to the NB_PWRGD signal generated from SB820M.
T11A	-	38 ms	SB PWRGOOD to stable system clocks (CPU, PCI-E, NB_DISP) when the SB's clock function is enabled to provide all system clocks.
T11B	-	32 ms	[Not illustrated] SB PWRGOOD to clock out (clocks are not stable at this point).
T8D	58 ms	108 ms	NB_PWRGD to LDT_PG.

Table 32. Power Sequence SB PWRGOOD, NB_PWRGD, and System Clock Timing (For External Clock Mode Only)

Symbol	Min.	Max.	Description
T7	0ns	30ns	SB PWRGOOD assertion to NB_PWRGD assertion delay when using the SB820M NB_PWRGD output.

Power up Sequence Timing Notes

Note 1: There are no specific power sequencing requirements. The SB820M power rails are grouped in four different voltages:

- I. +3.3 V, which includes VDDIO_33_PCIGP, VDDIO_AZ_S, VDDAN_33_USB_S_1, and VDDPL_33_PCIE, VDDPL_33_SATA rails.
- II. +1.1 V, which includes VDDAN_11_CLK, VDDAN_11_SATA, VDDAN_11_PCIE, VDDCR_11
- III. +1.8 V which includes VDDIO_18_FC_1

The three groups of power rails can be powered up independently without any required relationship between them. The rails within the same group should be powered up at the same time.

Although there are no power-rail sequencing requirements between any specific power-rail groups (except for VBAT—see Note 13 below), customers can use the power rail power-up sequence given in Ch.5 of the *AMD SB800-Series Southbridges Motherboard Design Guide* as a reference. All AMD SB800-series reference platforms are designed to follow that reference power-up sequence.

Note 3: The SB will latch the straps after rising edge of SB PWR_GOOD only once. With de-bouncing of SB PWR_GOOD, the latching of strap will occur at approximately ~10ms after the rising edge of SB PWR_GOOD.

Note 4: Typical time between A_RST# and PCIRST# is 75 ns. The measurement should be done at 10% of both signals. Loading on the motherboard may cause the measurement at 90% be more than the spec.

Note 5: The KBRST# should be de-asserted before SB PWR_GOOD is asserted.

Note 6: Type II Standard and Debug straps will be latched after SB PWR_GOOD is asserted. Type I straps are latched on resume reset rising edge.

Note 7: The SB will not monitor the ALLOW_LDTSTP signal on power up. This signal is only used on C3 transitions.

Note 8: The PCI Clock may be stable before T11 min. under some conditions; however in all cases, the PCI Clock is guaranteed to be stable only between T11 min. and max.

Note 9: The SB will monitor internally the power down events and protect the internal circuit during the power down event. This includes power down during the S3, S4, and S5 states. During an unexpected power failure or G3 state, the relationship between the 1.1 V (VDDCR) and SB Power Good should be maintained to protect the internal logic of the SB820M.

Note 10: The following figure shows the timing of SB PWR_GOOD de-asserted to RSMRST# de-asserted during a power down sequence. However, this timing only applies to S0 to G3 state transition, because G3 state is where both signals are inactivated.

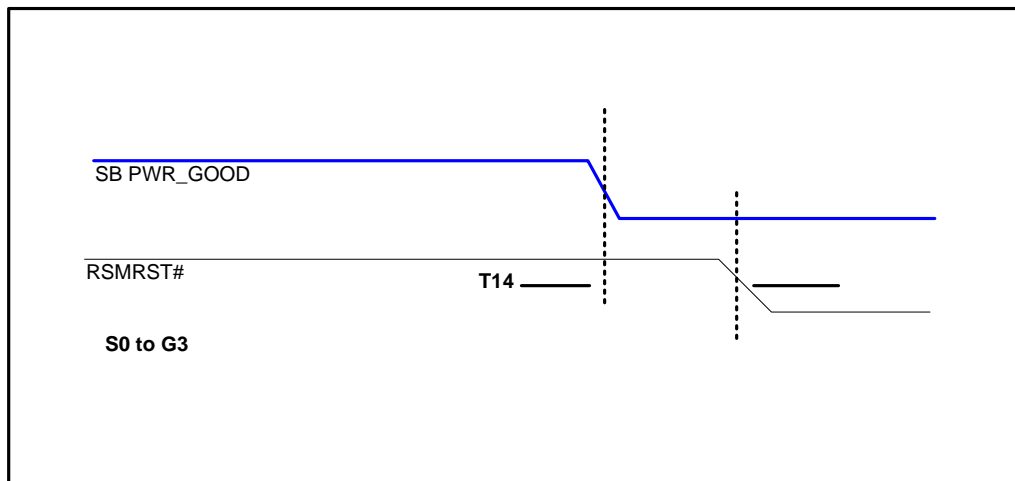


Figure 16. Timing for SB PWR_GOOD De-asserted to RSMRST# De-asserted

Note 11: When measuring the RSMRST# timing T2A, the loading of the motherboard PCB trace may cause a slow rise time, which should be taken in account. See Figure 17 below.

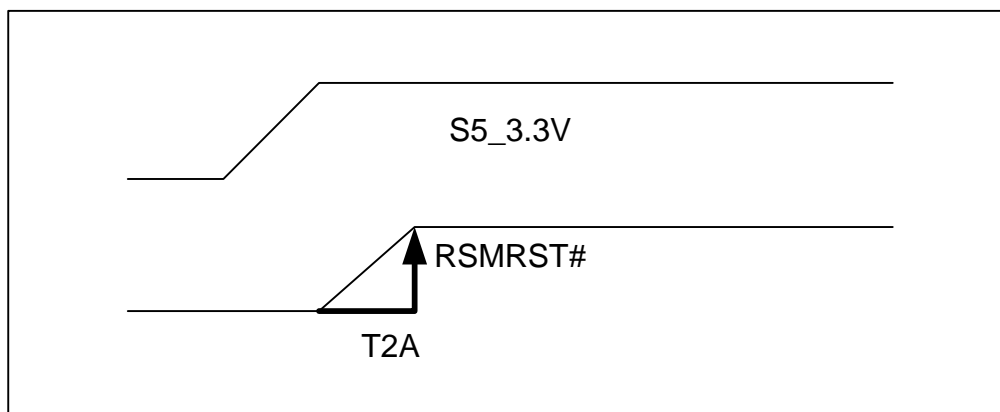


Figure 17. Measurement for RSMRST# Timing (T2A)

Note 12: On first power up, G3 → S5 transition, or after RSMRST# assertion, LDT_STP# will be asserted together with CPU_VDDIO power. On subsequent power up or S5 → S0 transition, the timing requirement on T9B will apply. See Figure 18.

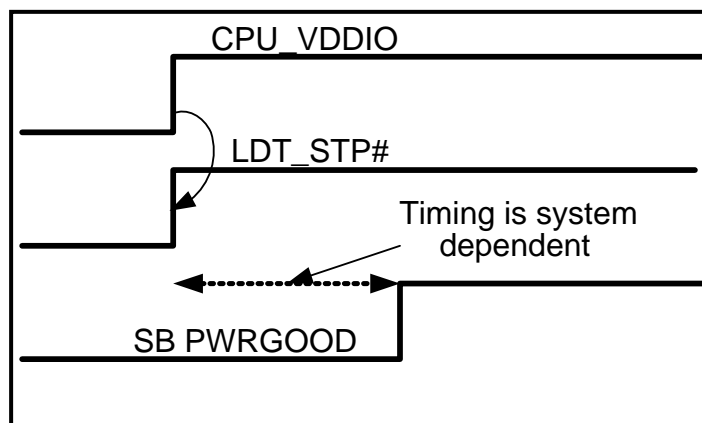


Figure 18. LDT_STP# Timing at First power-up, G3→G5, or after RSMRST# Assertion

Note 13: VBAT powers the RTC clock input to the SB. The RTC clock must be functional before deassertion of RSM_RST#. To control this, the VBAT ramp-up time relative to RSM_RST# may need to be controlled. Typical start time varies with different crystals, with most specifications giving a value of 5 seconds.

5.2 Reset Timing

The SB controls the system reset signal timings, which are provided in this section.

5.2.1 ROMRST#

ROMRST# is used for resetting the LPC system ROM. The SB generates ROMRST# and controls the required timing for this signal. Depending on the system configuration, the timing of ROMRST# may be referenced to RSMRST# or A_RST#. Enabling the Embedded Controller (EC) will force the SB to deassert ROMRST# with respect to RSMRST#. This allows the EC to access the ROM before the system access cycle begins.

The ROMRST# timing is shown with respect to RSMRST# and A_RST# in Figure 19 (a) and (b), and Table 33 indicates the figure and the timing value that are applicable to each platform configuration.

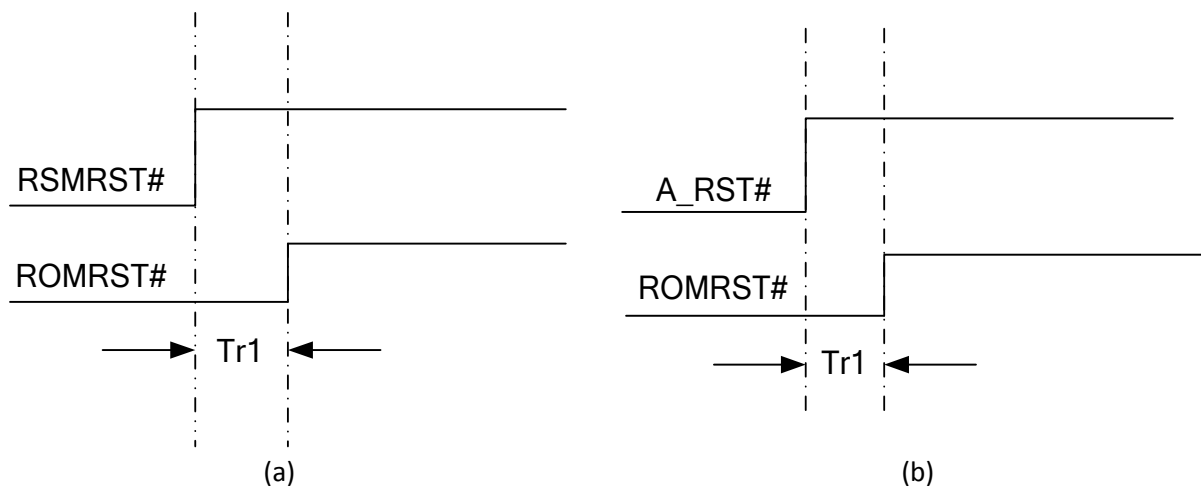


Figure 19. ROM Reset Timing

Table 33. Rom Reset Timing for Various Platform Configurations

EC Enabled	ROM Reset Timing Figure	Tr1 Timing		
		Min.	Typ.	Max.
Y	Figure 19 (a)	-	32 ms	-
N	Figure 19 (b)	-	-	100 ns

5.2.2 System Reset

The SB takes SYS_RST# as an input signal for forcing a cold boot. SYS_RST# functions similarly as RSMRST#: both pins are input to the SB and are generated on the system board. Figure 20 illustrates the timing of APU_RST#, APU_PG, A_RST#, and PCI_RST# with respect to the SYS_RST# signal when SYS_RST# is used to force a system reset. Table 34 shows the values of the timing labels Tr3 to Tr6.

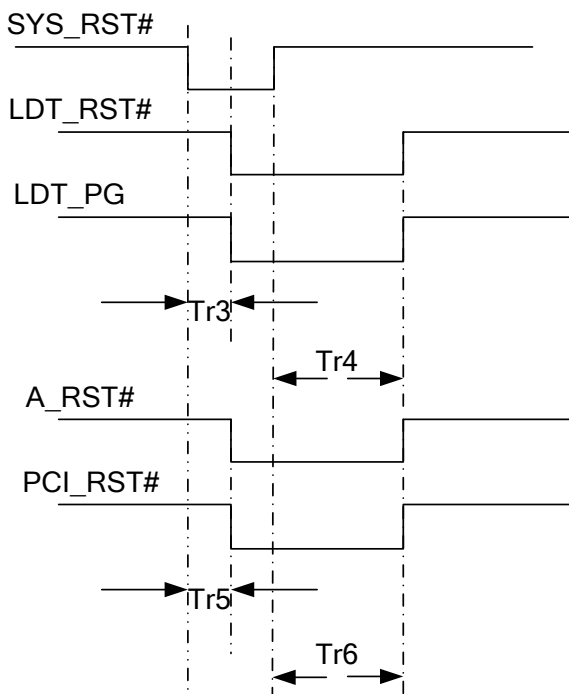


Figure 20. System Reset Timing

Table 34. System Reset Timing

Symbol	Description	Timing
Tr3	SYS_RESET# assertion to LDT_RST# assertion	8 ms typical
	SYS_RESET# assertion to LDT_PG de-assertion	8 ms typical
Tr4	SYS_RESET# deassertion to A_RST# de-assertion	230 ms typical
Tr5	SYS_RESET# assertion to A_RST# assertion	8.05 ms typical
	SYS_RESET# assertion to PCI_RST# assertion	8.1 ms typical
Tr6	SYS_RESET# deassertion to PCI_RST# de-assertion	231 ms typical

5.2.3 PCIe® Reset

PCIe® reset is controlled by the SB PCIE_RST# pin, which resets the GPP lanes on both the NB and the SB. Figure 21 illustrates the PCIe reset timing, and Table 35 shows the timing value.

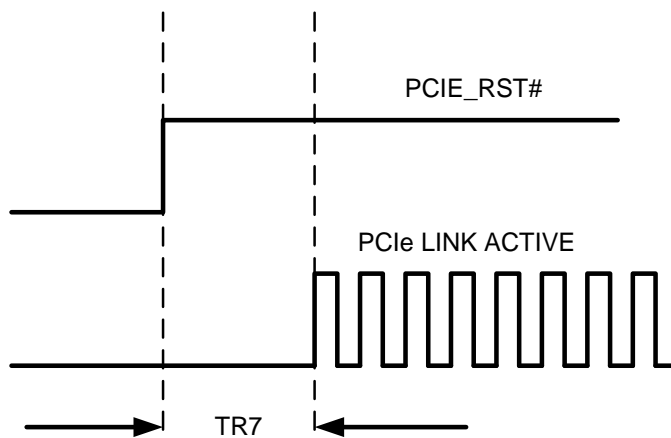


Figure 21. PCIe® Reset Timing

Table 35. PCIe® Reset Timing

Symbol	Description	Timing
Tr7	PCIE_RST# deasserted to PCIe® link active	20 ms max

5.3 Power Button Timing

Figure 22 below illustrates various timing values related to the assertion and deassertion of the power button.

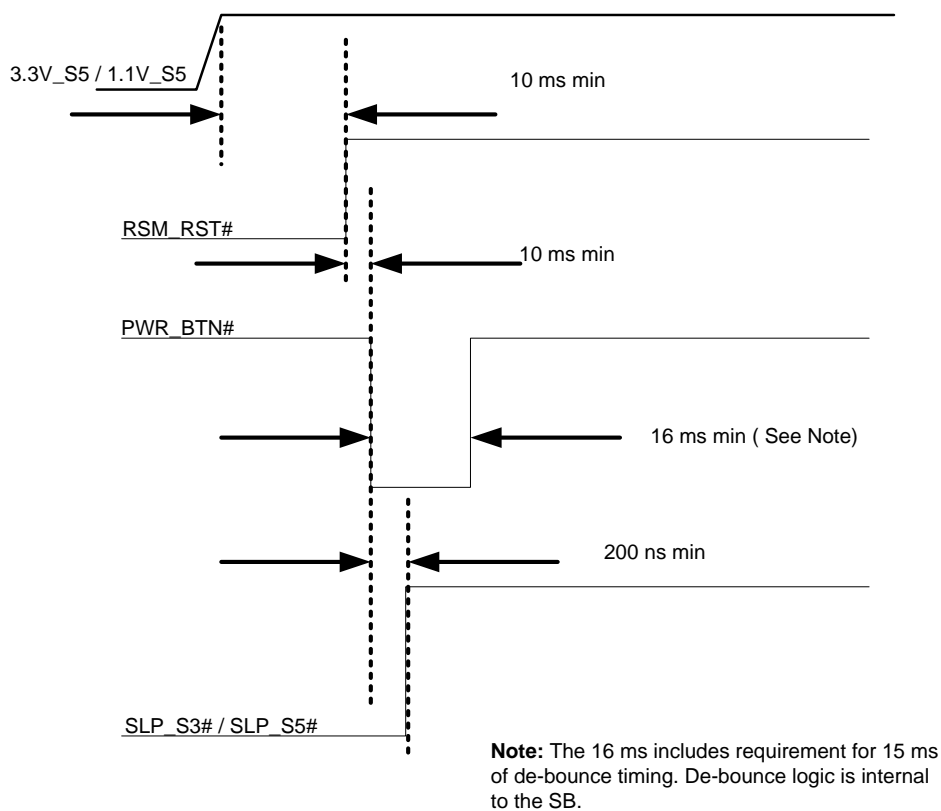


Figure 22. Power Button Timing

5.4 ACPI Timing

5.4.1 S-State Timing

5.4.1.1 S1 and S2 Timing

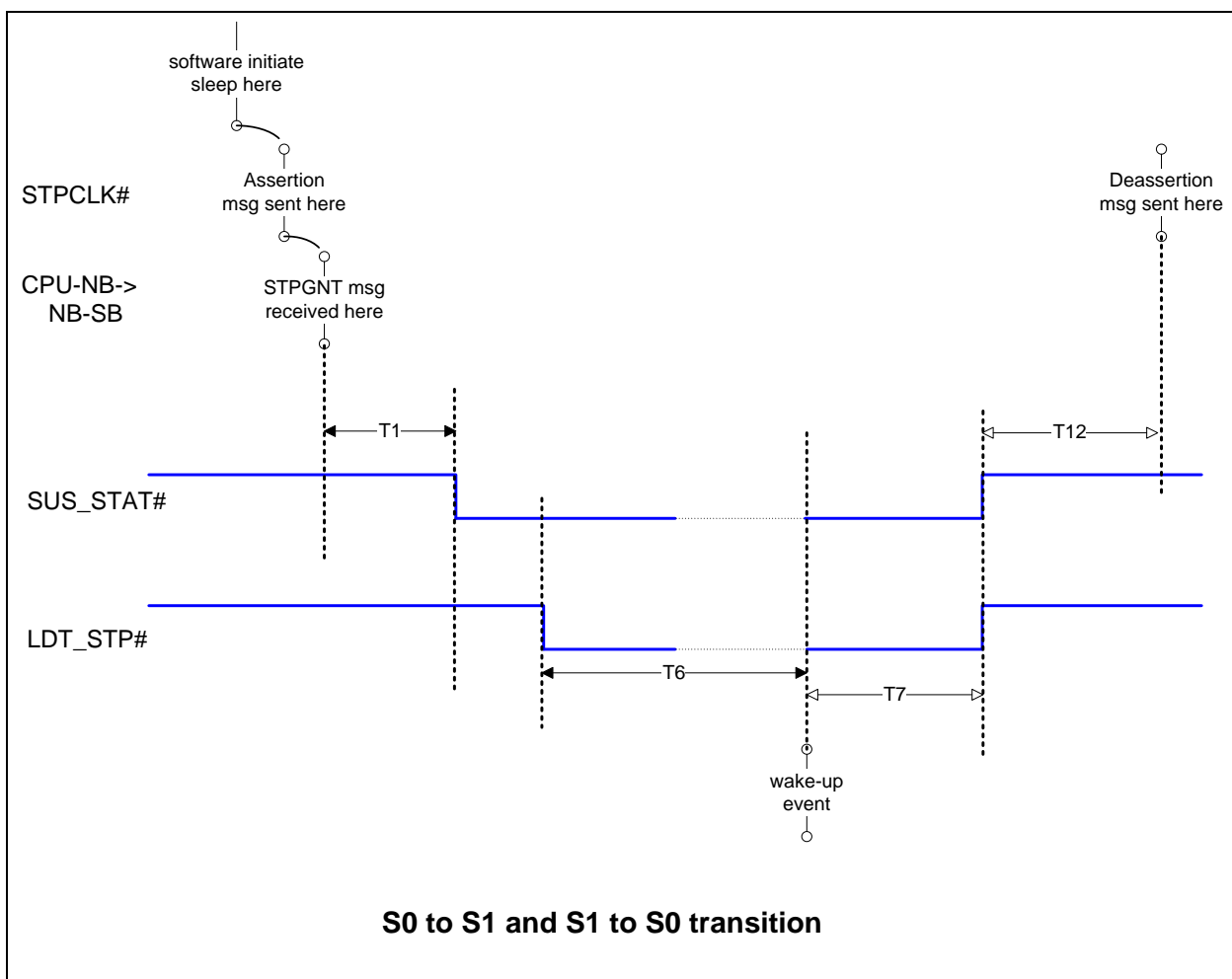


Figure 23. S1-State Timing

Refer to Table 36 for definitions of the timing labels.

5.4.1.2 S3 Timing

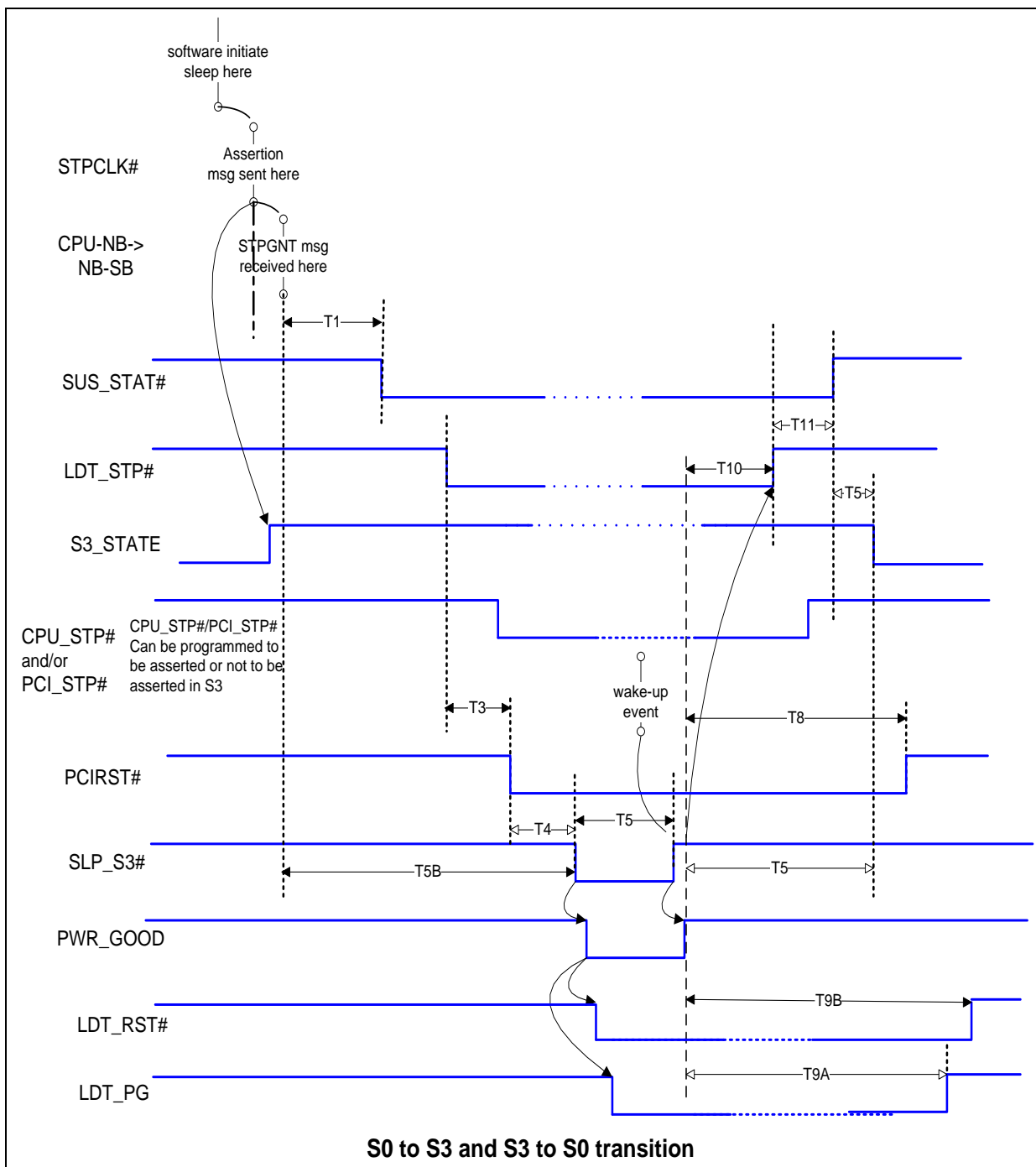


Figure 24. S3 State Timing

Refer to Table 36 for definitions of the timing labels.

5.4.2 S4 and S5 Timing

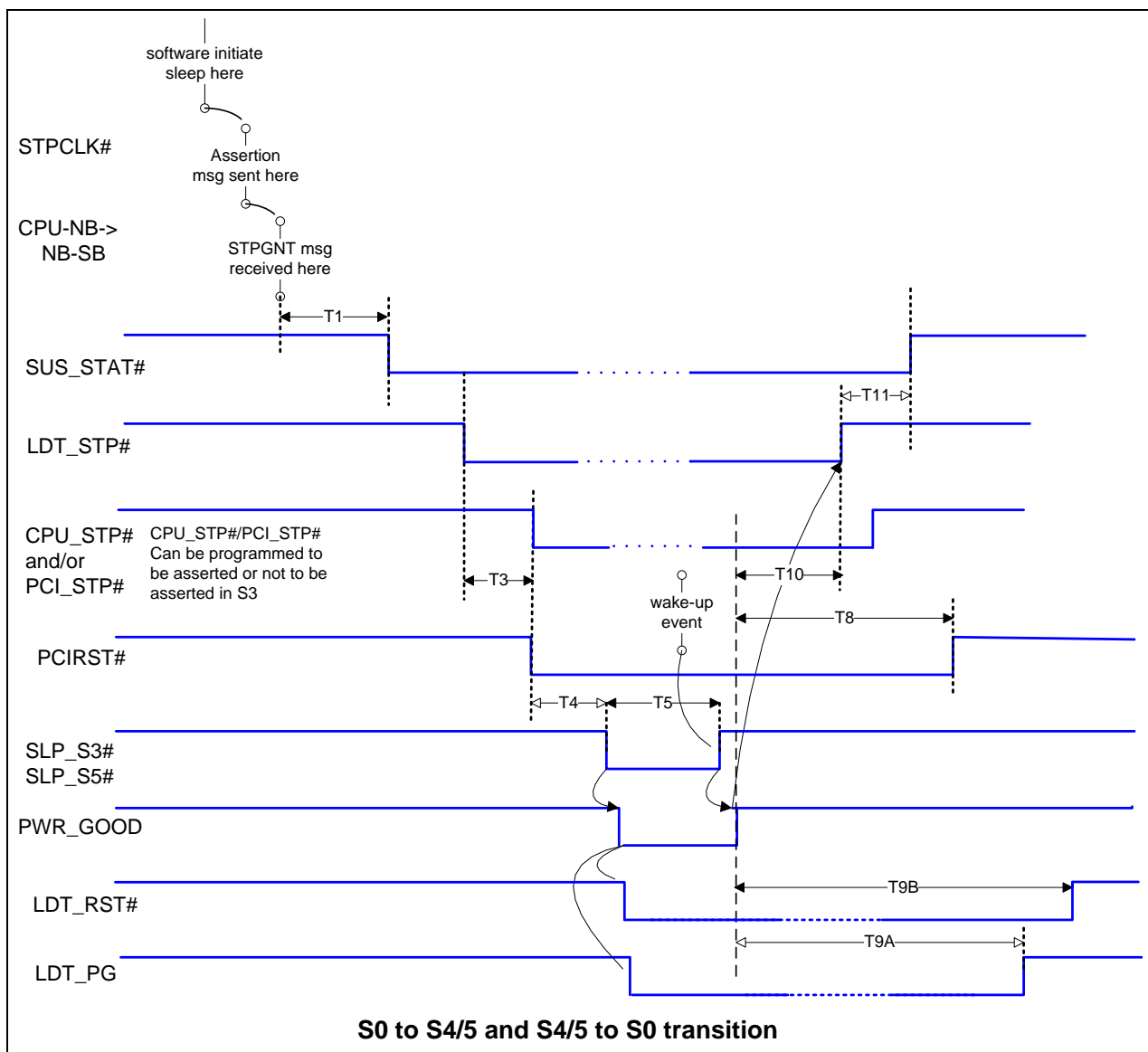


Figure 25. S4 and S5 State Timing

Refer to Table 36 for definitions of the timing labels.

5.4.3 C-State Timing

5.4.3.1 C2 and C3 Timing

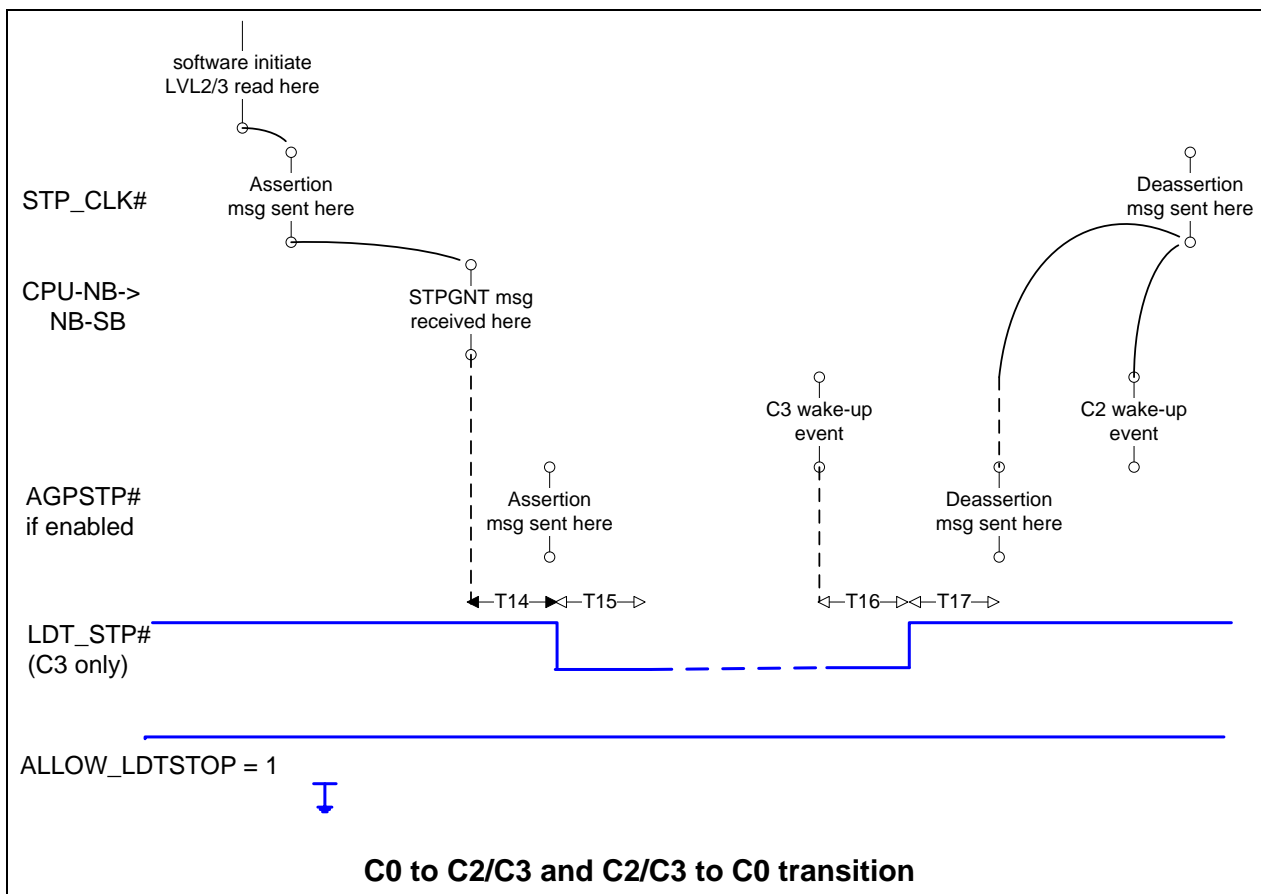


Figure 26. C2/C3-State Timing

Refer to Table 36 for definitions of the timing labels.

5.4.3.2 C3 Timing Transition into Stutter Mode

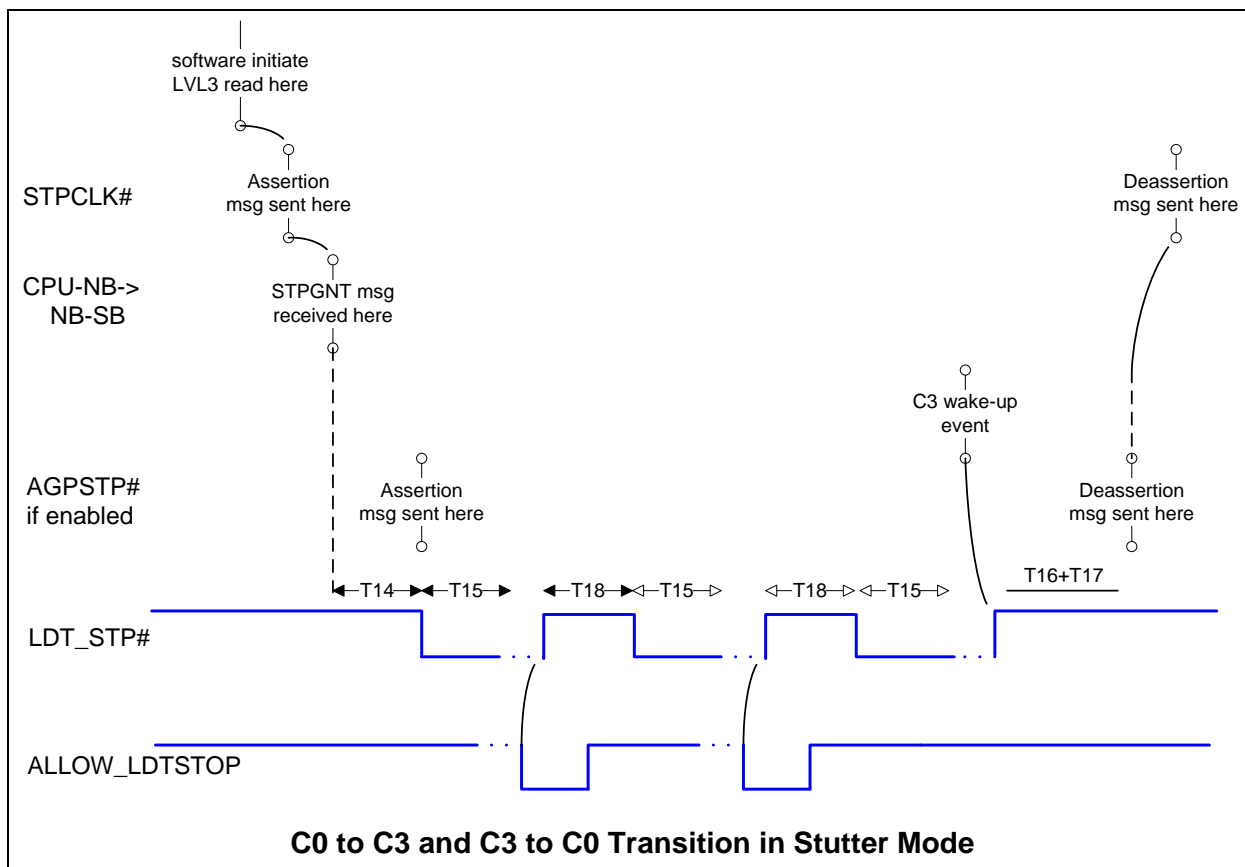


Figure 27. C3 Stutter Mode Timing

Refer to Table 36 for definitions of the timing labels.

5.4.4 VID/FID Change Timing

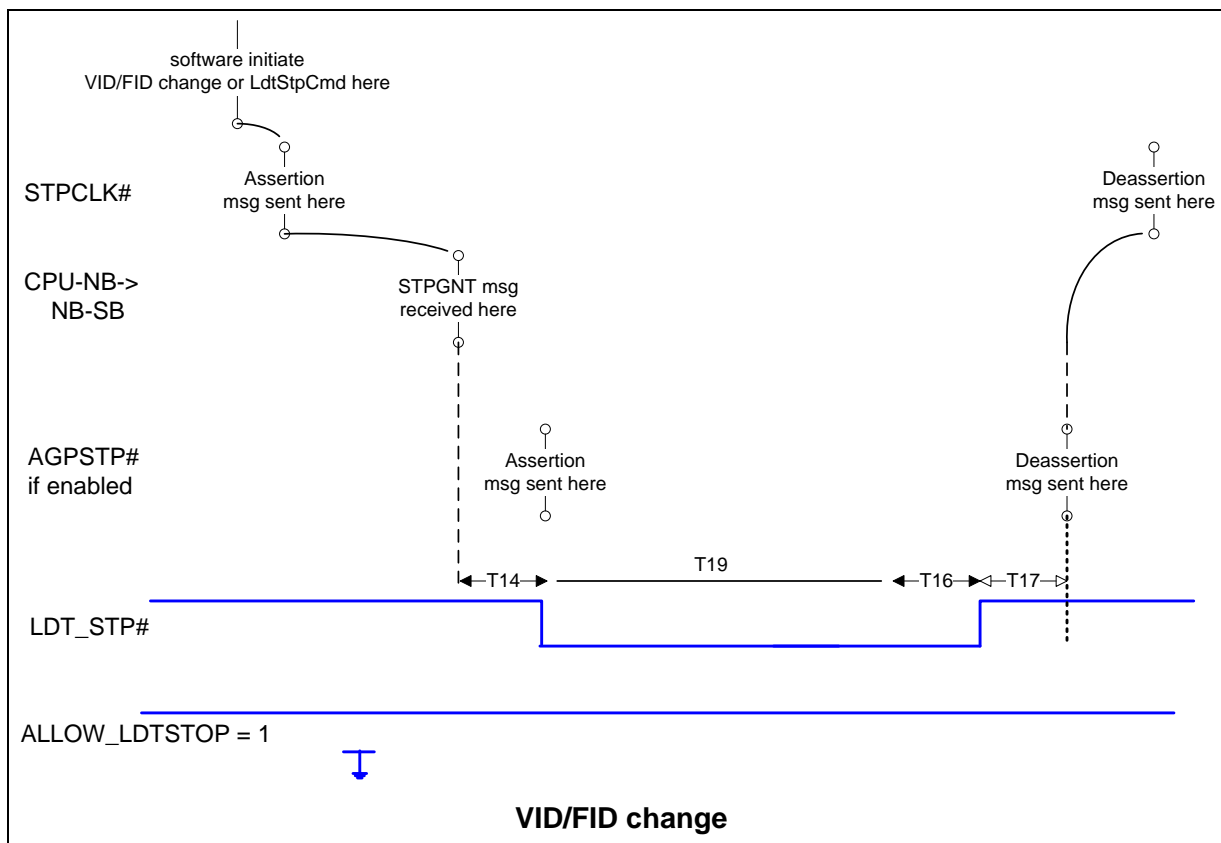


Figure 28. VID/FID Change Timing

Refer to Table 36 for definitions of the timing labels.

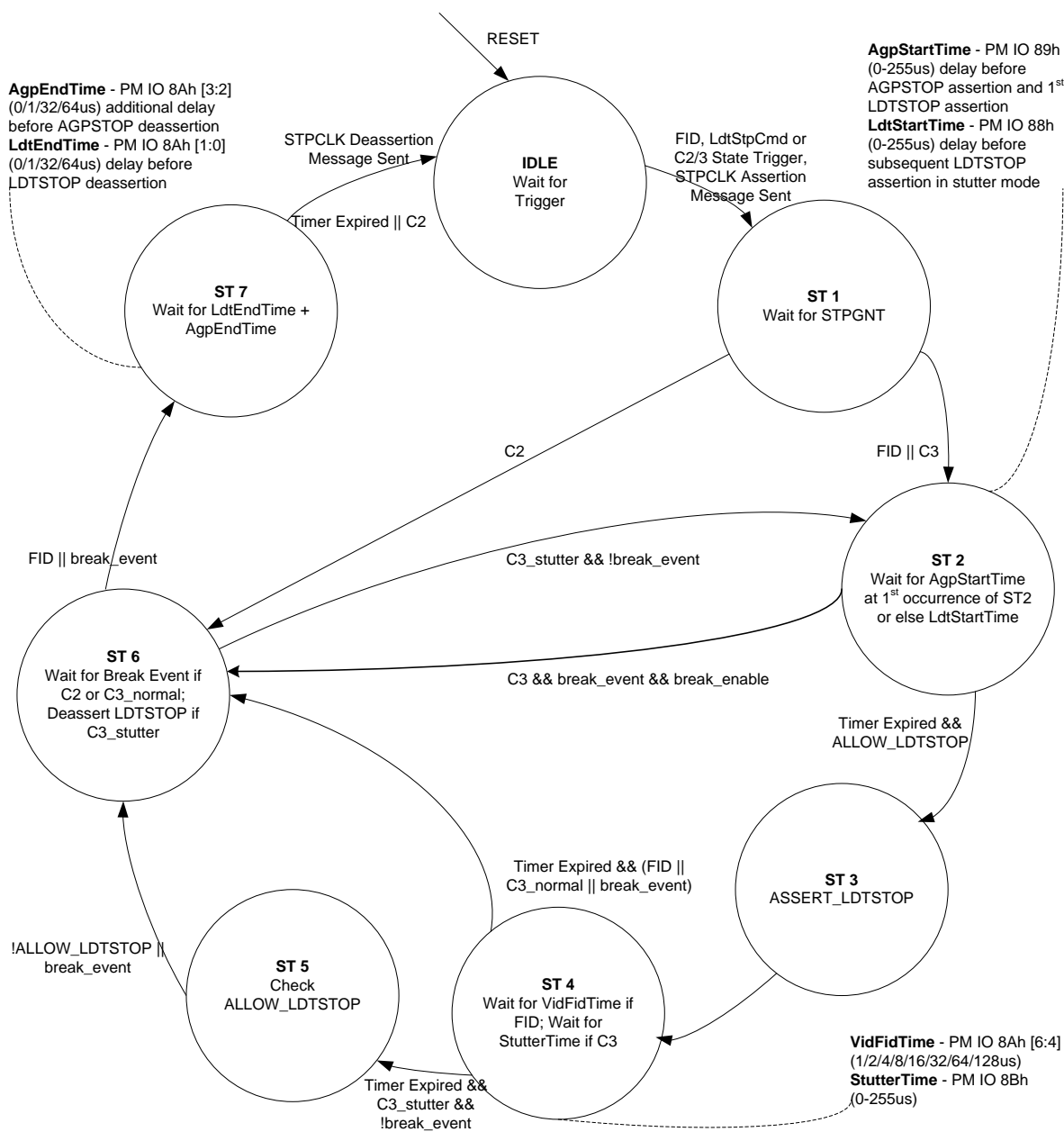


Figure 29. C-State and VID/FID Change Flow Diagram

5.4.5 Timing Definitions and Descriptions

Table 36. Timing Definitions and Descriptions

Time	Min	Typ	Max	Unit	Time Description	Figure
T1	120	128	140	μs	STPGNT message to SUS_STAT# assertion	Figure 23, Figure 24, Figure 25
T3	35	40	45	μs	LDT_STP# assertion to PCIRST# assertion	Figure 24, Figure 25
T4	4	-	5	μs	PCIRST# assertion to SLP_S3# or SLP_S5# assertion	Figure 24, Figure 25
T5	500	-	-	ms	SLP_S3# or SLP_S5# assertion for minimum time	Figure 24, Figure 25
T5B	T1+T2+T3+T4	-	-	-	S3_STATE assertion to SLP_S3# assertion	Figure 24
T5C	T10+T11+T5D	-	-	-	PWR_GOOD assertion to S3_STATE de-assertion	Figure 24
T5D	0	-	0.5	μs	SUS_STAT# de-assertion to S3_STATE de-assertion	Figure 24
T6	44	-	-	μs	LDT_STP# assertion to wake event minimum time	Figure 23
T7	0.5	40	500	μs	wake event to LTD_STP# de-assertion	Figure 23
T8	-	52	-	ms	PWR_GOOD assertion to PCIRST# de-assertion	Figure 24, Figure 25
T9A	99	-	108	ms	PWR_GOOD assertion to LDT_PG assertion	Figure 24, Figure 25
T9B	103.9	-	115.3	ms	PWR_GOOD assertion to LDT_RST# de-assertion	Figure 24, Figure 25
T10	-	32	-	ms	PWR_GOOD asserted to LDT_STP# de-assertion	Figure 24, Figure 25
T11	8	104	1000	μs	LDT_STP# de-assertion to SUS_STAT# de-assertion	Figure 24, Figure 25
T14	0	-	255	μs	AGP Start time	Figure 26, Figure 27, Figure 28

Time	Min	Typ	Max	Unit	Time Description	Figure
T15	1	-	255	μs	Minimum LDT_STP# assertion time	Figure 26, Figure 27
T16	0	-	64	μs	LDT_STP# End time	Figure 26, Figure 27, Figure 28
T17	0	-	64	μs	AGP End time	Figure 26, Figure 27, Figure 28
T18	0	-	255	μs	Minimum LDT_STP# de-assertion time also determined by ALLOW_LDTSTOP	Figure 27
T19	2	-	128	μs	HT-Link disconnect time	Figure 28

Table 37. C3 Enter (Shaded)/Exit

Time	Min	Typ	Max	Unit	Time Description	Figure
T2	-	-	255 μs+T1	-	STPGNT# message to LDT_STP# assertion	-
T12	0	0	18	μs	LDT_STP# de-assertion to STPCLK# de-assertion message	Figure 23

Table 38. C3 Stutter Enter (Shaded)/Exit

Time	Min	Typ	Max	Unit	Time Description	Figure
T2	-	-	255 μs+T1	-	STPGNT# message to LDT_STP# assertion	-
T12	0	0	18	μs	LDT_STP# de-assertion to STPCLK# de-assertion message	Figure 23

Table 39. LdtCmd Enter (Shaded)/Exit

Time	Min	Typ	Max	Unit	Time Description	Figure
T2	-	-	255 μs+T1	-	STPGNT# message to LDT_STP# assertion	-
T12	0	0	18	μs	LDT_STP# de-assertion to STPCLK# de-assertion message	Figure 23

Table 40. S1 Enter (Shaded)/Exit

Time	Min	Typ	Max	Unit	Time Description	Figure
T1	120	128	140	μs	STPGNT message to SUS_STAT# assertion	Figure 23, Figure 24, Figure 25
T2	-	-	255 μs+T1	-	STPGNT# message to LDT_STP# assertion	-
T12	0	0	18	μs	LDT_STP# de-assertion to STPCLK# de-assertion	Figure 23

Table 41. S3 Enter (Shaded)/Exit

Time	Min	Typ	Max	Unit	Time Description	Figure
T1	120	128	140	μs	STPGNT# assertion to SUS_STAT# assertion	Figure 23, Figure 24, Figure 25
T11	8	104	1000	μs	LDT_STP# de-assertion to SUS_STAT# de-assertion	Figure 24, Figure 25

Table 42. S4 Enter (Shaded)/Exit

Time	Min	Typ	Max	Unit	Time Description	Figure
T1	120	128	140	μs	STPGNT# assertion to SUS_STAT# assertion	Figure 23, Figure 24, Figure 25
T11	8	104	1000	μs	LDT_STP# de-assertion to SUS_STAT# de-assertion	Figure 24, Figure 25

5.4.6 Registers for S-State and C-State Timing

The power management registers listed in Table 43 are used for adjusting the Sx and Cx-state timing. For certain Sx and Cx parameters, the default values in these registers will have to be changed to meet the timing requirements. The recommended values listed in the most current revision of the *AMD SB800-Series Southbridges Register Programming Requirements* should be used when programming these registers.

More detailed information on these registers is available in the *AMD SB800-Series Southbridges Register Reference Guide (PID# 45482)*.

Table 44 lists the current recommended values used to derive timing values listed in Table 36.

Table 43. Registers for Programming Sx and Cx-State Timing

Register Name	PM_IO Reg
Tpreset2	52h
S_LdtStartTime	70h
Tpreset1b	75h
LdtStartTime	88h
AgpStartTime	89h
LdtAgpTimeCntl	8Ah
StutterTime	8Bh
StpClkDlyTime	8Ch

Table 44. Recommend Values for Programming Sx and Cx-State Timing

Time	Register	Recommended value for PM IO registers	Timing Value
T2	PM IO 0x70[7:0] * 1 μ s	PM IO 0x70[7:0] = 00h	0 μ s
T4	Fixed at 64 OSC (1 OSC = .0689 μ s, with OSC clock being a 14.31818MHz input)	-	4 μ s
T6	Fixed at 64 OSC+ 40 μ S	-	44 μ s
T7	6 OSC + PM IO 0x75[5:0] * 8 μ s	PM IO 0x75[5:0] = 05h	40 μ s
T11	PM IO 0x52[5:0] * 8 μ s + PM IO 0x75[5:0] * 8 μ s	PM IO 0x52[5:0] = 08h PM IO 0x75[5:0] = 05h	104 μ s
T12	PM IO 0x8C[7:0] * 1 OSC	PM IO 0x8C[7:0] = 00h	0 μ s
T14	PM IO 0x89 Programmable 0 to 255 μ s	PM IO 0x89 = 0h	0 μ s
T15	PM IO 0x8B Programmable 0 to 255 μ s	PM IO 0x8B = 01h	1 μ s

Time	Register	Recommended value for PM IO registers	Timing Value
T16	PM IO 0x8A[1:0] Programmable 0/1/32/64 μ S	PM IO 0x8A[1:0] = 0h	0 μ s
T17	PM IO 0x8A[3:2] Programmable 0/1/32/64 μ S	PM IO 0x8A[3:2] = 0h	0 μ s
T18	PM IO 0x88 Programmable 0 to 255 μ s	PM IO 0x88 = 00h	0 μ s
T19	PM IO 0x8A[6:4] Programmable 1/2/4/8/16/32/64/128 μ S	PM IO 0x8A[6:4] = 1h	2 μ s

Chapter 6 Electrical Characteristics

Values quoted in this section are preliminary and require further verification.

6.1 Absolute Ratings

To prevent damage to the ASIC, the voltage applied to each power rail should not exceed 10% of its nominal voltage, nor should it fall below -0.5V with respect to VSS.

6.2 Functional Operating Range

Use typical values between +/-5% on all input signals.

6.3 DC Characteristics

Table 45. DC Characteristics of the GPIO pins.

Symbol	Parameter	Minimum	Maximum	Unit	Condition
VDDQ	I/O power	3.0	3.46	V	
VIL	Input Low Voltage	-	1.5	V	
VIH	Input High Voltage	1.5	-	V	
VOL	Output Low Voltage	-	0.4	V	IOL = 8.0 mA (Note 1)
VOH	Output High Voltage	2.4	-	V	IOH = 8.0 mA (Note 1)
ILI	Input Leakage Current	-	10	μ A	Only applicable when the integrated resistors are not enabled.
CIN	Input Capacitance	-	10	pF	Only applicable when the integrated resistors are not enabled.

Note 1: For the GEVENT9# and GEVENT10# pads, the IOL and IOH are programmable to values between 4 and 8 mA.

Table 46. DC Characteristics of the PCI Interface

Symbol	Parameter	Minimum	Maximum	Unit	Condition
VDDQ	I/O power	3.0	3.46	V	
VIL	Input Low Threshold	-	0.3VDD	V	

Symbol	Parameter	Minimum	Maximum	Unit	Condition
VIH	Input High Threshold	0.3VDD	-	V	
VOL	Output Low Voltage	-	0.4	V	IOL = 4.0 mA to 12.0 mA
VOH	Output High Voltage	2.4	-	V	IOH = -4.0 mA to 12 mA
ILI	Input Leakage Current	-	10	μA	Only applicable when the integrated resistors are not enabled.
CIN	Input Capacitance	-	10	pF	Only applicable when the integrated resistors are not enabled.

Table 47. DC Characteristics of the CPU Interface

Symbol	Parameter	Minimum	Maximum	Unit	Condition
ALLOW LDTSTP/ PROC_HOT#					
VCPU_IO	CPU IO Voltage	-	-	V	OD signal
VIL	Input Low Voltage	-	1.0	V	
VIH	Input High Voltage	1.0	-	V	
VOL	Output Low Voltage	-	0.4	V	IOL = 8.0 mA
LDT_PG, LDT_STP#, LDT_RST#					
VDDQ	I/O power			V	OD signal
VOL	Output Low Voltage	-	0.4	V	IOL = 8.0 mA

Table 48. DC Characteristics of RSMRST#

Symbol	Parameter	Minimum	Maximum	Unit	Condition
S5_3.3V	Core standby power	3.0	3.46	V	
VIL	Input Low Voltage	-	1.5	V	
VIH	Input High Voltage	1.5	-	V	
ILI	Input Leakage Current	-	10	μA	
CIN	Input Capacitance	-	10	pf	

Table 49. DC Characteristics of SBPWRGD

Symbol	Parameter	Minimum	Maximum	Unit	Condition
VDDQ	I/O power	3.0	3.46	V	
VIL	Input Low Voltage	-	1.5	V	

Symbol	Parameter	Minimum	Maximum	Unit	Condition
VIH	Input High Voltage	1.5	-	V	
ILI	Input Leakage Current	-	10	μA	
CIN	Input Capacitance	-	10	pf	

Table 50. DC Characteristics of the LPC Interface

Symbol	Parameter	Minimum	Maximum	Unit	Condition
VDDQ	I/O power	3.0	3.46	V	
VIL	Input Low Threshold	-	0.3VDD	V	
VIH	Input High Threshold	0.3VDD	-	V	
VOL	Output Low Voltage	-	0.4	V	IOL = 4.0 mA to 12.0 mA
VOH	Output High Voltage	2.4	-	V	IOH = -4.0 mA to 12 mA
ILI	Input Leakage Current	-	10	μA	Only applicable when the integrated resistors are not enabled.
CIN	Input Capacitance	-	10	pF	Only applicable when the integrated resistors are not enabled.

6.4 RTC Battery Current Consumption

The RTC battery current consumption is estimated as follows:

Table 51. RTC Battery Current Consumption (Preliminary Estimates)

Power State	RTC Battery Current	
	Typical	Maximum
G3 (Off)	< 0.5 μA	< 4 μA
S0-S5	< 0.2 μA	-

The RTC battery life is calculated using the rated capacity of the battery and the typical current numbers. The typical batteries used for the RTC are normally rated for 170 mAh, and the worst case current consumption for the SB820M is 4.0 μA, according to Table 51. Thus, the life of battery can be calculated as follows:

$$170,000 \mu\text{Ah} / 4 \mu\text{A} = 42,500 \text{ h} = 4.8 \text{ years}$$

6.5 States of Power Rails during ACPI S1 to S5 States

Table 52. States of Power Rails during ACPI S1 to S5 States

Power Rail	S0	S1/S2	S3	S5	Description
CLKGEN and Special Power					
VDDXL_33_S	ON	ON	ON	ON	S5_3.3V (Filtered)
VDDPL_33_SYS	ON	ON	OFF	OFF	3.3V (Filtered)
VDDPL_11_SYS_S	ON	ON	ON	ON	S5_1.1V (Filtered)
VDDAN_11_CLK	ON	ON	OFF	OFF	1.1V (Filtered)
USB Pwr					
VDDAN_33_USB_S	ON	ON	ON	ON	USB_3.3V (Filtered)
VDDPL_33_USB_S	ON	ON	ON	ON	USB_3.3V (Filtered)
VDDCR_11_USB_S	ON	ON	ON	ON	USB_1.1V
PCI Express® Analog Power					
VDDPL_33_PCIE	ON	ON	OFF	OFF	3.3V (Filtered)
VDDAN_11_PCIE	ON	ON	OFF	OFF	1.1V (Filtered)
Serial ATA Analog Pwr					
VDDAN_11_SATA	ON	ON	OFF	OFF	1.1V (Filtered)
VDDPL_33_SATA	ON	ON	OFF	OFF	3.3V (Filtered)
Core Pwr					
VDDCR_11	ON	ON	OFF	OFF	1.1V
3.3V I/O Pwr					
VDDIO_33_PCIGP	ON	ON	OFF	OFF	3.3V
IDE/Flash I/O Pwr					
VDDIO_18_FC	ON	ON	OFF	OFF	1.8V
HD Audio Pwr					
VDDIO_AZ_S	ON	ON	ON	ON	S5_1.5V/S5_3.3V
3.3V Standby Pwr					
VDDIO_33_S	ON	ON	ON	ON	S5_3.3V
1.1V Standby Pwr					
VDDCR_11_S	ON	ON	ON	ON	S5_1.1V

6.6 System Clock Specifications

6.6.1 System Clock Descriptions

Table 53. System Clock Input Source Descriptions

Clock Domain	Frequency	Source	Internal Clock Mode Function	External Clock Mode Function
25M_X1, 25M_X2	25 MHz	25-MHz Crystal	Master reference clock	Auxiliary reference clock
PCIE_RCLKP, PCIE_RCLKN	100 MHz	Main clock generator (external clock)	–	For PCIe [®] differential input
SATA_X1, SATA_X2	25 MHz	25-MHz Crystal	Not used. SATA clock is generated internally using 25M-X1/25M_X2 reference clock.	
32K_X1, 32K_X2	32 KHz	32-KHz Crystal	Reference clock for RTC	
USBCLK	48 MHz	48-MHz OSC or internal USB 48-MHz PLL	Not Used. USB clock is generated using the 25M-X1/25M_X2 reference clock.	

6.6.2 System Clock Input Frequency Specifications

Table 54. System Clock Input Frequency Specifications

Clock	Frequency
25M_X1, 25M_X2	25.000 MHz ± 50 ppm
USBCLK	See Table 53
SATA_X1, SATA_X2	See Table 53

6.6.3 System Clock Output AC and DC Specifications

NB_LNK_CLKP/N, GPP_CLKP/N, SLT_GFX_CLKP/N, and NB_HT_CLKP/N: These clocks were designed to be electrically compliant with the PCIe Specification 2.0. Please refer to the *PCI Express[®] CEM 2.0 Specification* for the clocks' AC and DC specifications.

Table 55. NB_DISP_CLKP/N AC Specifications: (Non-Spread Clock)

Symbol	Parameter	100 MHz INPUT		Unit
		Min	Max	
V _{IH}	Differential Input High Voltage	+150	-	mV
V _{IL}	Differential Input Low Voltage	-	-150	mV
V _{CROSS}	Absolute crossing point voltage	+250	+550	mV
T _{PERIOD AVG}	Average Clock Period Accuracy	-300	+300	ppm
T _{CCJITTER}	Cycle to Cycle jitter	-	150	ps
T _{dc}	Reference Duty Cycle	40	60	%
Rising Edge Rate	Rising Edge Rate	0.6	4.0	V/ns
Falling Edge Rate	Falling Edge Rate	-4.0	-0.6	V/ns

Table 56. CPU_HT_CLKP/N AC Specifications

Symbol	Parameter	200/100 MHz Output		Unit
		Min	Max	
V _{OH}	Differential Output High Voltage	+150	-	mV
V _{OL}	Differential Output Low Voltage	-	-150	mV
V _{CROSS}	Absolute crossing point voltage	+250	+550	mV
V _{CROSS DELTA}	Variation of VCROSS over all rising clock edges	-	+140	mV
T _{PERIOD AVG}	Average Clock Period Accuracy	-300	+300	ppm
Rising Edge Rate	Rising Edge Rate	0.6	4.0	V/ns
Falling Edge Rate	Falling Edge Rate	-4.0	-0.6	V/ns
T _{CCJITTER}	Cycle to Cycle jitter	-	150	ps
Duty Cycle	Duty Cycle	40	60	%

Table 57. 14-MHz/25-MHz/48-MHz Auxiliary Clock AC Specifications:

Note: In integrated clock mode this pin will output 14.318 MHz clock. The output frequency varies from cycle to cycle, with an average frequency of 14.318MHz. This clock is available for customers to use on the system board if it meets the requirements of target device. **AMD has not validated this clock on any specific applications.** Since this clock is averaged at 14.318 MHz, AMD does not recommend this clock to be used for devices that use an Internal PLL. The output will generate 12 MHz on power up until after SB PWR_GOOD is asserted. After SB PWR_GOOD assertion, the clock output will be 14MHz. After power up, this pin can be configured to output 25 MHz or 48 MHz clock.

Symbol	Parameter	Value			Unit	Note
		Min	Typ	Max		
14M	14MHz Clock Frequency	14.2146	14.31818	14.8920	MHz	-
25M	25MHz Clock Frequency	24.875	25	25.125	MHz	-
48M	48 MHz Clock Frequency	See Note	48	See Note	MHz	Tolerance is ± 100 ppm
VOL	Output low voltage	-	-	0.4	V	IOL=4.0 mA when highdrive = 0 IOL = 8.0 mA when highdrive = 1
VOH	Output high voltage	2.4	-	-	V	IOH=-4.0 mA when highdrive = 0 IOH = 8.0 mA when highdrive=1
Rising Slew Rate	Rising Slew Rate	1.0	-	4.0	V/ns	50pf load
Falling Slew Rate	Falling Slew Rate	1.0	-	4.0	V/ns	50pf load
Tdc	Duty Cycle	40	-	60	%	

Table 58. PCI Clock AC Specifications

Symbol	Parameter	Value			Unit	Note
		Min	Typ	Max		
Tperiod	Clock period	30	-	33.3	MHz	

Symbol	Parameter	Value			Unit	Note
		Min	Typ	Max		
VOL	Output low voltage		-	0.4	V	IOL = 4.0 mA
VOH	Output high voltage	2.4	-	-	V	IOH = -4.0 mA
Rising Slew Rate	Rising Slew Rate	1.0	-	4.0	V/ns	50pf load
Falling Slew Rate	Falling Slew Rate	1.0	-	4.0	V/ns	50pf load

Chapter 7 Package Information

7.1 Physical Dimensions

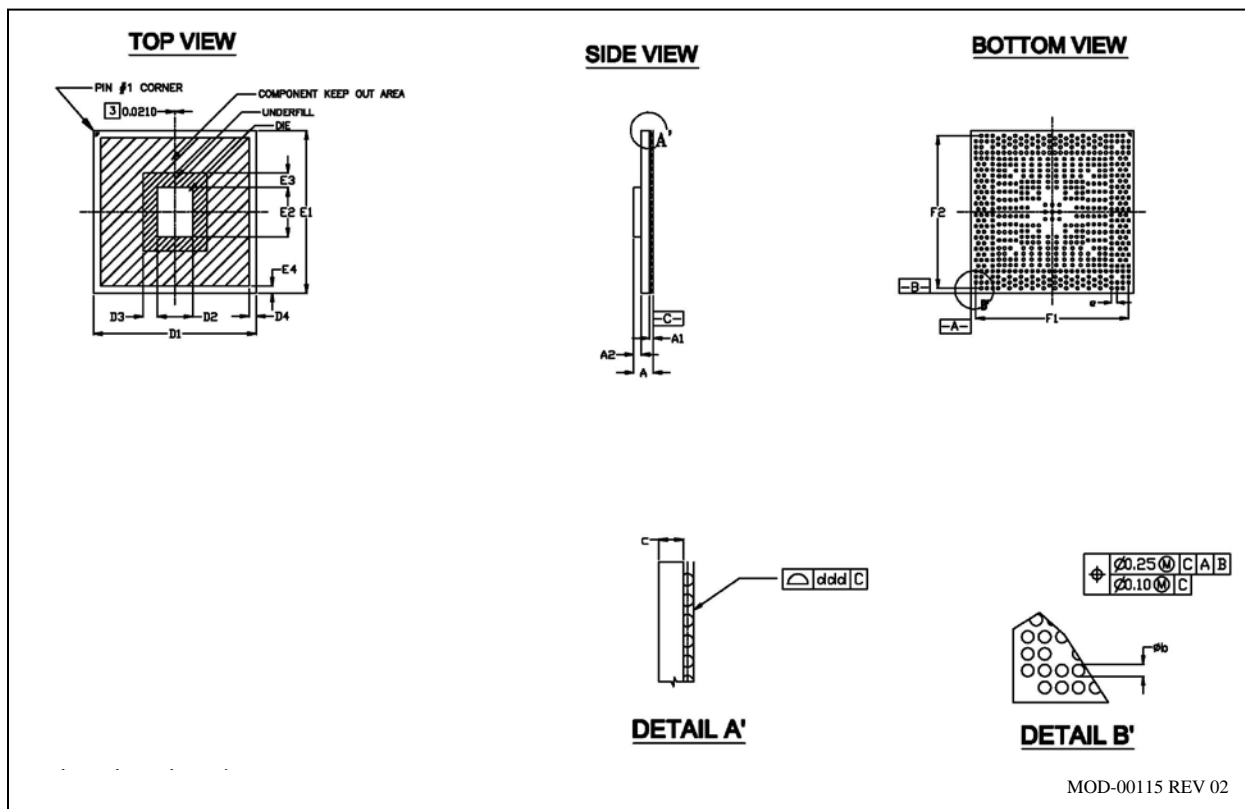


Figure 30. SB820M 23 mm x 23 mm 0.8 mm Pitch 605-FCBGA Package Outline

Table 59. SB820M 23 mm x 23 mm 0.8 mm Pitch 605-FCBGA Physical Dimensions

Ref.	Min(mm)	Nominal (mm)	Max. (mm)
c	0.56	0.66	0.76
A	1.77	1.92	2.07
A1	0.30	0.40	0.50
A2	0.81	0.86	0.91
φb	0.40	0.50	0.60
D1	22.85	23.00	23.15
D2	-	5.01	-
D3	2.00	-	-
D4	1.00	-	-
E1	22.85	23.00	23.15

Ref.	Min(mm)	Nominal (mm)	Max. (mm)
E2	-	6.99	-
E3	2.00	-	-
E4	1.00	-	-
F1	-	21.60	-
F2	-	21.60	-
e (min. pitch)	-	0.80	-
ddd	-	-	0.20

7.2 Pressure Specification

To avoid damages to the ASIC (die or solder ball joint cracks) caused by improper mechanical assembly of the cooling device, follow the recommendations below:

- It is recommended that the maximum load that is evenly applied across the contact area between the thermal management device and the die does not exceed 6 lbf. Note that a total load of 4-6 lbf is adequate to secure the thermal management device and achieve the lowest thermal contact resistance with a temperature drop across the thermal interface material of no more than 3°C. Also, the surface flatness of the metal spreader should be 0.001 inch/1 inch.
- Pre-test the assembly fixture with a strain gauge to make sure that the flexing of the final assembled board and the pressure applying around the ASIC package will not exceed 600 micron strain under any circumstances.
- Ensure that any distortion (bow or twist) of the board after SMT and cooling device assembly is within industry guidelines (IPC/EIA J-STD-001). For measurement method, refer to the industry approved technique described in the manual IPC-TM-650, section 2.4.22.

7.3 Thermal Information

This section describes some key thermal parameters of the SB820M. For a detailed discussion on these parameters and other thermal design descriptions including package level thermal data and analysis, please consult the *Thermal Design and Analysis Guidelines for the SB800-Series Southbridges*, order# 45488.

Table 60. SB820M Thermal Limits

Parameter	Minimum	Nominal	Maximum	Unit	Note
Operating Case Temperature	0	—	105	°C	1
Absolute Rated Junction Temperature	—	—	125	°C	2
Storage Temperature	-40	—	60	°C	
Ambient Temperature	0	—	45	°C	3

Parameter	Minimum	Nominal	Maximum	Unit	Note
Thermal Design Power	—	See Table 61	—	W	4

Notes:

1. The maximum operating case temperature is measured based on the methodology given in the document *Thermal Design and Analysis Guidelines for the SB800-Series Southbridges, order # 45488*, Chapter 11. This is the temperature at which the functionality of the product is qualified.
2. The maximum absolute rated junction temperature is the junction temperature at which the device can operate without causing damage to the ASIC.
3. The ambient temperature is the temperature of the local intake air to the thermal management device. The maximum ambient temperature is dependent on the heatsink's local ambient conditions as well as the chassis' external ambient temperature. Refer to Chapter 5 in the *Thermal Design and Analysis Guidelines for the SB800-Series Southbridges, order # 45488*, for heatsink and thermal design guidelines. Refer to Chapter 6 of the above mentioned document for details of the ambient conditions.
4. Thermal Design Power (TDP) is defined as the highest power dissipated while running currently available worst case applications at nominal core voltages. The core voltage was raised to 5% above its nominal value for measuring the ASIC power. Parts specifically screened for higher core power were used for TDP measurement.

Table 61. SB820M Thermal Design Power for Different Platform Configurations

	Performance	Mainstream	Low Power (Mainstream)	Low Power (UltraThin)
Clock Gen	Enabled	Enabled	Enabled	Enabled
SATA	6Gb/s	3Gb/s	3Gb/s	3Gb/s
SATA Ports	6	6	4	2
RAID	0,1	0,1	0,1	N/A
FIS-Based Switching	N/A	N/A	N/A	N/A
PCIe [®] Gen 1 GPP	2x1	2x1	N/A	N/A
A-Link II	x4	x4	x4	x2
USB Ports	14 + 2	14 + 2	10 + 2	8 + 2
33MHz PCI	Enabled	Enabled	N/A	N/A
TDP	5.3W	4.9W	4.0W	3.4W

7.4 Reflow Profile

A reference reflow profile is given below. Please note the following when using RoHS/lead-free solder (SAC105/305/405 Tin-Silver-Cu):

- The final reflow temperature profile will depend on the type of solder paste and chemistry of flux used in the SMT process. Modifications to the reference reflow profile may be required in order to accommodate the requirements of the other components in the application.
- An oven with 10 heating zones or above is recommended.
- To ensure that the reflow profile meets the target specification on both sides of the board, a different profile and oven recipe for the first and second reflow may be required.
- Mechanical stiffening can be used to minimize board warpage during reflow.
- It is suggested to decrease temperature cooling rate to minimize board warpage.
- This reflow profile applies only to RoHS/lead-free (high temperature) soldering process and it should not be used for eutectic solder packages. Damage may result if this condition is violated.
- Maximum 3 reflows are allowed on the same part.

Table 62. Recommended Board Solder Reflow Profile - RoHS/Lead-Free Solder

Profiling Stage	Temperature	Process Range
Overall Preheat	Room temp to 220°C	2 mins to 4 mins
Soaking Time	130°C to 170°C	Typical 60 – 80 seconds
Liquidus	220°C	Typical 60 – 80 seconds
Ramp Rate	Ramp up and Cooling	<2°C / second
Peak	Max. 245°C	235°C +/-5 °C
Temperature at peak within 5°C	240°C to 245°C	10 – 30 seconds

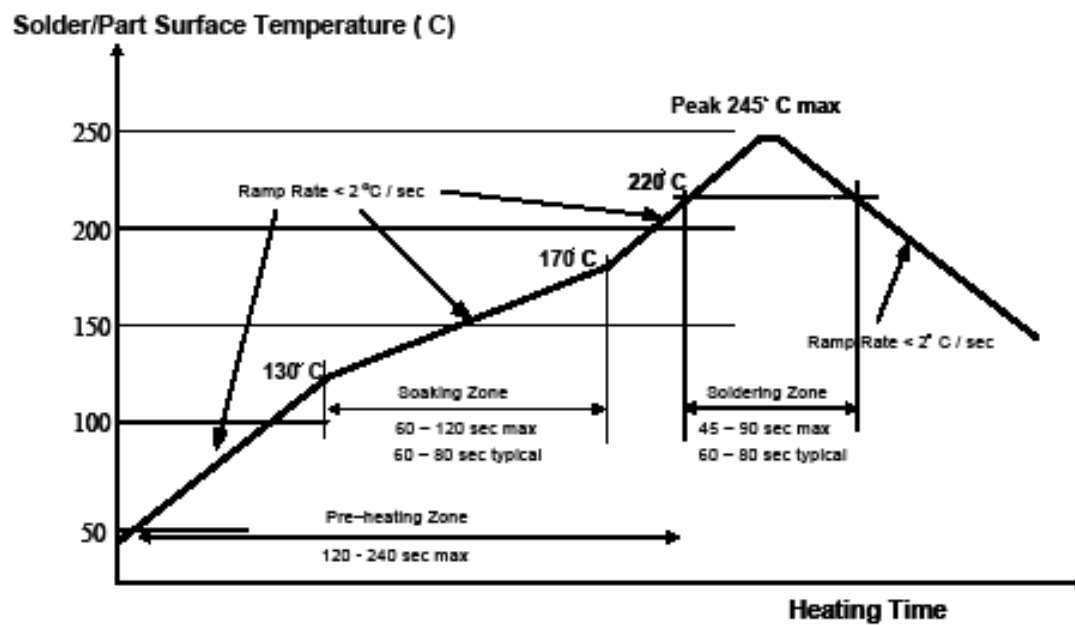


Figure 31. RoHS/Lead-Free Solder (SAC305/405 Tin-Silver-Copper) Reflow Profile

Chapter 8 Testability

8.1 XOR Chain Test Mode

8.2 Test Control Signals

Table 63 below shows the signals used for the integrated test controller of the SB820M.

Table 63. Signals for the Test Controller of the SB820M

Signal Name	Description
25M_X1, 25M_X2	25-MHz Reference Clock.
TEST0	Test0 input.
TEST1	Test1 input.
TEST2	Test2 input.

Table 64 shows how Test[2:0] are used to select the normal operation, ASIC debug, or test mode.

Table 64. Test Mode Signals

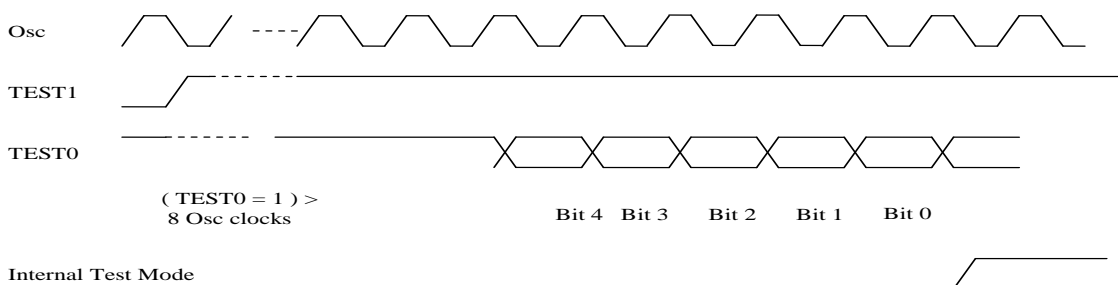
TEST2	TEST1	TEST0	Test Mode	Description
0	0	0	None	Normal operation
0	0	1	Reserved	Reserved for ASIC debug
0	1	X	Test Mode	EnableTest Mode
1	X	X	Reserved	Reserved for ASIC debug

When TEST2 is low, a low on TEST1 will reset all test logic and allow TEST0 to choose between normal operation and the reserved debug mode. A high on TEST1 should be followed by a bit sequence on TEST0 to define the test mode into which the SB820M will enter. A new test mode can be entered when a new bit sequence is transmitted. In addition to resetting the test controller asynchronously with TEST1, a bit sequence can also be used to synchronously change the test mode. Table 65 shows the legal bit sequences for TEST0. Note: Once the Test mode or Test mode and sub test mode is entered, Test2 and Test1 should be kept at 0, 1 respectively until the requirement for the Test Mode is completed.

Table 65. TEST0 Bit Sequence

TEST0 bit sequence	Test Mode
11111	Look for first 0 to define a new test mode
00000	Reserved
00001	Alt Pull High Test
00010	Pull Outputs High
00011	Pull Outputs Low
00100	Pull Outputs to Z
00101	XOR Test Mode

Figure 32 illustrates the data timing for the test signals with respect to the OSC clock. Any timing reference referred in this section is assumed to be based on OSC clock running at 25 MHz. The OSC clock can be slowed down to 1 MHz as long as the bit stream applied on TEST0 pin is also in sync with this clock. The 25-MHz OSC clock should be disconnected first. For setting any Test 0 bit sequence, the OSC clock is required only up-to the time the mode set is completed. After this the clock can be stopped and as long as TEST1 and Test2 pins are set to {1, 0} respectively to maintain the selected mode to be active. Note that once TEST1 is set to one, TEST0 needs to be asserted to one for at least 8 clocks before transmitting the test mode bit sequence. The rising of “Internal Test Mode” in the diagram indicates the time when the SB820M enters into test mode.

**Figure 32. Test Mode Capturing Sequence Timing**

8.2.1 Brief Description of an XOR Chain

A sample of a generic XOR chain is shown in the figure below.

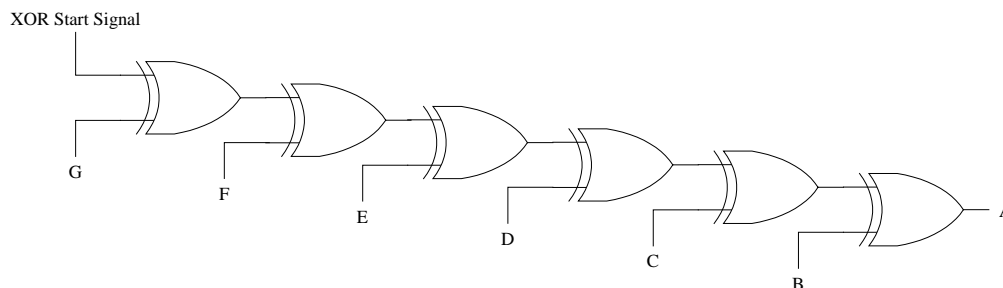


Figure 33. A Generic XOR Chain

Pin A is assigned to the output direction, and pins B through F are assigned to the input direction. It can be seen that after all pins from B to F are assigned to logic 0 or 1, a logic change in any one of these pins will toggle the output pin A.

The following is the truth table for the XOR Chain shown in Figure 33. The XOR start signal is assumed to be logic 1. This is an internal signal to the ASIC and is not part of the XOR tree pins listed in Table 66.

Once the inputs are set to the respective value the output pin will reflect the correct value within 200 ns. Note: OSC clock is not required to be running after the mode is already set and the pads are exercised in XOR Tree function.

Table 66. Truth Table for an XOR Chain

Test Vector number	Input Pin G	Input Pin F	Input Pin E	Input Pin D	Input Pin C	Input Pin B	Output Pin A
1	0	0	0	0	0	0	1
2	1	0	0	0	0	0	0
3	1	1	0	0	0	0	1
4	1	1	1	0	0	0	0
5	1	1	1	1	0	0	1
6	1	1	1	1	1	0	0
7	1	1	1	1	1	1	1

8.2.2 Description of the SB820M XOR Chain

During XOR Chain Test Mode, most of the chip pads on the SB820M are connected together using XOR gates as shown in Figure 34. The first input of the chain is connected to a logic level high (internal connection), and all pads (listed in Table 67) are configured as inputs except for the last pad in the chain, which is configured as an output.

LDT_STP# is the start of the chain and FC_CE2#/GPIOD150 is the end of the chain. Table 67 lists all pads that are on the SB820M XOR chain, as well as and their order of connection. Pads are chained together in the shown order, i.e., pad number 1 is the first pad on the XOR chain, pad number 2 the second, and so on.

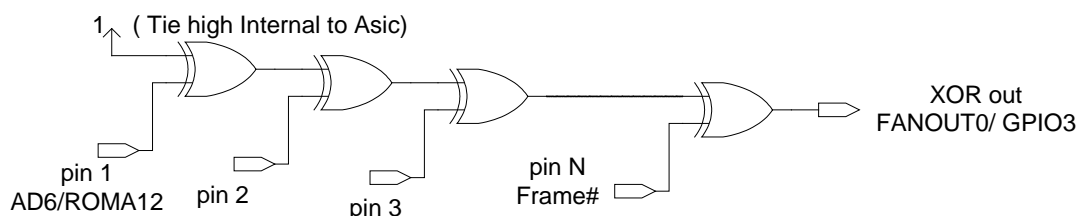


Figure 34. On-chip XOR Chain connectivity

Table 67. List of Pins on the SB820M XOR Chain and the Order of Connection

XOR #	Ball No	Pin Name
1	G22	LDT_STP#
2	J24	LDT_RST#
3	J29	LPC_SMI#/GEVENT23#
4	J27	LAD0
5	J25	LDRQ0#
6	G28	LFRAME#
7	H24	LPCCLK0
8	H25	LPCCLK1
9	H29	LAD2
10	J26	LAD1
11	G24	KSI_0/GPIO201
12	G25	KSI_1/GPIO202
13	H28	LAD3

XOR #	Ball No	Pin Name
14	G29	FC_RST#/GPO160
15	F25	EC_PWM0/EC_TIMER0/GPIO197
16	F29	PS2M_DAT/GPIO191
17	F28	PS2KB_CLK/GPIO190
18	F23	SDA2/GPIO194
19	E27	PS2M_CLK/GPIO192
20	E28	KSI_2/GPIO203
21	E29	KSI_3/GPIO204
22	D27	PS2KB_DAT/GPIO189
23	D28	KSI_5/GPIO206
24	D29	KSI_4/GPIO205
25	C28	KSI_7/GPIO208

XOR #	Ball No	Pin Name
26	C29	KSI_6/GPIO207
27	B28	KSO_0/GPIO209
28	A27	KSO_1/GPIO210
29	B27	KSO_2/GPIO211
30	A26	KSO_4/GPIO213
31	C26	KSO_5/GPIO214
32	D26	KSO_3/GPIO212
33	D25	SCL2/GPIO193
34	B25	KSO_7/GPIO216
35	A24	KSO_6/GPIO215
36	A25	KSO_8/GPIO217
37	B24	KSO_10/GPIO219
38	C24	KSO_11/GPIO220
39	D24	KSO_9/GPIO218
40	F22	EC_PWM2/EC_TIMER2/GPIO199
41	E26	SDA3_LV/GPIO196
42	A23	KSO_13/GPIO222
43	B23	KSO_12/GPIO221
44	B26	SCL3_LV/GPIO195
45	F21	SPI_CS2#/GBE_STAT2/GPIO166
46	A22	KSO_16/GPIO225
47	B22	KSO_17/GPIO226
48	C22	KSO_15/GPIO224
49	D22	KSO_14/GPIO223
50	E22	EC_PWM1/EC_TIMER1/GPIO198
51	E24	PS2_CLK/SCL4/GPIO188
52	E21	EC_PWM3/EC_TIMER3/GPIO200
53	E23	PS2_DAT/SDA4/GPIO187

XOR #	Ball No	Pin Name
54	H21	PROCHOT#
55	K19	LDT_PG
56	G21	ALLOW_LDTSTP/DMA_ACTIVE#
57	H9	USB_FSD0P/GPIO185
58	J10	USB_FSD1P/GPIO186
59	E8	USB_OC3#/AC_PRES/TDO/GEVENT15#
60	F8	USB_OC0#/TRST#/GEVENT12#
61	D7	GBE_LED1/GEVENT9#
62	E7	USB_OC1#/TDI/GEVENT13#
63	H4	DDR3_RST#/GEVENT7#
64	A8	VIN7/GBE_LED3/GPIO182
65	B7	VIN5/GPIO180
66	F7	USB_OC2#/TCK/GEVENT14#
67	B8	VIN6/GBE_STAT3/GPIO181
68	D4	USB_OC4#/IR_RX0/GEVENT16#
69	A7	VIN4/GPIO179
70	B6	TEMPIN0/GPIO171
71	A6	TEMPIN1/GPIO172
72	E2	SPI_DO/GPIO163
73	D5	GBE_LED0/GPIO183
74	A5	TEMPIN2/GPIO173
75	B5	TEMPIN3/TALERT#/GPIO174
76	A4	VIN2/GPIO177
77	A3	VIN0/GPIO175
78	D1	USB_OC6#/IR_TX1/GEVENT6#

XOR #	Ball No	Pin Name
79	D3	SPI_CS3#/GBE_STAT1/GEVENT21#
80	B4	VIN1/GPIO176
81	E1	IR_LED#/LLB#/GPIO184
82	C5	VIN3/GPIO178
83	E4	USB_OC5#/IR_TX0/GEVENT17#
84	H2	GEVENT5#
85	F2	PWR_BTN#
86	F3	IR_RX1/GEVENT20#
87	G5	GBE_LED2/GEVENT10#
88	J1	SYS_RESET#/GEVENT19#
89	K2	LPC_PME#/GEVENT3#
90	J5	SPI_DI/GPIO164
91	F4	SDA1/GPIO228
92	G6	SUS_STAT#
93	G2	ROM_RST#/GPIO161
94	H6	WAKE#/GEVENT8#
95	J2	PCI_PME#/GEVENT4#
96	H3	BLINK/USB_OC7#/GEVENT18#
97	F5	SCL1/GPIO227
98	J6	THRMTRIP#/SMBALERT#/GEVENT2#
99	K4	SPI_CLK/GPIO162
100	K1	RI#/GEVENT22#
101	K9	SPI_CS1#/GPIO165
102	K3	GBE_STAT0/GEVENT11#
103	V5	GBE_RXERR
104	L6	GBE_MDCK
105	L5	GBE_MDIO
106	M9	GBE_PHY_RST#

XOR #	Ball No	Pin Name
107	T1	GBE_COL
108	T4	GBE_CRS
109	V7	GBE_PHY_INTR
110	P4	GBE_PHY_PD
111	P1	PCIE_RST#
112	L1	A_RST#
113	V2	PCIRST#
114	L2	AZ_SDIN0/GPIO167
115	M1	AZ_SDIN2/GPIO169
116	M2	AZ_SDIN1/GPIO168
117	P2	AZ_RST#
118	M4	AZ_SDIN3/GPIO170
119	N2	AZ_SYNC
120	N1	AZ_SDOUT
121	M3	AZ_BITCLK
122	U2	GBE_RXD0
123	U1	GBE_RXD3
124	T5	GBE_RXCTL/RXDV
125	T9	GBE_RXCLK
126	U3	GBE_RXD2
127	T2	GBE_RXD1
128	M7	GBE_TXCTL/TXEN
129	P9	GBE_TXD2
130	M5	GBE_TXD3
131	P5	GBE_TXCLK
132	P7	GBE_TXD0
133	T7	GBE_TXD1
134	Y9	FANOUT2/GPIO54
135	W5	FANOUT0/GPIO52
136	W7	FANIN0/GPIO56
137	W6	FANOUT1/GPIO53

XOR #	Ball No	Pin Name
138	W8	FANIN2/GPIO58
139	V9	FANIN1/GPIO57
140	Y1	PCICLK4/14M_OSC/GPO39
141	W2	PCICLK0
142	W1	PCICLK1/GPO36
143	W3	PCICLK2/GPO37
144	W4	PCICLK3/GPO38
145	AB1	AD3/GPIO3
146	AA6	AD8/GPIO8
147	AD1	AD13/GPIO13
148	AC4	AD11/GPIO11
149	AC1	AD12/GPIO12
150	AA4	AD1/GPIO1
151	AB2	AD5/GPIO5
152	AA1	AD0/GPIO0
153	AC6	AD15/GPIO15
154	AC5	PAR
155	AB6	AD6/GPIO6
156	AB5	AD7/GPIO7
157	AA5	AD4/GPIO4
158	AA3	AD2/GPIO2
159	AD7	LOCK#
160	AE4	SERR#
161	AA10	CBE3#
162	AC2	AD9/GPIO9
163	AA8	CBE0#
164	AE9	AD23/GPIO23
165	AF2	AD22/GPIO22

XOR #	Ball No	Pin Name
166	AG1	AD21/GPIO21
167	AE7	TRDY#
168	AF4	AD27/GPIO27
169	AC11	AD25/GPIO25
170	AH2	AD29/GPIO29
171	AG2	AD30/GPIO30
172	AH3	AD31/GPIO31
173	AG4	INTG#/GPIO34
174	AD12	GNT0#
175	AJ4	INTH#/GPIO35
176	AJ6	INTE#/GPIO32
177	AE11	REQ0#
178	AH4	REQ2#/CLK_REQ8#/GPIO41
179	AJ5	GNT1#/GPO44
180	AH5	REQ1#/GPIO40
181	AF6	AD26/GPIO26
182	AH6	GNT2#/GPO45
183	AG6	INTF#/GPIO33
184	AD9	AD24/GPIO24
185	AE2	AD16/GPIO16
186	AB11	CLKRUN#
187	AE3	AD19/GPIO19
188	AE6	PERR#
189	AD8	CBE2#
190	AB9	DEVSEL#
191	AD5	CBE1#
192	AF3	AD28/GPIO28
193	AJ3	IRDY#
194	AF1	AD20/GPIO20
195	AF5	STOP#

XOR #	Ball No	Pin Name
196	AC3	AD10/GPIO10
197	AE8	FRAME#
198	AD2	AD14/GPIO14
199	AF8	AD18/GPIO18
200	AE1	AD17/GPIO17
201	AD11	SATA_ACT#/GPIO67
202	AC12	REQ3#/CLK_REQ5#/GPIO42
203	AB12	GNT3#/CLK_REQ7#/GPIO46
204	AA20	CLK_REQG#/GPIO65/OSC IN
205	AA18	LDRQ1#/CLK_REQ6#/GPIO49
206	AB18	CLK_REQ1#/FANOUT4/GPIO61
207	AC18	CLK_REQ0#/SATA_IS3#/GPIO60
208	AE22	SDA0/GPIO47
209	AE19	SATA_IS5#/FANIN3/GPIO59
210	AD19	CLK_REQ4#/SATA_IS0#/GPIO64
211	AD22	SCL0/GPIO43
212	AF20	SATA_IS4#/FANOUT3/GPIO55
213	AF19	SPKR/GPIO66
214	AA16	CLK_REQ3#/SATA_IS1#/GPIO63
215	AH21	CLK_REQ2#/FANIN4/GPIO62
216	AJ21	SMARTVOLT2/SHUTDOWN#/GPIO51
217	AB19	SERIRQ/GPIO48
218	AE21	KBRST#/GEVENT1#

XOR #	Ball No	Pin Name
219	AC19	NB_PWRGD
220	AB21	SMARTVOLT1/SATA_IS2#/GPIO50
221	AD21	GA20IN/GEVENT0#
222	AJ26	FC_ADQ1/GPIOD129
223	AJ27	FC_ADQ0/GPIOD128
224	AH24	FC_ADQ3/GPIOD131
225	AH25	FC_ADQ2/GPIOD130
226	AH23	FC_ADQ5/GPIOD133
227	AG23	FC_ADQ4/GPIOD132
228	AG21	FC_ADQ7/GPIOD135
229	AJ22	FC_ADQ6/GPIOD134
230	AF26	FC_FBCLKIN
231	AH22	FC_ADQ9/GPIOD137
232	AF21	FC_ADQ8/GPIOD136
233	AJ25	FC_ADQ13/GPIOD141
234	AJ24	FC_ADQ12/GPIOD140
235	AF23	FC_ADQ11/GPIOD139
236	AJ23	FC_ADQ10/GPIOD138
237	AH26	FC_ADQ15/GPIOD143
238	AG25	FC_ADQ14/GPIOD142
239	AH28	FC_CLK
240	AG28	FC_FBCLKOUT
241	AF28	FC_OE#/GPIOD145
242	AF29	FC_INT1/GPIOD144
243	AG26	FC_WE#/GPIOD148
244	AG29	FC_AVD#/GPIOD146
245	AH27	FC_INT2/GPIOD147
246	AF27	FC_CE1#/GPIOD149
247	AE29	FC_CE2#/GPIOD150

8.2.2.1 Unused Pins

The pins that are part of the XOR chain (see Table 67) but are not used for testing must be pulled-up or down before the XOR chain is activated. No pins in the XOR chain should be left floating. All digital or analog pins not included in Table 67 are not part of the XOR chain and can be left floating during an XOR test. That includes the output of the XOR chain, FANOUT0/GPIO3, and other pads shown in Table 68 below.

Table 68. Signals that are not part of the XOR chain

Ball No	Pin Name	Description
L25	14M_25M_48M_OSC	No test support
W5	FANOUT0/GPIO52	XOR chang output pin
AE29	FC_CE2#/GPIOD150	-
H5	PWR_GOOD	Used for capturing straps
G1	RSMRST#	Used for capturing straps
D2	RTCCLK	No test support
F1	SLP_S3#	In S5 power well. No test support.
H1	SLP_S5#	In S5 power well. No test support.
B3	TEST0	Test controller data input
C4	TEST1/TMS	Test controller mode
F6	TEST2	Test controller data input
A10	USBCLK/14M_25M_48M_OSC	No test support

Appendix A Pin Listing

Table 69. Pin Listing by Interface

System Pin Name	Ball No.	System Pin Name	Ball No.	System Pin Name	Ball No.
CPU Interface		A_TX1N	AC29	NC4	W23
ALLOW_LDTSTP/ DMA_ACTIVE#	G21	A_TX2P	AB29	NC3	V24
LDT_PG	K19	A_TX2N	AB28	NC5	W24
LDT_STP#	G22	A_TX3P	AB26	NC6	W25
LDT_RST#	J24	A_TX3N	AB27	PCI 33 Interface	
PROCHOT#	H21	A_RX0P	AE24	PCICLK0	W2
LPC Interface		A_RX0N	AE23	PCICLK1/GPO36	W1
LPCCLK0	H24	A_RX1P	AD25	PCICLK2/GPO37	W3
LPCCLK1	H25	A_RX1N	AD24	PCICLK3/GPO38	W4
LAD0	J27	A_RX2P	AC24	PCICLK4/14M_OSC/ GPO39	Y1
LAD1	J26	A_RX2N	AC25	A_RST#	L1
LAD2	H29	A_RX3P	AB25	PCIE_RST#	P1
LAD3	H28	A_RX3N	AB24	PCIRST#	V2
LFRAME#	G28	PCIE_CALRP	AD29	INTE#/GPIO32	AJ6
LDRQ0#	J25	PCIE_CALRN	AD28	INTF#/GPIO33	AG6
LDRQ1#/CLK_REQ6#/ GPIO49	AA18	GPP_TX0P	AA28	INTG#/GPIO34	AG4
LPC_SMI#/GEVENT23#	J29	GPP_TX0N	AA29	INTH#/GPIO35	AJ4
SERIRQ/GPIO48	AB19	GPP_TX1P	Y29	AD0/GPIO0	AA1
PCI Express® Interface		GPP_TX1N	Y28	AD1/GPIO1	AA4
PCIE_RCLKP/ NB_LNK_CLKP	M23	NC9	Y26	AD2/GPIO2	AA3
PCIE_RCLKN/ NB_LNK_CLKN	P23	NC10	Y27	AD3/GPIO3	AB1
A_TX0P	AD26	NC7	W28	AD4/GPIO4	AA5
A_TX0N	AD27	NC8	W29	AD5/GPIO5	AB2
A_TX1P	AC28	GPP_RX0P	AA22	AD6/GPIO6	AB6
		GPP_RX0N	Y21	AD7/GPIO7	AB5
		GPP_RX1P	AA25	AD8/GPIO8	AA6
		GPP_RX1N	AA24	AD9/GPIO9	AC2

System Pin Name	Ball No.
AD10/GPIO10	AC3
AD11/GPIO11	AC4
AD12/GPIO12	AC1
AD13/GPIO13	AD1
AD14/GPIO14	AD2
AD15/GPIO15	AC6
AD16/GPIO16	AE2
AD17/GPIO17	AE1
AD18/GPIO18	AF8
AD19/GPIO19	AE3
AD20/GPIO20	AF1
AD21/GPIO21	AG1
AD22/GPIO22	AF2
AD23/GPIO23	AE9
AD24/GPIO24	AD9
AD25/GPIO25	AC11
AD26/GPIO26	AF6
AD27/GPIO27	AF4
AD28/GPIO28	AF3
AD29/GPIO29	AH2
AD30/GPIO30	AG2
AD31/GPIO31	AH3
CBE0#	AA8
CBE1#	AD5
CBE2#	AD8
CBE3#	AA10
FRAME#	AE8
DEVSEL#	AB9
IRDY#	AJ3
TRDY#	AE7
PAR	AC5

System Pin Name	Ball No.
STOP#	AF5
PERR#	AE6
SERR#	AE4
LOCK#	AD7
REQ0#	AE11
REQ1#/GPIO40	AH5
REQ2#/CLK_REQ8#/ GPIO41	AH4
REQ3#/CLK_REQ5#/ GPIO42	AC12
GNT0#	AD12
GNT1#/GPO44	AJ5
GNT2#/GPO45	AH6
GNT3#/CLK_REQ7#/ GPIO46	AB12
CLKRUN#	AB11
USB Interface	
USB_FSD1P/GPIO186	J10
USB_FSD1N	H11
USB_FSD0P/GPIO185	H9
USB_FSD0N	J8
USB_HSD13P	B12
USB_HSD13N	A12
USB_HSD12P	F11
USB_HSD12N	E11
USB_HSD11P	E14
USB_HSD11N	E12
USB_HSD10P	J12
USB_HSD10N	J14
USB_HSD9P	A13
USB_HSD9N	B13

System Pin Name	Ball No.
USB_HSD8P	D13
USB_HSD8N	C13
USB_HSD7P	G12
USB_HSD7N	G14
USB_HSD6P	G16
USB_HSD6N	G18
USB_HSD5P	D16
USB_HSD5N	C16
USB_HSD4P	B14
USB_HSD4N	A14
USB_HSD3P	E18
USB_HSD3N	E16
USB_HSD2P	J16
USB_HSD2N	J18
USB_HSD1P	B17
USB_HSD1N	A17
USB_HSD0P	A16
USB_HSD0N	B16
USBCLK/ 14M_25M_48M_OSC	A10
USB_RCOMP	G19
Flash Memory Note: Flash controller function is not supported by the SB820M	
FC_RST#/GPO160	G29
FC_CLK	AH28
FC_FBCLKOUT	AG28
FC_FBCLKIN	AF26
FC_ADQ0/GPIOD128	AJ27
FC_ADQ1/GPIOD129	AJ26
FC_ADQ2/GPIOD130	AH25
FC_ADQ3/GPIOD131	AH24

System Pin Name	Ball No.
FC_ADQ4/GPIOD132	AG23
FC_ADQ5/GPIOD133	AH23
FC_ADQ6/GPIOD134	AJ22
FC_ADQ7/GPIOD135	AG21
FC_ADQ8/GPIOD136	AF21
FC_ADQ9/GPIOD137	AH22
FC_ADQ10/GPIOD138	AJ23
FC_ADQ11/GPIOD139	AF23
FC_ADQ12/GPIOD140	AJ24
FC_ADQ13/GPIOD141	AJ25
FC_ADQ14/GPIOD142	AG25
FC_ADQ15/GPIOD143	AH26
FC_INT1/GPIOD144	AF29
FC_OE#/GPIOD145	AF28
FC_AVD#/GPIOD146	AG29
FC_INT2/GPIOD147	AH27
FC_WE#/GPIOD148	AG26
FC_CE1#/GPIOD149	AF27
FC_CE2#/GPIOD150	AE29
Serial ATA	
SATA_TX0P	AH9
SATA_TX0N	AJ9
SATA_RX0N	AJ8
SATA_RX0P	AH8
SATA_TX1P	AH10
SATA_TX1N	AJ10
SATA_RX1N	AG10
SATA_RX1P	AF10
SATA_TX2P	AG12
SATA_TX2N	AF12
SATA_RX2N	AJ12

System Pin Name	Ball No.
SATA_RX2P	AH12
SATA_TX3P	AH14
SATA_TX3N	AJ14
SATA_RX3N	AG14
SATA_RX3P	AF14
SATA_TX4P	AG17
SATA_TX4N	AF17
SATA_RX4N	AJ17
SATA_RX4P	AH17
SATA_TX5P	AJ18
SATA_TX5N	AH18
SATA_RX5N	AH19
SATA_RX5P	AJ19
SATA_CALRP	AB14
SATA_CALRN	AA14
SATA_X1	AD16
SATA_X2	AC16
SATA_ACT#/GPIO67	AD11
CLK_REQ4#/SATA_IS0#/GPIO64	AD19
CLK_REQ3#/SATA_IS1#/GPIO63	AA16
SMARTVOLT1/SATA_IS2#/GPIO50	AB21
CLK_REQ0#/SATA_IS3#/GPIO60	AC18
SATA_IS4#/FANOUT3/GPIO55	AF20
SATA_IS5#/FANIN3/GPIO59	AE19
HD Audio Interface	
AZ_BITCLK	M3
AZ_SDOUT	N1

System Pin Name	Ball No.
AZ_SYNC	N2
AZ_RST#	P2
AZ_SDIN0/GPIO167	L2
AZ_SDIN1/GPIO168	M2
AZ_SDIN2/GPIO169	M1
AZ_SDIN3/GPIO170	M4
Real Time Clock	
32K_X1	C1
32K_X2	C2
VDDBT_RTC_G	B1
RTCCLK	D2
INTRUDER_ALERT#	B2
Clock Generator	
25M_X1	L26
25M_X2	L27
USBCLK/ 14M_25M_48M_OSC	A10
14M_25M_48M_OSC	L25
PCICLK4/14M_OSC/ GPO39	Y1
PCIE_RCLKP/ NB_LNK_CLKP	M23
PCIE_RCLKN/ NB_LNK_CLKN	P23
NB_DISP_CLKP	U29
NB_DISP_CLKN	U28
NB_HT_CLKP	T26
NB_HT_CLKN	T27
CPU_HT_CLKP	V21
CPU_HT_CLKN	T21

System Pin Name	Ball No.
SLT_GFX_CLKP	V23
SLT_GFX_CLKN	T23
GPP_CLK0P	L29
GPP_CLK0N	L28
GPP_CLK1P	N29
GPP_CLK1N	N28
GPP_CLK2P	M29
GPP_CLK2N	M28
GPP_CLK3P	T25
GPP_CLK3N	V25
GPP_CLK4P	L24
GPP_CLK4N	L23
GPP_CLK5P	P25
GPP_CLK5N	M25
GPP_CLK6P	P29
GPP_CLK6N	P28
GPP_CLK7P	N26
GPP_CLK7N	N27
GPP_CLK8P	T29
GPP_CLK8N	T28
CLK_REQ0#/SATA_IS3#/GPIO60	AC18
CLK_REQ1#/FANOUT4/GPIO61	AB18
CLK_REQ2#/FANIN4/GPIO62	AH21
CLK_REQ3#/SATA_IS1#/GPIO63	AA16
CLK_REQ4#/SATA_IS0#/GPIO64	AD19
REQ3#/CLK_REQ5#/GPIO42	AC12
LDRQ1#/CLK_REQ6#/	AA18

System Pin Name	Ball No.
GPIO49	
GNT3#/CLK_REQ7#/GPIO46	AB12
REQ2#/CLK_REQ8#/GPIO41	AH4
CLK_REQG#/GPIO65/OSCIN/IDLEEXIT#	AA20
Hardware Monitor	
Note: Hardware monitor functionality is not supported by the SB820M	
FANOUT0/GPIO52	W5
FANOUT1/GPIO53	W6
FANOUT2/GPIO54	Y9
SATA_IS4#/FANOUT3/GPIO55	AF20
CLK_REQ1#/FANOUT4/GPIO61	AB18
FANIN0/GPIO56	W7
FANIN1/GPIO57	V9
FANIN2/GPIO58	W8
SATA_IS5#/FANIN3/GPIO59	AE19
CLK_REQ2#/FANIN4/GPIO62	AH21
TEMP_COMM	C7
TEMPIN0/GPIO171	B6
TEMPIN1/GPIO172	A6
TEMPIN2/GPIO173	A5
TEMPIN3/TALERT#/GPIO174	B5
VIN0/GPIO175	A3
VIN1/GPIO176	B4
VIN2/GPIO177	A4
VIN3/GPIO178	C5

System Pin Name	Ball No.
VIN4/GPIO179	A7
VIN5/GPIO180	B7
VIN6/GBE_STAT3/GPIO181	B8
VIN7/GBE_LED3/GPIO182	A8
VDDAN_33_HWM_S	D6
VSSAN_HWM	D8
SPI ROM Interface	
SPI_CLK/GPIO162	K4
SPI_DO/GPIO163	E2
SPI_DI/GPIO164	J5
SPI_CS1#/GPIO165	K9
SPI_CS2#/GBE_STAT2/GPIO166	F21
SPI_CS3#/GBE_STAT1/GEVENT21#	D3
NB / Power Management	
SLP_S3#	F1
SLP_S5#	H1
PWR_BTN#	F2
PWR_GOOD	H5
NB_PWRGD	AC19
SUS_STAT#	G6
RSMRST#	G1
SYS_RESET#/GEVENT19#	J1
Keyboard and PS/2 Controller	
Note: KB and PS/2 controller function is not supported by the SB820M	
PS2_DAT/SDA4/GPIO187	E23
PS2_CLK/SCL4/GPIO188	E24

System Pin Name	Ball No.
PS2KB_DAT/GPIO189	D27
PS2KB_CLK/GPIO190	F28
PS2M_DAT/GPIO191	F29
PS2M_CLK/GPIO192	E27
EC_PWM0/EC_TIMER0/GPIO197	F25
EC_PWM1/EC_TIMER1/GPIO198	E22
EC_PWM2/EC_TIMER2/GPIO199	F22
EC_PWM3/EC_TIMER3/GPIO200	E21
KSI_0/GPIO201	G24
KSI_1/GPIO202	G25
KSI_2/GPIO203	E28
KSI_3/GPIO204	E29
KSI_4/GPIO205	D29
KSI_5/GPIO206	D28
KSI_6/GPIO207	C29
KSI_7/GPIO208	C28
KSO_0/GPIO209	B28
KSO_1/GPIO210	A27
KSO_2/GPIO211	B27
KSO_3/GPIO212	D26
KSO_4/GPIO213	A26
KSO_5/GPIO214	C26
KSO_6/GPIO215	A24
KSO_8/GPIO217	A25
KSO_9/GPIO218	D24
KSO_10/GPIO219	B24
KSO_11/GPIO220	C24
KSO_12/GPIO221	B23

System Pin Name	Ball No.
KSO_13/GPIO222	A23
KSO_14/GPIO223	D22
KSO_15/GPIO224	C22
KSO_16/GPIO225	A22
KSO_17/GPIO226	B22
GbE RGMII/MII & PHY	
Note: GbE controller function is not supported by the SB820M	
GBE_COL	T1
GBE_CRS	T4
GBE_MDCK	L6
GBE_MDIO	L5
GBE_RXCLK	T9
GBE_RXD3	U1
GBE_RXD2	U3
GBE_RXD1	T2
GBE_RXD0	U2
GBE_RXCTL/RXDV	T5
GBE_RXERR	V5
GBE_TXCLK	P5
GBE_TXD3	M5
GBE_TXD2	P9
GBE_TXD1	T7
GBE_TXD0	P7
GBE_TXCTL/TXEN	M7
GBE_PHY_PD	P4
GBE_PHY_RST#	M9
GBE_PHY_INTR	V7
GBE_LED0/GPIO183	D5
GBE_LED1/GEVENT9#	D7
GBE_LED2/GEVENT10#	G5

System Pin Name	Ball No.
VIN7/GBE_LED3/GPIO182	A8
GBE_STAT0/GEVENT11#	K3
SPI_CS3#/GBE_STAT1/GEVENT21#	D3
SPI_CS2#/GBE_STAT2/GPIO166	F21
VIN6/GBE_STAT3/GPIO181	B8
General Events	
GA20IN/GEVENT0#	AD21
KBRST#/GEVENT1#	AE21
THRMTRIP#/SMBALERT#/GEVENT2#	J6
LPC_PME#/GEVENT3#	K2
PCI_PME#/GEVENT4#	J2
GEVENT5#	H2
USB_OC6#/IR_TX1/GEVENT6#	D1
DDR3_RST#/GEVENT7#	H4
WAKE#/GEVENT8#	H6
GBE_LED1/GEVENT9#	D7
GBE_LED2/GEVENT10#	G5
GBE_STAT0/GEVENT11#	K3
USB_OC0#/TRST#/GEVENT12#	F8
USB_OC1#/TDI/GEVENT13#	E7
USB_OC2#/TCK/GEVENT14#	F7
USB_OC3#/AC_PRES/TDO/GEVENT15#	E8

System Pin Name	Ball No.
USB_OC4#/IR_RX0/ GEVENT16#	D4
USB_OC5#/IR_TX0/ GEVENT17#	E4
BLINK/USB_OC7#/ GEVENT18#	H3
SYS_RESET#/ GEVENT19#	J1
IR_RX1/GEVENT20#	F3
SPI_CS3#/GBE_STAT1/ GEVENT21#	D3
RI#/GEVENT22#	K1
LPC_SMI#/GEVENT23#	J29
SM Bus	
SCL0/GPIO43	AD22
SDA0/GPIO47	AE22
SCL1/GPIO227	F5
SDA1/GPIO228	F4
SCL2/GPIO193	D25
SDA2/GPIO194	F23
SCL3_LV/GPIO195	B26
SDA3_LV/GPIO196	E26
PS2_DAT/SDA4/ GPIO187	E23
PS2_CLK/SCL4/ GPIO188	E24
S0-Domain General Purpose I/O	
AD0/GPIO0	AA1
AD1/GPIO1	AA4
AD2/GPIO2	AA3
AD3/GPIO3	AB1
AD4/GPIO4	AA5
AD5/GPIO5	AB2

System Pin Name	Ball No.
AD6/GPIO6	AB6
AD7/GPIO7	AB5
AD8/GPIO8	AA6
AD9/GPIO9	AC2
AD10/GPIO10	AC3
AD11/GPIO11	AC4
AD12/GPIO12	AC1
AD13/GPIO13	AD1
AD14/GPIO14	AD2
AD15/GPIO15	AC6
AD16/GPIO16	AE2
AD17/GPIO17	AE1
AD18/GPIO18	AF8
AD19/GPIO19	AE3
AD20/GPIO20	AF1
AD21/GPIO21	AG1
AD22/GPIO22	AF2
AD23/GPIO23	AE9
AD24/GPIO24	AD9
AD25/GPIO25	AC11
AD26/GPIO26	AF6
AD27/GPIO27	AF4
AD28/GPIO28	AF3
AD29/GPIO29	AH2
AD30/GPIO30	AG2
AD31/GPIO31	AH3
INTE#/GPIO32	AJ6
INTF#/GPIO33	AG6
INTG#/GPIO34	AG4
INTH#/GPIO35	AJ4
PCICLK1/GPO36	W1

System Pin Name	Ball No.
PCICLK2/GPO37	W3
PCICLK3/GPO38	W4
PCICLK4/14M_OSC/ GPO39	Y1
REQ1#/GPIO40	AH5
REQ2#/CLK_REQ8#/ GPIO41	AH4
REQ3#/CLK_REQ5#/ GPIO42	AC12
SCL0/GPIO43	AD22
GNT1#/GPO44	AJ5
GNT2#/GPO45	AH6
GNT3#/CLK_REQ7#/GP IO46	AB12
SDA0/GPIO47	AE22
SERIRQ/GPIO48	AB19
LDRQ1#/CLK_REQ6#/ GPIO49	AA18
SMARTVOLT1/ SATA_IS2#/GPIO50	AB21
SMARTVOLT2/ SHUTDOWN#/GPIO51	AJ21
FANOUT0/GPIO52	W5
FANOUT1/GPIO53	W6
FANOUT2/GPIO54	Y9
SATA_IS4#/FANOUT3/ GPIO55	AF20
FANIN0/GPIO56	W7
FANIN1/GPIO57	V9
FANIN2/GPIO58	W8
SATA_IS5#/FANIN3/ GPIO59	AE19
CLK_REQ0#/ SATA_IS3#/GPIO60	AC18
CLK_REQ1#/FANOUT4/	AB18

System Pin Name	Ball No.
GPIO61	
CLK_REQ2#/FANIN4/ GPIO62	AH21
CLK_REQ3#/ SATA_IS1#/GPIO63	AA16
CLK_REQ4#/ SATA_IS0#/GPIO64	AD19
CLK_REQG#/ GPIO65/OSCIN/ IDLEEXT#	AA20
SPKR/GPIO66	AF19
SATA_ACT#/GPIO67	AD11
S5-Domain General Purpose I/O	
FC_RST#/GPO160	G29
ROM_RST#/GPIO161	G2
SPI_CLK/GPIO162	K4
SPI_DO/GPIO163	E2
SPI_DI/GPIO164	J5
SPI_CS1#/GPIO165	K9
SPI_CS2#/GBE_STAT2/ GPIO166	F21
AZ_SDIN0/GPIO167	L2
AZ_SDIN1/GPIO168	M2
AZ_SDIN2/GPIO169	M1
AZ_SDIN3/GPIO170	M4
TEMPIN0/GPIO171	B6
TEMPIN1/GPIO172	A6
TEMPIN2/GPIO173	A5
TEMPIN3/TALERT#/ GPIO174	B5
VIN0/GPIO175	A3
VIN1/GPIO176	B4
VIN2/GPIO177	A4

System Pin Name	Ball No.
VIN3/GPIO178	C5
VIN4/GPIO179	A7
VIN5/GPIO180	B7
VIN6/GBE_STAT3/ GPIO181	B8
VIN7/GBE_LED3/ GPIO182	A8
GBE_LED0/GPIO183	D5
IR_LED#/LLB#/ GPIO184	E1
USB_FSD0P/GPIO185	H9
USB_FSD1P/GPIO186	J10
PS2_DAT/SDA4/ GPIO187	E23
PS2_CLK/SCL4/ GPIO188	E24
PS2KB_DAT/GPIO189	D27
PS2KB_CLK/GPIO190	F28
PS2M_DAT/GPIO191	F29
PS2M_CLK/GPIO192	E27
SCL2/GPIO193	D25
SDA2/GPIO194	F23
SCL3_LV/GPIO195	B26
SDA3_LV/GPIO196	E26
EC_PWM0/EC_TIMER0/ GPIO197	F25
EC_PWM1/EC_TIMER1/ GPIO198	E22
EC_PWM2/EC_TIMER2/ GPIO199	F22
EC_PWM3/EC_TIMER3/ GPIO200	E21
KSI_0/GPIO201	G24
KSI_1/GPIO202	G25

System Pin Name	Ball No.
KSI_2/GPIO203	E28
KSI_3/GPIO204	E29
KSI_4/GPIO205	D29
KSI_5/GPIO206	D28
KSI_6/GPIO207	C29
KSI_7/GPIO208	C28
KSO_0/GPIO209	B28
KSO_1/GPIO210	A27
KSO_2/GPIO211	B27
KSO_3/GPIO212	D26
KSO_4/GPIO213	A26
KSO_5/GPIO214	C26
KSO_6/GPIO215	A24
KSO_7/GPIO216	B25
KSO_8/GPIO217	A25
KSO_9/GPIO218	D24
KSO_10/GPIO219	B24
KSO_11/GPIO220	C24
KSO_12/GPIO221	B23
KSO_13/GPIO222	A23
KSO_14/GPIO223	D22
KSO_15/GPIO224	C22
KSO_16/GPIO225	A22
KSO_17/GPIO226	B22
SCL1/GPIO227	F5
SDA1/GPIO228	F4
General Purpose I/O	
FC_ADQ0/GPIOD128	AJ27
FC_ADQ1/GPIOD129	AJ26
FC_ADQ2/GPIOD130	AH25
FC_ADQ3/GPIOD131	AH24

System Pin Name	Ball No.
FC_ADQ4/GPIOD132	AG23
FC_ADQ5/GPIOD133	AH23
FC_ADQ6/GPIOD134	AJ22
FC_ADQ7/GPIOD135	AG21
FC_ADQ8/GPIOD136	AF21
FC_ADQ9/GPIOD137	AH22
FC_ADQ10/GPIOD138	AJ23
FC_ADQ11/GPIOD139	AF23
FC_ADQ12/GPIOD140	AJ24
FC_ADQ13/GPIOD141	AJ25
FC_ADQ14/GPIOD142	AG25
FC_ADQ15/GPIOD143	AH26
FC_INT1/GPIOD144	AF29
FC_OE#/GPIOD145	AF28
FC_AVD#/GPIOD146	AG29
FC_INT2/GPIOD147	AH27
FC_WE#/GPIOD148	AG26
FC_CE1#/GPIOD149	AF27
FC_CE2#/GPIOD150	AE29
No Connects	
NC1	G27
NC2	Y2
Test/JTAG	
TEST0	B3
TEST1/TMS	C4
TEST2	F6
EFUSE	Y4
USB_OC0#/TRST#/GEVENT12#	F8
USB_OC1#/TDI/GEVENT13#	E7

System Pin Name	Ball No.
USB_OC2#/TCK/GEVENT14#	F7
USB_OC3#/AC_PRESENT/GEVENT15#	E8
CLKGEN and Special Power	
VDDXL_33_S	L20
VSSXL	M19
VDDPL_33_SYS	M21
VDDPL_11_SYS_S	L22
VSSPL_SYS	M20
VDDAN_11_CLK_1	K28
VDDAN_11_CLK_2	K29
VDDAN_11_CLK_3	J28
VDDAN_11_CLK_4	K26
VDDAN_11_CLK_5	J21
VDDAN_11_CLK_6	J20
VDDAN_11_CLK_7	K21
VDDAN_11_CLK_8	J22
USB Power	
VDDAN_33_USB_S_1	A18
VDDAN_33_USB_S_2	A19
VDDAN_33_USB_S_3	A20
VDDAN_33_USB_S_4	B18
VDDAN_33_USB_S_5	B19
VDDAN_33_USB_S_6	B20
VDDAN_33_USB_S_7	C18
VDDAN_33_USB_S_8	C20
VDDAN_33_USB_S_9	D18
VDDAN_33_USB_S_10	D19
VDDAN_33_USB_S_11	D20
VDDAN_33_USB_S_12	E19

System Pin Name	Ball No.
VDDPL_33_USB_S	F19
VDDCR_11_USB_S_1	A11
VDDCR_11_USB_S_2	B11
VDDAN_11_USB_S_1	C11
VDDAN_11_USB_S_2	D11
USB Analog GND	
VSSIO_USB_1	A9
VSSIO_USB_2	B10
VSSIO_USB_3	K11
VSSIO_USB_4	B9
VSSIO_USB_5	D10
VSSIO_USB_6	D12
VSSIO_USB_7	D14
VSSIO_USB_8	D17
VSSIO_USB_9	E9
VSSIO_USB_10	F9
VSSIO_USB_11	F12
VSSIO_USB_12	F14
VSSIO_USB_13	F16
VSSIO_USB_14	C9
VSSIO_USB_15	G11
VSSIO_USB_16	F18
VSSIO_USB_17	D9
VSSIO_USB_18	H12
VSSIO_USB_19	H14
VSSIO_USB_20	H16
VSSIO_USB_21	H18
VSSIO_USB_22	J11
VSSIO_USB_23	J19
VSSIO_USB_24	K12
VSSIO_USB_25	K14

System Pin Name	Ball No.
VSSIO_USB_26	K16
VSSIO_USB_27	K18
VSSIO_USB_28	H19
PCI Express® Analog Power	
VDDPL_33_PCIE	AE28
VDDAN_11_PCIE_1	U26
VDDAN_11_PCIE_2	V22
VDDAN_11_PCIE_3	V26
VDDAN_11_PCIE_4	V27
VDDAN_11_PCIE_5	V28
VDDAN_11_PCIE_6	V29
VDDAN_11_PCIE_7	W22
VDDAN_11_PCIE_8	W26
PCI-E & CLKGEN Analog Ground	
VSSIO_PCIECLK_1	P21
VSSIO_PCIECLK_2	P20
VSSIO_PCIECLK_3	M22
VSSIO_PCIECLK_4	M24
VSSIO_PCIECLK_5	M26
VSSIO_PCIECLK_6	P22
VSSIO_PCIECLK_7	P24
VSSIO_PCIECLK_8	P26
VSSIO_PCIECLK_9	T20
VSSIO_PCIECLK_10	T22
VSSIO_PCIECLK_11	T24
VSSIO_PCIECLK_12	V20
VSSIO_PCIECLK_13	J23
VSSIO_PCIECLK_14	H23
VSSIO_PCIECLK_15	H26
VSSIO_PCIECLK_16	AA21

System Pin Name	Ball No.
VSSIO_PCIECLK_17	AA23
VSSIO_PCIECLK_18	AB23
VSSIO_PCIECLK_19	AD23
VSSIO_PCIECLK_20	AA26
VSSIO_PCIECLK_21	AC26
VSSIO_PCIECLK_22	Y20
VSSIO_PCIECLK_23	W21
VSSIO_PCIECLK_24	W20
VSSIO_PCIECLK_25	AE26
VSSIO_PCIECLK_26	L21
VSSIO_PCIECLK_27	K20
Serial ATA Analog Power	
VDDAN_11_SATA_1	AJ20
VDDAN_11_SATA_2	AH20
VDDAN_11_SATA_3	AG19
VDDAN_11_SATA_4	AF18
VDDAN_11_SATA_5	AE18
VDDAN_11_SATA_6	AD18
VDDAN_11_SATA_7	AE16
VDDPL_33_SATA	AD14
Serial ATA Analog Ground	
VSSIO_SATA_1	Y14
VSSIO_SATA_2	Y16
VSSIO_SATA_3	AB16
VSSIO_SATA_4	AC14
VSSIO_SATA_5	AE12
VSSIO_SATA_6	AE14
VSSIO_SATA_7	AF9
VSSIO_SATA_8	AF11
VSSIO_SATA_9	AF13
VSSIO_SATA_10	AF16

System Pin Name	Ball No.
VSSIO_SATA_11	AG8
VSSIO_SATA_12	AH7
VSSIO_SATA_13	AH11
VSSIO_SATA_14	AH13
VSSIO_SATA_15	AH16
VSSIO_SATA_16	AJ7
VSSIO_SATA_17	AJ11
VSSIO_SATA_18	AJ13
VSSIO_SATA_19	AJ16
Core Power	
VDDCR_11_1	N13
VDDCR_11_2	R15
VDDCR_11_3	N17
VDDCR_11_4	U13
VDDCR_11_5	U17
VDDCR_11_6	V12
VDDCR_11_7	V18
VDDCR_11_8	W12
VDDCR_11_9	W18
3.3V I/O Power	
VDDIO_33_PCIGP_1	AH1
VDDIO_33_PCIGP_2	V6
VDDIO_33_PCIGP_3	Y19
VDDIO_33_PCIGP_4	AE5
VDDIO_33_PCIGP_5	AC21
VDDIO_33_PCIGP_6	AA2
VDDIO_33_PCIGP_7	AB4
VDDIO_33_PCIGP_8	AC8
VDDIO_33_PCIGP_9	AA7
VDDIO_33_PCIGP_10	AA9
VDDIO_33_PCIGP_11	AF7

System Pin Name	Ball No.
VDDIO_33_PCIGP_12	AA19
IDE I/O Power	
VDDIO_18_FC_1	AF22
VDDIO_18_FC_2	AE25
VDDIO_18_FC_3	AF24
VDDIO_18_FC_4	AC22
HD Audio Power	
VDDIO_AZ_S	M8
RGMII/MII Power	
VDDIO_GBE_S_1	M6
VDDIO_GBE_S_2	P8
VDDIO_33_GBE_S	M10
VDDRF_GBE_S	V1
VDDCR_11_GBE_S_1	L7
VDDCR_11_GBE_S_2	L9
3.3V Standby Power	
VDDIO_33_S_1	A21
VDDIO_33_S_2	D21
VDDIO_33_S_3	B21
VDDIO_33_S_4	K10
VDDIO_33_S_5	L10
VDDIO_33_S_6	J9
VDDIO_33_S_7	T6
VDDIO_33_S_8	T8
1.1V Standby Power	
VDDCR_11_S_1	F26
VDDCR_11_S_2	G26

System Pin Name	Ball No.
Digital Ground	
VSS_1	AJ2
VSS_2	A28
VSS_3	A2
VSS_4	E5
VSS_5	D23
VSS_6	E25
VSS_7	E6
VSS_8	F24
VSS_9	N15
VSS_10	R13
VSS_11	R17
VSS_12	T10
VSS_13	P10
VSS_14	V11
VSS_15	U15
VSS_16	M18
VSS_17	V19
VSS_18	M11
VSS_19	L12
VSS_20	L18
VSS_21	J7
VSS_22	P3
VSS_23	V4
VSS_24	AD6
VSS_25	AD4
VSS_26	AB7

System Pin Name	Ball No.
VSS_27	AC9
VSS_28	V8
VSS_29	W9
VSS_30	W10
VSS_31	AJ28
VSS_32	B29
VSS_33	U4
VSS_34	Y18
VSS_35	Y10
VSS_36	Y12
VSS_37	Y11
VSS_38	AA11
VSS_39	AA12
VSS_40	G4
VSS_41	J4
VSS_42	G8
VSS_43	G9
VSS_44	M12
VSS_45	AF25
VSS_46	H7
VSS_47	AH29
VSS_48	V10
VSS_49	P6
VSS_50	N4
VSS_51	L4
VSS_52	L8

Table 70. Pin List by Signal Name

System Pin Name	Ball No.	System Pin Name	Ball No.	System Pin Name	Ball No.
14M_25M_48M_OSC	L25	AD20/GPIO20	AF1	CLK_REQ0#/ SATA_IS3#/GPIO60	AC18
25M_X1	L26	AD21/GPIO21	AG1	CLK_REQ1#/ FANOUT4/GPIO61	AB18
25M_X2	L27	AD22/GPIO22	AF2	CLK_REQ2#/ FANIN4/ GPIO62	AH21
32K_X1	C1	AD23/GPIO23	AE9	CLK_REQ3#/ SATA_IS1#/GPIO63	AA16
32K_X2	C2	AD24/GPIO24	AD9	CLK_REQ4#/ SATA_IS0#/GPIO64	AD19
A_RST#	L1	AD25/GPIO25	AC11	CLK_REQG#/ GPIO65/ OSCIN/IDLEEXT#	AA20
A_RX0N	AE23	AD26/GPIO26	AF6	CLKRUN#	AB11
A_RX0P	AE24	AD27/GPIO27	AF4	CPU_HT_CLKN	T21
A_RX1N	AD24	AD28/GPIO28	AF3	CPU_HT_CLKP	V21
A_RX1P	AD25	AD29/GPIO29	AH2	DDR3_RST#/ GEVENT7#	H4
A_RX2N	AC25	AD3/GPIO3	AB1	DEVSEL#	AB9
A_RX2P	AC24	AD30/GPIO30	AG2	EC_PWM0/ EC_TIME R0/GPIO197	F25
A_RX3N	AB24	AD31/GPIO31	AH3	EC_PWM1/ EC_TIME R1/GPIO198	E22
A_RX3P	AB25	AD4/GPIO4	AA5	EC_PWM2/ EC_TIME R2/GPIO199	F22
A_TX0N	AD27	AD5/GPIO5	AB2	EC_PWM3/ EC_TIME R3/GPIO200	E21
A_TX0P	AD26	AD6/GPIO6	AB6	EFUSE	Y4
A_TX1N	AC29	AD7/GPIO7	AB5	FANIN0/GPIO56	W7
A_TX1P	AC28	AD8/GPIO8	AA6	FANIN1/GPIO57	V9
A_TX2N	AB28	AD9/GPIO9	AC2	FANIN2/GPIO58	W8
A_TX2P	AB29	ALLOW_LDTSTP/ DMA_ACTIVE#	G21	FANOUT0/GPIO52	W5
A_TX3N	AB27	AZ_BITCLK	M3	FANOUT1/GPIO53	W6
A_TX3P	AB26	AZ_RST#	P2	FANOUT2/GPIO54	Y9
AD0/GPIO0	AA1	AZ_SDIN0/GPIO167	L2	FC_ADQ0/GPIOD128	AJ27
AD1/GPIO1	AA4	AZ_SDIN1/GPIO168	M2	FC_ADQ1/GPIOD129	AJ26
AD10/GPIO10	AC3	AZ_SDIN2/GPIO169	M1	FC_ADQ10/ GPIOD138	AJ23
AD11/GPIO11	AC4	AZ_SDIN3/GPIO170	M4	FC_ADQ11/ GPIOD138	AF23
AD12/GPIO12	AC1	AZ_SDOUT	N1		
AD13/GPIO13	AD1	AZ_SYNC	N2		
AD14/GPIO14	AD2	BLINK/USB_OC7#/ GEVENT18#	H3		
AD15/GPIO15	AC6	CBE0#	AA8		
AD16/GPIO16	AE2	CBE1#	AD5		
AD17/GPIO17	AE1	CBE2#	AD8		
AD18/GPIO18	AF8	CBE3#	AA10		
AD19/GPIO19	AE3				
AD2/GPIO2	AA3				

System Pin Name	Ball No.
GPIOD139	
FC_ADQ12/ GPIOD140	AJ24
FC_ADQ13/ GPIOD141	AJ25
FC_ADQ14/ GPIOD142	AG25
FC_ADQ15/ GPIOD143	AH26
FC_ADQ2/GPIOD130	AH25
FC_ADQ3/GPIOD131	AH24
FC_ADQ4/GPIOD132	AG23
FC_ADQ5/GPIOD133	AH23
FC_ADQ6/GPIOD134	AJ22
FC_ADQ7/GPIOD135	AG21
FC_ADQ8/GPIOD136	AF21
FC_ADQ9/GPIOD137	AH22
FC_AVQ#/GPIOD146	AG29
FC_CE1#/GPIOD149	AF27
FC_CE2#/GPIOD150	AE29
FC_CLK	AH28
FC_FBCLKIN	AF26
FC_FBCLKOUT	AG28
FC_INT1/GPIOD144	AF29
FC_INT2/GPIOD147	AH27
FC_OE#/GPIOD145	AF28
FC_RST#/GPO160	G29
FC_WE#/GPIOD148	AG26
FRAME#	AE8
GA20IN/GEVENT0#	AD21
GBE_COL	T1
GBE_CRS	T4
GBE_LED0/GPIO183	D5
GBE_LED1/ GEVENT9#	D7
GBE_LED2/ GEVENT10#	G5
GBE_MDCK	L6

System Pin Name	Ball No.
GBE_MDIO	L5
GBE_PHY_INTR	V7
GBE_PHY_PD	P4
GBE_PHY_RST#	M9
GBE_RXCLK	T9
GBE_RXCTL/RXDV	T5
GBE_RXD0	U2
GBE_RXD1	T2
GBE_RXD2	U3
GBE_RXD3	U1
GBE_RXERR	V5
GBE_STAT0/ GEVENT11#	K3
GBE_TXCLK	P5
GBE_TXCTL/TXEN	M7
GBE_TXD0	P7
GBE_TXD1	T7
GBE_TXD2	P9
GBE_TXD3	M5
GEVENT5#	H2
GNT0#	AD12
GNT1#/GPO44	AJ5
GNT2#/GPO45	AH6
GNT3#/CLK_REQ7#/ GPIO46	AB12
GPP_CLK0N	L28
GPP_CLK0P	L29
GPP_CLK1N	N28
GPP_CLK1P	N29
GPP_CLK2N	M28
GPP_CLK2P	M29
GPP_CLK3N	V25
GPP_CLK3P	T25
GPP_CLK4N	L23
GPP_CLK4P	L24
GPP_CLK5N	M25
GPP_CLK5P	P25

System Pin Name	Ball No.
GPP_CLK6N	P28
GPP_CLK6P	P29
GPP_CLK7N	N27
GPP_CLK7P	N26
GPP_CLK8N	T28
GPP_CLK8P	T29
GPP_RX0N	Y21
GPP_RX0P	AA22
GPP_RX1N	AA24
GPP_RX1P	AA25
GPP_TX0N	AA29
GPP_TX0P	AA28
GPP_TX1N	Y28
GPP_TX1P	Y29
INTE#/GPIO32	AJ6
INTF#/GPIO33	AG6
INTG#/GPIO34	AG4
INTH#/GPIO35	AJ4
INTRUDER_ALERT#	B2
IR_LED#/LLB#/ GPIO184	E1
IR_RX1/GEVENT20#	F3
IRDY#	AJ3
KBRST#/GEVENT1#	AE21
KSI_0/GPIO201	G24
KSI_1/GPIO202	G25
KSI_2/GPIO203	E28
KSI_3/GPIO204	E29
KSI_4/GPIO205	D29
KSI_5/GPIO206	D28
KSI_6/GPIO207	C29
KSI_7/GPIO208	C28
KSO_0/GPIO209	B28
KSO_1/GPIO210	A27
KSO_10/GPIO219	B24
KSO_11/GPIO220	C24
KSO_12/GPIO221	B23

System Pin Name	Ball No.
KSO_13/GPIO222	A23
KSO_14/GPIO223	D22
KSO_15/GPIO224	C22
KSO_16/GPIO225	A22
KSO_17/GPIO226	B22
KSO_2/GPIO211	B27
KSO_3/GPIO212	D26
KSO_4/GPIO213	A26
KSO_5/GPIO214	C26
KSO_6/GPIO215	A24
KSO_7/GPIO216	B25
KSO_8/GPIO217	A25
KSO_9/GPIO218	D24
LAD0	J27
LAD1	J26
LAD2	H29
LAD3	H28
LDRQ0#	J25
LDRQ1#/CLK_REQ6#/GPIO49	AA18
LDT_PG	K19
LDT_RST#	J24
LDT_STP#	G22
LFRAME#	G28
LOCK#	AD7
LPC_PME#/GEVENT3#	K2
LPC_SMI#/GEVENT23#	J29
LPCCLK0	H24
LPCCLK1	H25
NB_DISP_CLKN	U28
NB_DISP_CLKP	U29
NB_HT_CLKN	T27
NB_HT_CLKP	T26
NB_PWRGD	AC19
NC1	G27

System Pin Name	Ball No.
NC10	Y27
NC2	Y2
NC3	V24
NC4	W23
NC5	W24
NC6	W25
NC7	W28
NC8	W29
NC9	Y26
PAR	AC5
PCI_PME#/GEVENT4#	J2
PCICLK0	W2
PCICLK1/GPO36	W1
PCICLK2/GPO37	W3
PCICLK3/GPO38	W4
PCICLK4/14M_OSC/GPO39	Y1
PCIE_CALRN	AD28
PCIE_CALRP	AD29
PCIE_RCLKN/NB_LNK_CLKN	P23
PCIE_RCLKP/NB_LNK_CLKP	M23
PCIE_RST#	P1
PCIRST#	V2
PERR#	AE6
PROCHOT#	H21
PS2_CLK/SCL4/GPIO188	E24
PS2_DAT/SDA4/GPIO187	E23
PS2KB_CLK/GPIO190	F28
PS2KB_DAT/GPIO189	D27
PS2M_CLK/GPIO192	E27
PS2M_DAT/GPIO191	F29
PWR_BTN#	F2
PWR_GOOD	H5

System Pin Name	Ball No.
REQ0#	AE11
REQ1#/GPIO40	AH5
REQ2#/CLK_REQ8#/GPIO41	AH4
REQ3#/CLK_REQ5#/GPIO42	AC12
RI#/GEVENT22#	K1
ROM_RST#/GPIO161	G2
RSMRST#	G1
RTCCLK	D2
SATA_ACT#/GPIO67	AD11
SATA_CALRN	AA14
SATA_CALRP	AB14
SATA_IS4#/FANOUT3/GPIO55	AF20
SATA_IS5#/FANIN3/GPIO59	AE19
SATA_RX0N	AJ8
SATA_RX0P	AH8
SATA_RX1N	AG10
SATA_RX1P	AF10
SATA_RX2N	AJ12
SATA_RX2P	AH12
SATA_RX3N	AG14
SATA_RX3P	AF14
SATA_RX4N	AJ17
SATA_RX4P	AH17
SATA_RX5N	AH19
SATA_RX5P	AJ19
SATA_TX0N	AJ9
SATA_TX0P	AH9
SATA_TX1N	AJ10
SATA_TX1P	AH10
SATA_TX2N	AF12
SATA_TX2P	AG12
SATA_TX3N	AJ14
SATA_TX3P	AH14

System Pin Name	Ball No.
SATA_TX4N	AF17
SATA_TX4P	AG17
SATA_TX5N	AH18
SATA_TX5P	AJ18
SATA_X1	AD16
SATA_X2	AC16
SCL0/GPIO43	AD22
SCL1/GPIO227	F5
SCL2/GPIO193	D25
SCL3_LV/GPIO195	B26
SDA0/GPIO47	AE22
SDA1/GPIO228	F4
SDA2/GPIO194	F23
SDA3_LV/GPIO196	E26
SERIRQ/GPIO48	AB19
SERR#	AE4
SLP_S3#	F1
SLP_S5#	H1
SLT_GFX_CLKN	T23
SLT_GFX_CLKP	V23
SMARTVOLT1/ SATA_IS2#/GPIO50	AB21
SMARTVOLT2/ SHUTDOWN#/ GPIO51	AJ21
SPI_CLK/GPIO162	K4
SPI_CS1#/GPIO165	K9
SPI_CS2#/GBE_STAT 2/GPIO166	F21
SPI_CS3#/GBE_STAT 1/GEVENT21#	D3
SPI_DI/GPIO164	J5
SPI_DO/GPIO163	E2
SPKR/GPIO66	AF19
STOP#	AF5
SUS_STAT#	G6
SYS_RESET#/ GEVENT19#	J1

System Pin Name	Ball No.
TEMP_COMM	C7
TEMPIN0/GPIO171	B6
TEMPIN1/GPIO172	A6
TEMPIN2/GPIO173	A5
TEMPIN3/TALERT#/ GPIO174	B5
TEST0	B3
TEST1/TMS	C4
TEST2	F6
THRMTRIP#/SMBALE RT#/GEVENT2#	J6
TRDY#	AE7
USB_FSD0N	J8
USB_FSD0P/ GPIO185	H9
USB_FSD1N	H11
USB_FSD1P/ GPIO186	J10
USB_HSD0N	B16
USB_HSD0P	A16
USB_HSD10N	J14
USB_HSD10P	J12
USB_HSD11N	E12
USB_HSD11P	E14
USB_HSD12N	E11
USB_HSD12P	F11
USB_HSD13N	A12
USB_HSD13P	B12
USB_HSD1N	A17
USB_HSD1P	B17
USB_HSD2N	J18
USB_HSD2P	J16
USB_HSD3N	E16
USB_HSD3P	E18
USB_HSD4N	A14
USB_HSD4P	B14
USB_HSD5N	C16

System Pin Name	Ball No.
USB_HSD5P	D16
USB_HSD6N	G18
USB_HSD6P	G16
USB_HSD7N	G14
USB_HSD7P	G12
USB_HSD8N	C13
USB_HSD8P	D13
USB_HSD9N	B13
USB_HSD9P	A13
USB_OC0#/TRST#/ GEVENT12#	F8
USB_OC1#/TDI/GEVE NT13#	E7
USB_OC2#/TCK/GEV ENT14#	F7
USB_OC3#/AC_PRES /TDO/GEVENT15#	E8
USB_OC4#/IR_RX0/ GEVENT16#	D4
USB_OC5#/IR_TX0/ GEVENT17#	E4
USB_OC6#/IR_TX1/ GEVENT6#	D1
USB_RCOMP	G19
USBCLK/ 14M_25M_48M_OSC	A10
VDDAN_11_CLK_1	K28
VDDAN_11_CLK_2	K29
VDDAN_11_CLK_3	J28
VDDAN_11_CLK_4	K26
VDDAN_11_CLK_5	J21
VDDAN_11_CLK_6	J20
VDDAN_11_CLK_7	K21
VDDAN_11_CLK_8	J22
VDDAN_11_PCIE_1	U26
VDDAN_11_PCIE_2	V22
VDDAN_11_PCIE_3	V26
VDDAN_11_PCIE_4	V27

System Pin Name	Ball No.
VDDAN_11_PCIE_5	V28
VDDAN_11_PCIE_6	V29
VDDAN_11_PCIE_7	W22
VDDAN_11_PCIE_8	W26
VDDAN_11_SATA_1	AJ20
VDDAN_11_SATA_2	AH20
VDDAN_11_SATA_3	AG19
VDDAN_11_SATA_4	AF18
VDDAN_11_SATA_5	AE18
VDDAN_11_SATA_6	AD18
VDDAN_11_SATA_7	AE16
VDDAN_11_USB_S_1	C11
VDDAN_11_USB_S_2	D11
VDDAN_33_HWM_S	D6
VDDAN_33_USB_S_1	A18
VDDAN_33_USB_S_1 0	D19
VDDAN_33_USB_S_1 1	D20
VDDAN_33_USB_S_1 2	E19
VDDAN_33_USB_S_2	A19
VDDAN_33_USB_S_3	A20
VDDAN_33_USB_S_4	B18
VDDAN_33_USB_S_5	B19
VDDAN_33_USB_S_6	B20
VDDAN_33_USB_S_7	C18
VDDAN_33_USB_S_8	C20
VDDAN_33_USB_S_9	D18
VDDBT_RTC_G	B1
VDDCR_11_1	N13
VDDCR_11_2	R15
VDDCR_11_3	N17
VDDCR_11_4	U13
VDDCR_11_5	U17
VDDCR_11_6	V12
VDDCR_11_7	V18

System Pin Name	Ball No.
VDDCR_11_8	W12
VDDCR_11_9	W18
VDDCR_11_GBE_S_1	L7
VDDCR_11_GBE_S_2	L9
VDDCR_11_S_1	F26
VDDCR_11_S_2	G26
VDDCR_11_USB_S_1	A11
VDDCR_11_USB_S_2	B11
VDDIO_18_FC_1	AF22
VDDIO_18_FC_2	AE25
VDDIO_18_FC_3	AF24
VDDIO_18_FC_4	AC22
VDDIO_33_GBE_S	M10
VDDIO_33_PCIGP_1	AH1
VDDIO_33_PCIGP_10	AA9
VDDIO_33_PCIGP_11	AF7
VDDIO_33_PCIGP_12	AA19
VDDIO_33_PCIGP_2	V6
VDDIO_33_PCIGP_3	Y19
VDDIO_33_PCIGP_4	AE5
VDDIO_33_PCIGP_5	AC21
VDDIO_33_PCIGP_6	AA2
VDDIO_33_PCIGP_7	AB4
VDDIO_33_PCIGP_8	AC8
VDDIO_33_PCIGP_9	AA7
VDDIO_33_S_1	A21
VDDIO_33_S_2	D21
VDDIO_33_S_3	B21
VDDIO_33_S_4	K10
VDDIO_33_S_5	L10
VDDIO_33_S_6	J9
VDDIO_33_S_7	T6
VDDIO_33_S_8	T8
VDDIO_AZ_S	M8
VDDIO_GBE_S_1	M6
VDDIO_GBE_S_2	P8

System Pin Name	Ball No.
VDDPL_11_SYS_S	L22
VDDPL_33_PCIE	AE28
VDDPL_33_SATA	AD14
VDDPL_33_SYS	M21
VDDPL_33_USB_S	F19
VDDRF_GBE_S	V1
VDDXL_33_S	L20
VIN0/GPIO175	A3
VIN1/GPIO176	B4
VIN2/GPIO177	A4
VIN3/GPIO178	C5
VIN4/GPIO179	A7
VIN5/GPIO180	B7
VIN6/GBE_STAT3/ GPIO181	B8
VIN7/GBE_LED3/ GPIO182	A8
VSS_1	AJ2
VSS_10	R13
VSS_11	R17
VSS_12	T10
VSS_13	P10
VSS_14	V11
VSS_15	U15
VSS_16	M18
VSS_17	V19
VSS_18	M11
VSS_19	L12
VSS_2	A28
VSS_20	L18
VSS_21	J7
VSS_22	P3
VSS_23	V4
VSS_24	AD6
VSS_25	AD4
VSS_26	AB7
VSS_27	AC9

System Pin Name	Ball No.
VSS_28	V8
VSS_29	W9
VSS_3	A2
VSS_30	W10
VSS_31	AJ28
VSS_32	B29
VSS_33	U4
VSS_34	Y18
VSS_35	Y10
VSS_36	Y12
VSS_37	Y11
VSS_38	AA11
VSS_39	AA12
VSS_4	E5
VSS_40	G4
VSS_41	J4
VSS_42	G8
VSS_43	G9
VSS_44	M12
VSS_45	AF25
VSS_46	H7
VSS_47	AH29
VSS_48	V10
VSS_49	P6
VSS_5	D23
VSS_50	N4
VSS_51	L4
VSS_52	L8
VSS_6	E25
VSS_7	E6
VSS_8	F24
VSS_9	N15
VSSAN_HWM	D8
VSSIO_PCIECLK_1	P21
VSSIO_PCIECLK_10	T22
VSSIO_PCIECLK_11	T24

System Pin Name	Ball No.
VSSIO_PCIECLK_12	V20
VSSIO_PCIECLK_13	J23
VSSIO_PCIECLK_14	H23
VSSIO_PCIECLK_15	H26
VSSIO_PCIECLK_16	AA21
VSSIO_PCIECLK_17	AA23
VSSIO_PCIECLK_18	AB23
VSSIO_PCIECLK_19	AD23
VSSIO_PCIECLK_2	P20
VSSIO_PCIECLK_20	AA26
VSSIO_PCIECLK_21	AC26
VSSIO_PCIECLK_22	Y20
VSSIO_PCIECLK_23	W21
VSSIO_PCIECLK_24	W20
VSSIO_PCIECLK_25	AE26
VSSIO_PCIECLK_26	L21
VSSIO_PCIECLK_27	K20
VSSIO_PCIECLK_3	M22
VSSIO_PCIECLK_4	M24
VSSIO_PCIECLK_5	M26
VSSIO_PCIECLK_6	P22
VSSIO_PCIECLK_7	P24
VSSIO_PCIECLK_8	P26
VSSIO_PCIECLK_9	T20
VSSIO_SATA_1	Y14
VSSIO_SATA_10	AF16
VSSIO_SATA_11	AG8
VSSIO_SATA_12	AH7
VSSIO_SATA_13	AH11
VSSIO_SATA_14	AH13
VSSIO_SATA_15	AH16
VSSIO_SATA_16	AJ7
VSSIO_SATA_17	AJ11
VSSIO_SATA_18	AJ13
VSSIO_SATA_19	AJ16
VSSIO_SATA_2	Y16

System Pin Name	Ball No.
VSSIO_SATA_3	AB16
VSSIO_SATA_4	AC14
VSSIO_SATA_5	AE12
VSSIO_SATA_6	AE14
VSSIO_SATA_7	AF9
VSSIO_SATA_8	AF11
VSSIO_SATA_9	AF13
VSSIO_USB_1	A9
VSSIO_USB_10	F9
VSSIO_USB_11	F12
VSSIO_USB_12	F14
VSSIO_USB_13	F16
VSSIO_USB_14	C9
VSSIO_USB_15	G11
VSSIO_USB_16	F18
VSSIO_USB_17	D9
VSSIO_USB_18	H12
VSSIO_USB_19	H14
VSSIO_USB_2	B10
VSSIO_USB_20	H16
VSSIO_USB_21	H18
VSSIO_USB_22	J11
VSSIO_USB_23	J19
VSSIO_USB_24	K12
VSSIO_USB_25	K14
VSSIO_USB_26	K16
VSSIO_USB_27	K18
VSSIO_USB_28	H19
VSSIO_USB_3	K11
VSSIO_USB_4	B9
VSSIO_USB_5	D10
VSSIO_USB_6	D12
VSSIO_USB_7	D14
VSSIO_USB_8	D17
VSSIO_USB_9	E9
VSSPL_SYS	M20

System Pin Name	Ball No.
VSSXL	M19
WAKE#/GEVENT8#	H6

